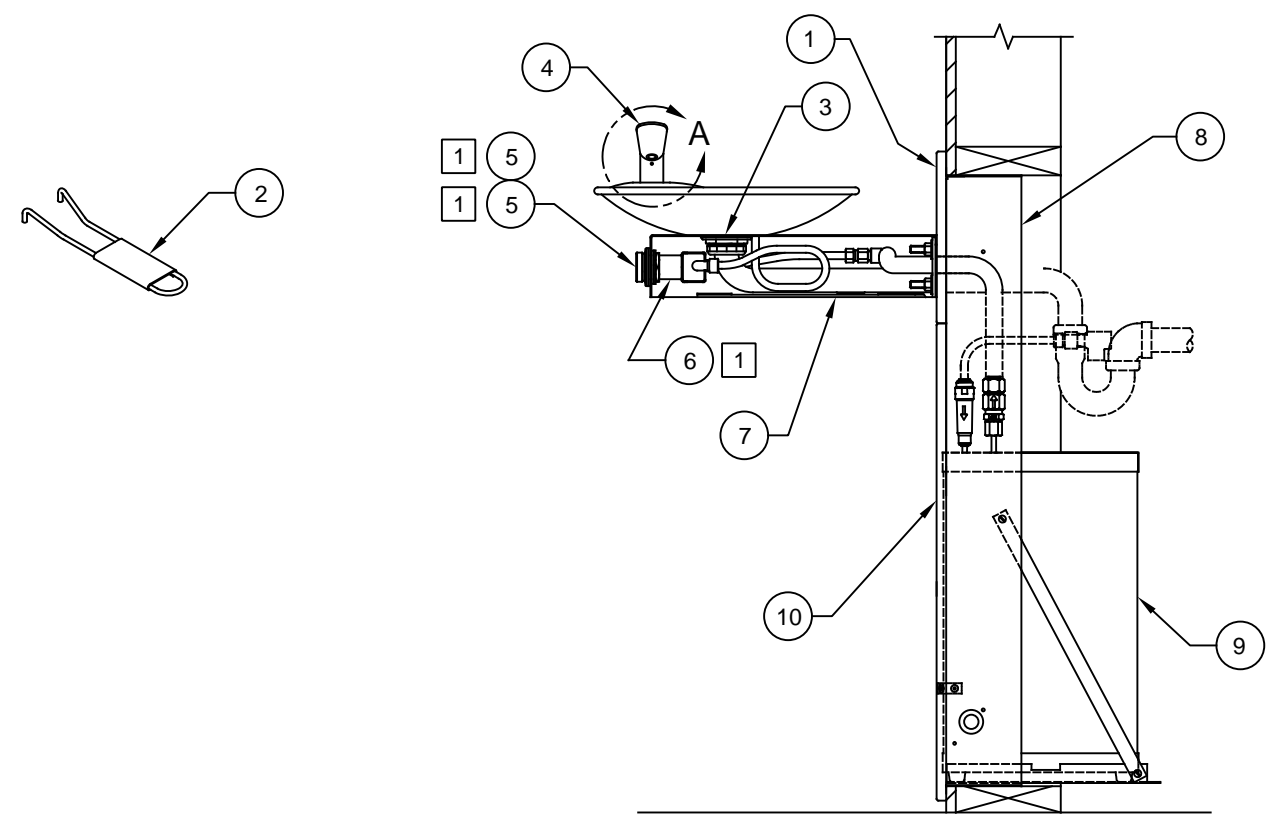
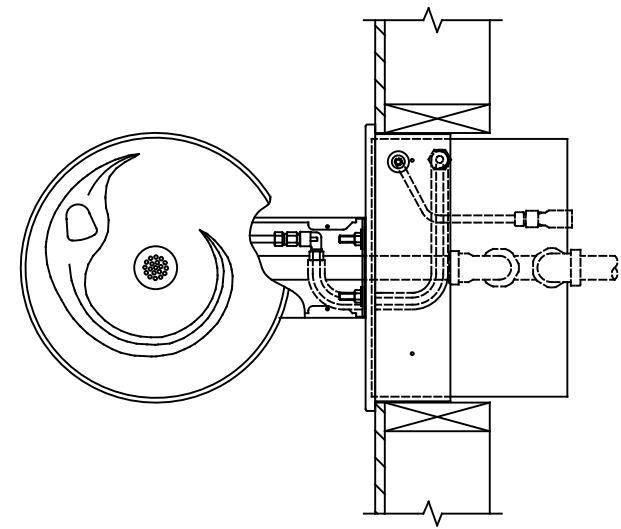
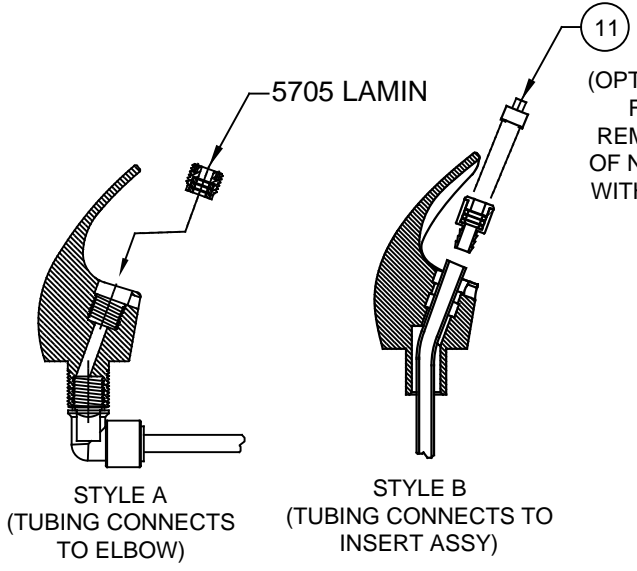


| ITEM | MODEL | | DESCRIPTION |
|------|------------|------------|--|
| | H1001.8 | H1001.8HPS | |
| 1 | BP6 | BP6HPS | BACK PANEL |
| 2 | 0006983506 | 0006983506 | SPANNER WRENCH |
| 3 | 6463 | 6463PCP | STRAINER ASSY |
| 4 | 5705 | 5705 | HEAD W/LAMINAR INSERT (STYLE A OR STYLE B) |
| 5 | PBA6 | PBA6 | PUSH BUTTON, FLANGED |
| 6 | 5874PBF | 5874PBF | PUSH BUTTON W/VALVE |
| 7 | PBM1000 | PBM1000 | ACCESS PLATE |
| 8 | MTGFR.SM | MTGFR.SM | MOUNTING FRAME |
| 9 | HCR8 | HCR8 | CHILLER |
| 10 | 0002626701 | 0002626719 | GRILLE |
| 11 | 0002082253 | 0002082253 | DRIVER, NOZZLE .25 HEX |
| 12 | VRK5874 | VRK5874 | VALVE REPAIR KIT |

NOTES:

- 1 5874PBF (ITEM 6) INCLUDES VRK5874 CARTRIDGE ASSEMBLY (ITEM 12) AND PBA6 FLANGED PUSH BUTTON (ITEM 5).



PARTS BREAKDOWN

WHEN ORDERING PARTS PLEASE SPECIFY MODEL NUMBER.



Haws

1455 KLEPPE LANE
SPARKS, NEVADA 89431
(775) 359-4712 FAX (775) 359-7424
E-MAIL: HAWS@HAWS.CO.COM
WEBSITE: WWW.HAWS.CO.COM

| | | | | |
|----------|-------------|------|--------------------|-------------------------------|
| ECN NO. | REVISED PER | BY | MODEL(S) | PART NUMBER |
| | ECN: 5190 | JP | H1001.8/H1001.8HPS | 0002080246 |
| DRAWN | DATE | CHKD | DRINKING FOUNTAIN | REVISION |
| RTM | 10-12-05 | VWC | | 18 |
| APPROVED | DATE | | SCALE: 1:10 | DRAWING TYPE: PARTS BREAKDOWN |
| FV | 07/08/17 | | SIZE: A | SHEET 1 OF 1 |