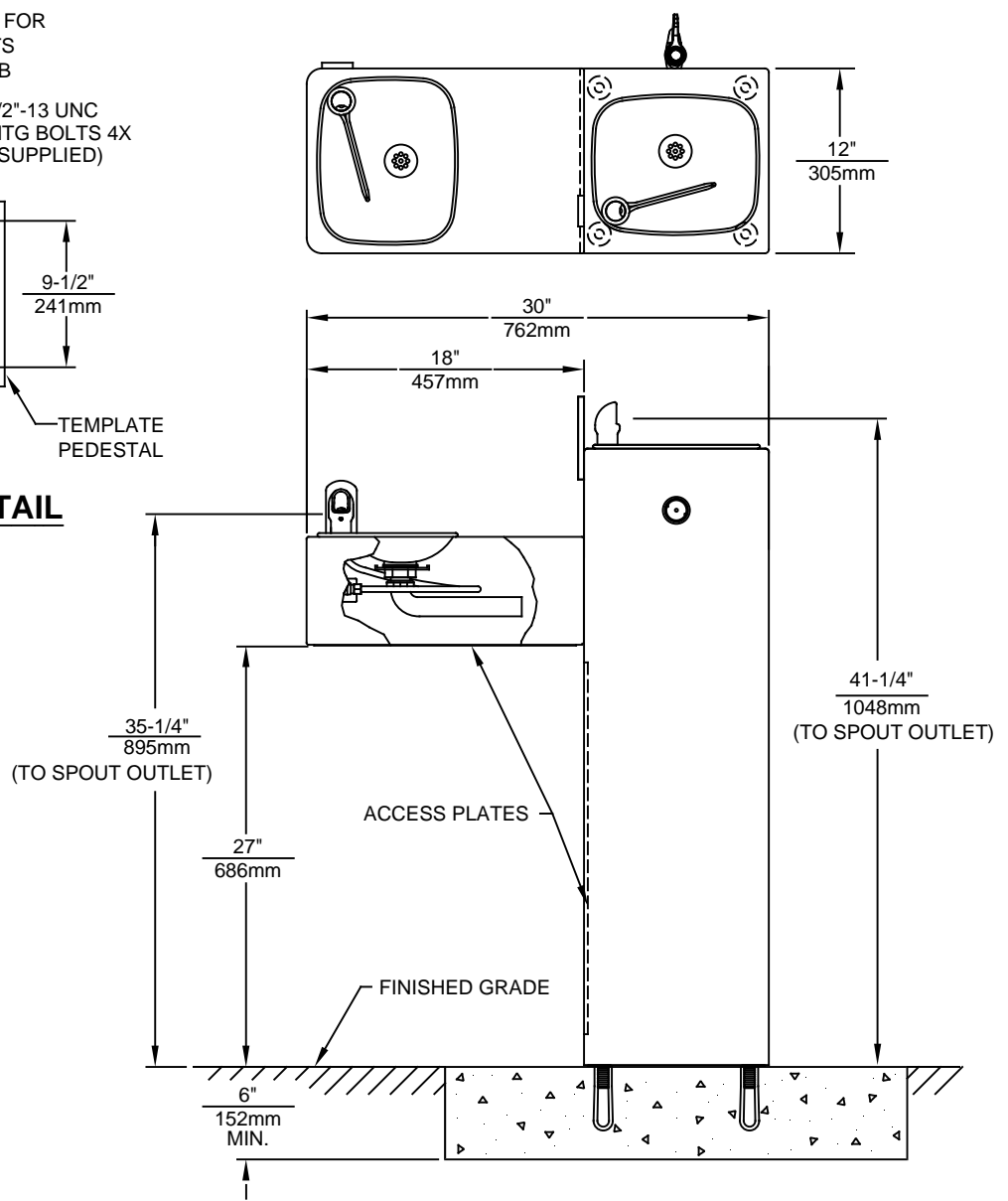
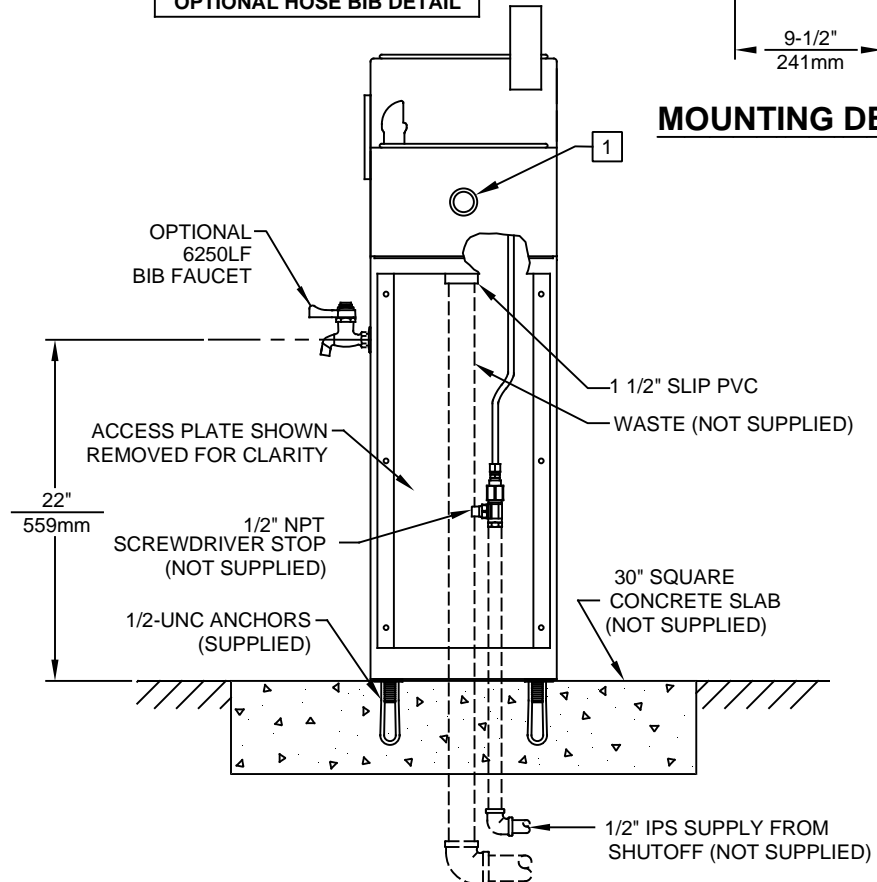



MOUNTING DETAIL



NOTES:

- 1 REFER TO 5874 SERIES OPERATION AND MAINTENANCE MANUAL FOR PUSH BUTTON AND VALVE INSTALLATION/MAINTENANCE INSTRUCTIONS. (NOTE: THIS FOUNTAIN UTILIZES A HIGH FLOW CARTRIDGE TO ENSURE PROPER WATER FLOW).



1455 KLEPPE LANE
SPARKS, NEVADA 89431
(775) 359-4712 FAX (775) 359-7424
E-MAIL: HAWS@HAWSCO.COM
WEBSITE: WWW.HAWSCO.COM

ECN NO.	REVISED PER	BY:	MODEL(S)	PART NUMBER
	ECN: 5189	JP	3300/3300G	0002077341.D
DRAWN:	DATE:	CHKD.:		REVISION
CJL	09/92	VWC		21
APPROVED:	DATE:	SCALE:	DRAWING TYPE:	INSTALLATION
FV	07/07/17	N/A		SIZE: A SHEET 1 OF 1