

FEATURES & BENEFITS

SAFETY

8" x 10-3/4" (20.3 x 27.3 cm) universal emergency sign make the unit easily detected in an emergency. Test card to record weekly checks helps maintain the unit's best working quality.

MOUNTING

Wall-mounted design with wall hook allows for easy locating as well as a space efficient piece of emergency equipment.

HOSE

The 12' (365.8 cm) recoil swivel hose delivers an extended coverage area and is pressure rated at 200 psi (13.8 bar) to optimize durability.

EYE/FACE WASH VALVE

Valve is designed so full continuous flow occurs with the simple squeeze of a lever providing an easy start to the irrigation process.

EYE/FACE WASH

AXION[®] MSR eye/face wash head (patent pending) uses an inverted directional laminar flow to sweep contaminants away from the vulnerable nasal cavity.

OPTIONS

- Vacuum Breaker: Model SP212 is a chrome-plated brass vacuum breaker.
- Valve Repair Kit: Model VRKSP248 valve repair kit for Model SP248 squeeze handle valve.
- Emergency Alarm System : Model 9001.5, 1/2" 120 VAC emergency alarm and light system. Buzzer and flashing light are activated by a 1/2" IPS double pole, double throw flow switch.
- Thermostatic Mixing Valve: Model 9201EFE AXION[®] Emergency Tempering Valve thermostatically mixes hot and cold water to provide a safe fluid supply for a single emergency eye/face wash, with a flow rate of 12 gpm (38.8 L).

For more information, visit www.hawsc.com or call (888) 640-4297.

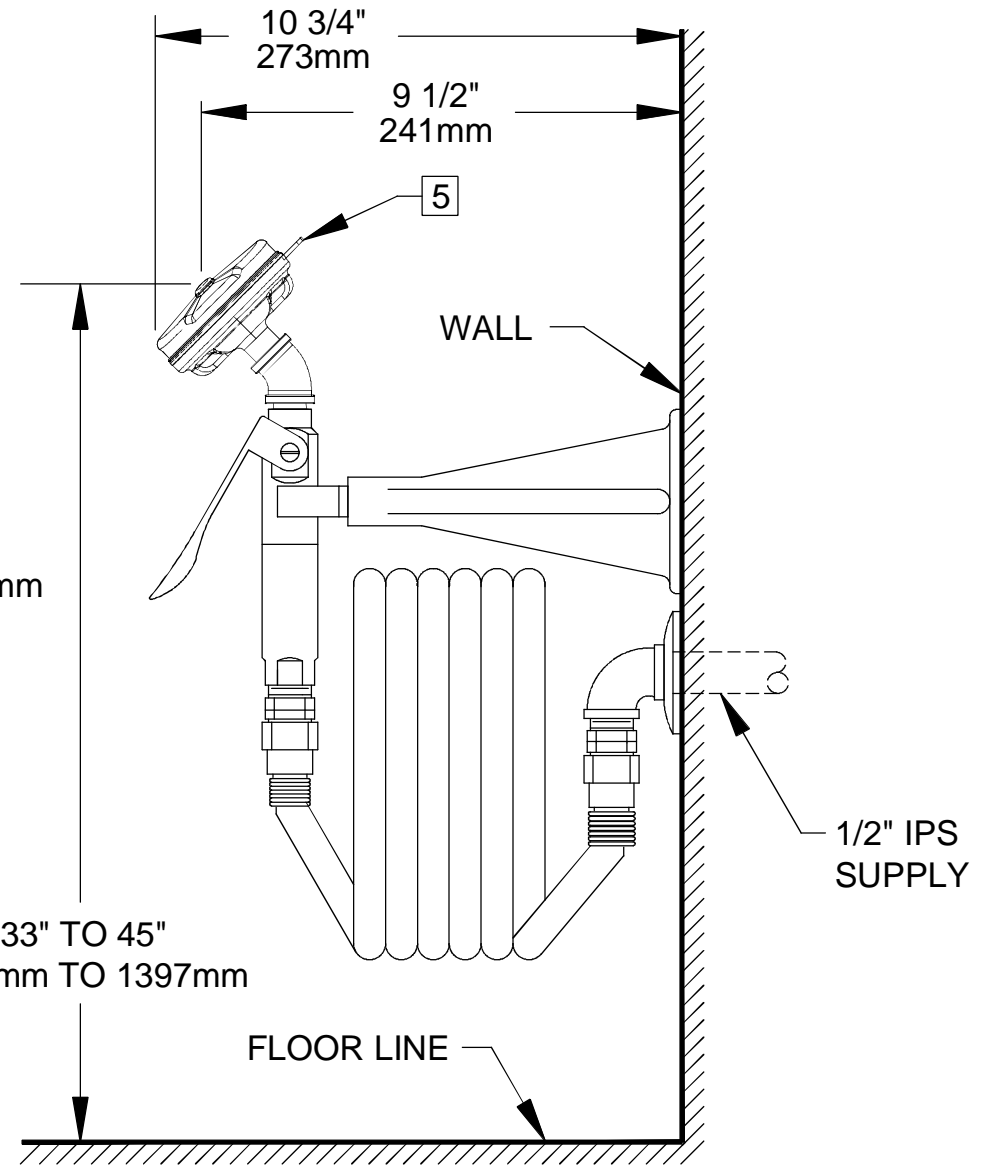
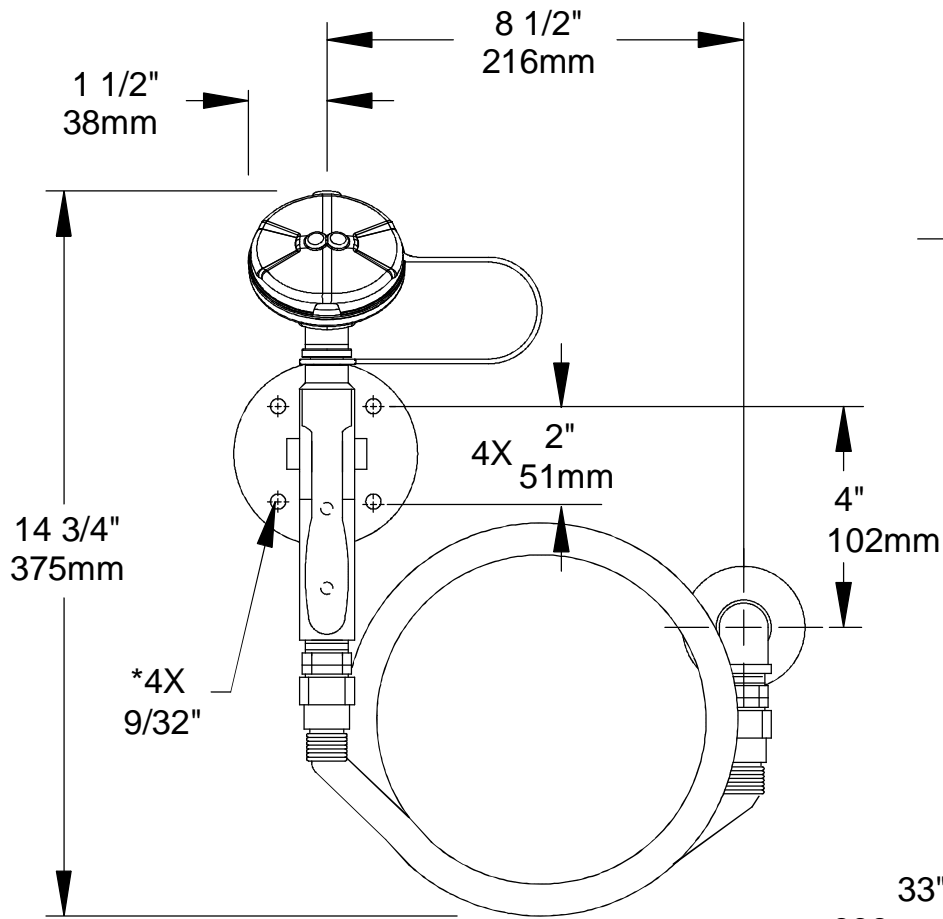


SPECIFICATIONS

Model 8905 wall-mounted eye/face wash and body spray with AXION[®] MSR eye/face wash head which features an inverted directional laminar flow for Zero Vertical Velocity[™] supplied by an integral 3.7 gpm flow control, chrome plated brass stay-open squeeze lever valve, 12-foot (365.8 cm) yellow recoil hose with chrome-plated swivel fitting at one end, universal sign, and 1/2" NPT inlet. In order to comply with state codes the use of a vacuum breaker is required with all hand held eye/face wash body spray units (Haws offers model SP212).

APPLICATIONS

Perfect for the environment where safety is of the utmost importance and an extended coverage area may be needed. When installed properly, the functionally constructed, deck mounted design is space efficient. Unit 8905 is certified by CSA to meet the ANSI Z358.1 Standard for Emergency Eyewash and Shower Equipment.



5 ASSEMBLE EYE/FACE WAS ASSEMBLY TO HOSE; ORIENT TAB ON ASSEMBLY AWAY FROM USER.

NOTES:

1. DIMENSIONS MAY VARY $\pm 1/2"$ (12.7mm).
2. IN ORDER TO COMPLY WITH STATE CODES, THE USE OF A VACUUM BREAKER IS REQUIRED WITH ALL HAND HELD EYE/FACE WASH AND BODY SPRAY UNITS (HAWS OFFERS MODEL SP212).
3. TO COMPLY WITH ANSI Z358.1-2009 FOR EMERGENCY EYEWASH OR EYE/FACE WASH EQUIPMENT:
 - UNIT SHALL BE INSTALLED IN ACCORDANCE WITH MANUFACTURER'S INSTRUCTIONS AND ACCEPTABLE PLUMBING PRACTICES.
 - EYEWASH OR EYE/FACE WASH SHALL BE POSITIONED WITH NOZZLES NOT LESS THEN 83.8 CM (33 IN.) AND NO GREATER THAN 114.3 CM (45 IN.) FROM SURFACE ON WHICH USER STANDS AND 15.3 CM (6 IN.) MINIMUM FROM WALL OR NEAREST OBSTRUCTION.

*4. MOUNTING HARDWARE SUPPLIED BY OTHERS.

| | | | |
|---|----------------|---|-----------------------------|
|  | | 1455 KLEPPE LANE SPARKS, NEVADA 89431 (775) 359-4712 FAX (755) 359-7424 E-MAIL: HAWS@HAWSCO.COM WEBSITE: WWW.HAWSCO.COM | |
| | | ECN NO. REVISED PER BY: ECN: 4938 VWC: | MODEL(S) |
| DRAWN: CH | DATE: 08/95 | CHKD: | DRAWING NO. REV |
| APPROVED: FV | DATE: 01/08/15 | SCALE: 1:4 | SHEET 1 OF 1 |
| 8905 WALL MTD EYE/FACE WASH | | INSTALLATION | 0002080210.D 12086A00 11 |