



COMMERCIAL-GRADE Residential Gas Water Heaters

PREMIER® VERSATILE POWER DIRECT VENT UP TO 0.88 UNIFORM ENERGY FACTOR (96% THERMAL EFFICIENCY)

Today's homes demand more hot water than ever before, and the high efficiency Premier® power direct vent gas water heaters offer unprecedented levels of performance to meet the need. The fully condensing Premier® design is so advanced, it can deliver "continuous hot water for shower after shower" at a constant flow of over 4 gallons per minute.

ENERGY STAR® QUALIFIED

ADVANCED ELECTRONIC CONTROL

- Exclusive State designed touch display control system
- Precise temperature control
- Built-in diagnostics and operational information

CONDENSING DESIGN

- High efficiency operation with up to 0.88 Uniform Energy Factor (96% thermal efficiency) to save money on operating costs
- Equipped with condensate drain tee

HELICAL INTERNAL HEAT EXCHANGER

- Spiral heat exchanger keeps hot combustion gases in the tank longer to lengthen the heat transfer cycle
- Positioned in the center of the tank for more even heat distribution
- Spiral design reduces lime scale formation on the heat exchanger to maintain high efficiency operation over time

POWER DIRECT VENT DESIGN

- Combined vertical and horizontal runs terminating through an outside wall. Vents using PVC, CPVC, or polypropylene pipe. Canadian installations require ULC S636 approved PVC, CPVC or polypropylene pipe for venting.
- 2" pipe, vents up to 45 equivalent feet
- 3" pipe, vents up to 125 equivalent feet

SIDE-MOUNTED HOT AND COLD RECIRCULATING TAPS

- Allows Premier® to be installed as part of combination space heating/water heating applications

AVAILABLE IN NATURAL GAS OR PROPANE

TOP FIRED ULTRA-LOW NOX GAS BURNER

- Enhanced Ultra-low NOx burner complies with SCAQMD Rule 1146.2 and other Air Quality Management Districts with similar requirements for NOx emissions of less than 14 ng/j

BLUE DIAMOND® GLASS COATING

- Provides superior corrosion resistance compared to industry standard glass lining.

HEAVY-DUTY ANODIC PROTECTION

- Provides even more protection against corrosion

CSA CERTIFIED AND ASME RATED T&P RELIEF VALVE

AVAILABLE IN NATURAL GAS OR PROPANE

MAXIMUM HYDROSTATIC WORKING PRESSURE: 150 PSI

CODE COMPLIANCE

- Meets IBC and ICC National Codes.
- Meets the thermal efficiency and standby loss requirements of the U.S. Department of Energy and current edition of ASHRAE/IES 90.1.

DESIGN-CERTIFIED BY UNDERWRITERS LABORATORIES

- Certified at 300 psi test pressure and 150 psi working pressure. Listed according to ANSI Z21.10.3 - CSA 4.3 standards governing storage tank-type water heaters.

6-YEAR LIMITED TANK AND PARTS WARRANTY

- For complete information, consult written warranty or go to statewaterheaters.com

*Continuous hot water based on 4.31 GPM continuous flow with a 65°F inlet water temperature, 110°F outlet temperature, and a unit installed per the manufacturer's instructions.



MODEL SHOWN GP6 75
SERIES 300/301



SOLID. STATE.

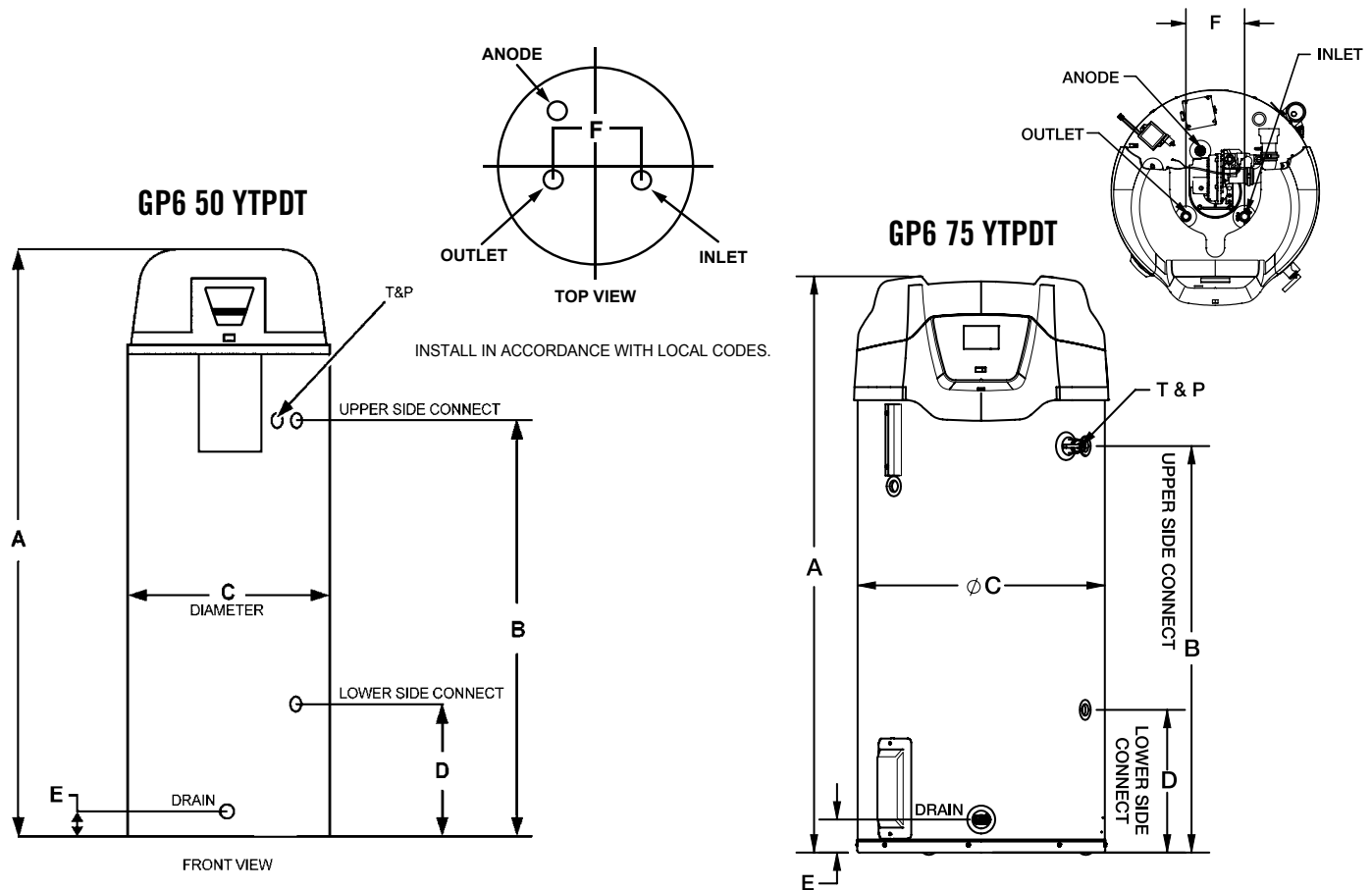


COMMERCIAL-GRADE

Residential Gas Water Heaters

Model Number	Nominal Capacity	Rated Storage Volume	First Hour Rating (Gallons)	UEF	Thermal Efficiency	Recovery @ 90° Rise Gallon Per Hour	BTU Input Per Hour	Vent Size	Dimensions in Inches		Approx. Shipping Weight (lbs)
									Height to Top of Heater	Diameter	
GP6 50 YTPDT	50	49	100	0.88	96%	129	100,000	2 or 3	66-3/4	22	255
GP6 75 YTPDT	75	74	130	0.86	96%	129	100,000	2 or 3	64-3/4	27-3/4	382

Available in Propane (LP) gas. Change YTPDT to HTPDT for Propane (LP).
 Models certified for sea level to 10,100 ft. elevation.
 Optional Condensate Neutralizer Kit available (Part Number 100112380).



FOR MORE INFORMATION ON CALL 1-800-365-0024. STATE WATER HEATERS RESERVES THE RIGHT TO MAKE PRODUCT CHANGES OR IMPROVEMENTS WITHOUT PRIOR NOTICE.