



Architect/Engineering Specifications:

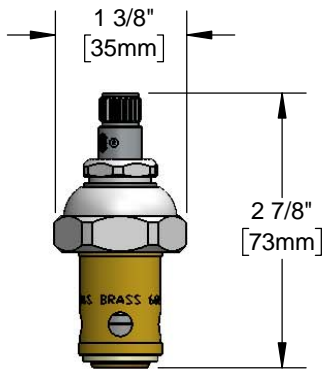
Replacement parts kit for T&S Eterna cartridges with spring checks. Certified to ASME A112.18.1 / CSA B125.1, NSF 61–Section 9 and NSF 372.

Job Name _____

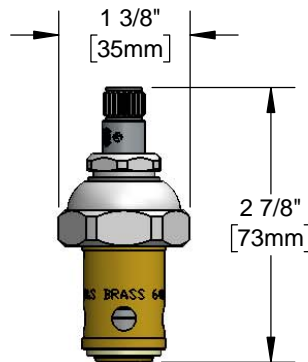
Model Specified _____ Quantity _____

Variations Specified _____

Date _____



Cold Spindle
(Assembled Item
Shown for Clarity)



Hot Spindle
(Assembled Item
Shown for Clarity)



Cold Spindle
(Assembled Item
Shown for Clarity)



Hot Spindle
(Assembled Item
Shown for Clarity)

Features & Benefits:

- RH and LH Eterna removable inserts (includes washers)
- RH and LH spindles
- Check seat washers, springs and quarter turn sleeves
- Bonnet assemblies (includes seals and gaskets)

Product Compliance:

- ASME A112.18.1 / CSA B125.1
- NSF 61 - Section 9
- NSF 372 (Low Lead Content)

Warranty: One Year (Limited)

Performance Data:

- N/A

