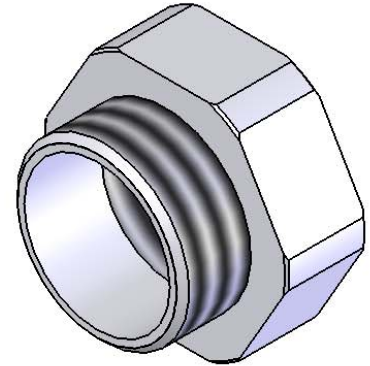
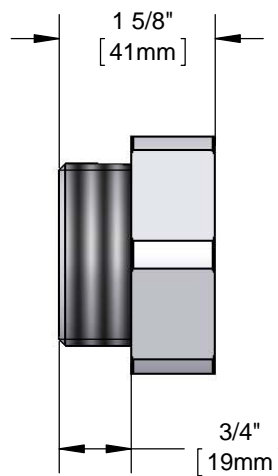
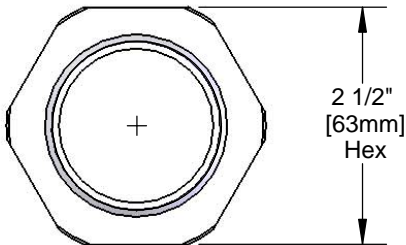




**Architect/Engineering Specifications:**

Chrome plated brass rotary waste valve 2" NPT female x 1 1/2" NPT male adapter.

Job Name \_\_\_\_\_  
 Model Specified \_\_\_\_\_ Quantity \_\_\_\_\_  
 Variations Specified \_\_\_\_\_  
 Date \_\_\_\_\_



**Features & Benefits:**

- Chrome plated brass rotary waste valve adapter
- 2" NPT female x 1 1/2" NPT male adapter
- Material: Chrome plated brass body

**Product Compliance:**

- N/A

**Warranty:** One Year (Limited)

**Performance Data:**

- N/A

