

**SPECIFICATIONS**

**PARMA™ TWO HANDLE WALL MOUNT LAVATORY FAUCET**

**Model**

D316658T

**Description**

- Ceramic disc valves
- 10" spout length
- Includes metal touch down drain DA505918 with color matching cap and flange and chrome plated tailpiece
- 3 hole wall mount
- 1.2gpm (4.5L/min) maximum flow rate @60 psi
- Meets CEC Requirement

**Standards**



NSF/ANSI 372

• NSF/ANSI 372



• ASME A112.18.1M/A112.18.1

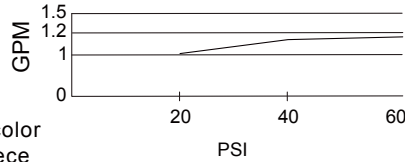


• ADA Accessibility Guidelines for Buildings and Facilities - 309.4 Operation for Operable Parts

**Warranty**

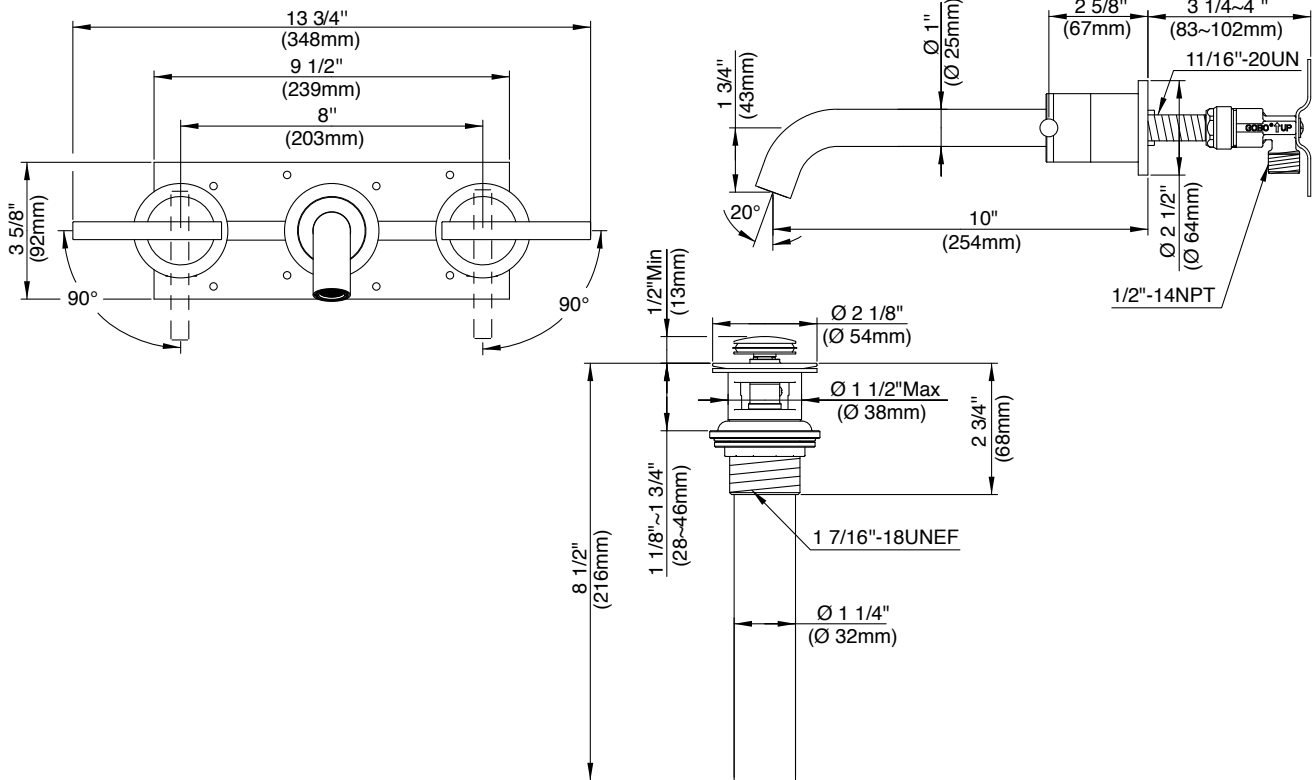
Danze products are covered by a manufacturer's limited "lifetime" warranty for manufacturing defects.

**Flow Rate**



**Finishes Available**

- Chrome
- Other: Refer to Price List for additional finish



**Submittal Information:**

Job Name: \_\_\_\_\_  
 Contractor: \_\_\_\_\_

Location: \_\_\_\_\_  
 Contact #: \_\_\_\_\_