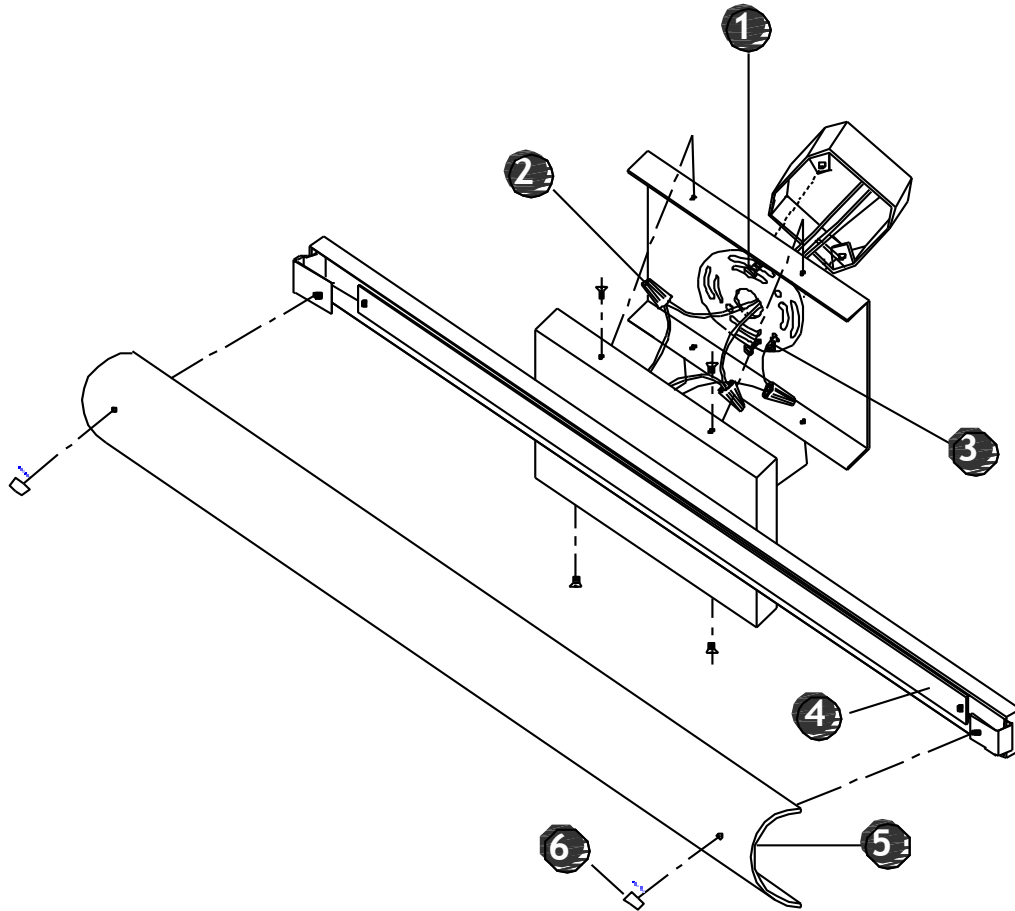
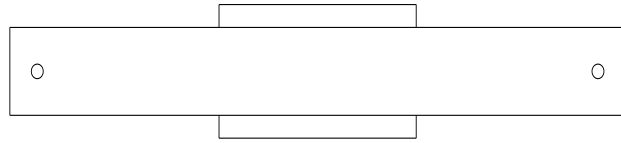


PARK HARBOR™

PHVL2272LEDPC



No.	Part Name	Spanish	French	Part No.
1	Mounting Screw (2pcs)	Tornillos de montaje (2pcs)	Vis de montage (2pcs)	PHSP2272HDWRBNWTY
2	Wire Nut (3pcs)	Empalme plástico (3pcs)	Capuchon de connexion (3pcs)	
3	Ground Screw (1pc)	Tornillo a tierra (1pc)	Vis de borne de terre (1pc)	
4	Glass Panel (1pc)	Panel de vidrio (1pc)	Panneau en verre (1pc)	PHSPPGLSPNL11WTY
5	Glass (1pc)	Vidrio (1pc)	Verre (1pc)	PHSPPGLSSH11WTY
6	Nut (2pcs)	Tuerca (2pcs)	Écrou (2pcs)	PHSPNUT6WTY