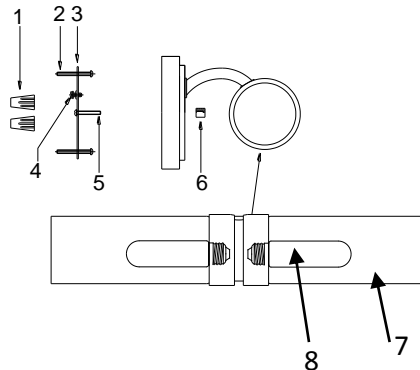
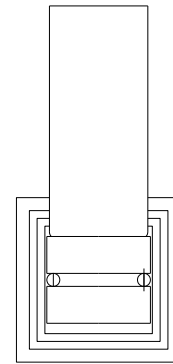
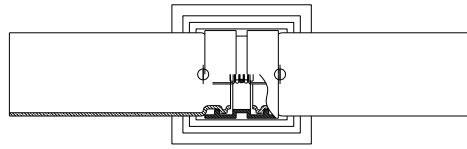


# PARK HARBOR™

PHVL2101L/2102L BN/PN/PC



Como Parts Breakdown

No.	Part Name	Spanish	French	Part No.
1	Wire connectors (2pcs)	Conector de cable (2pcs)	Capuchon de connexion (2pcs)	PHSP210HDWRBNWTY PHSP210HDWRPNWTY PHSP210HDWRPCWTY
2	Screw (2pcs)	Tornillo (2pcs)	Vis (2pcs)	
3	Mounting bar (1pc)	Barra de montaje (1pc)	Barrette de fixation (1pc)	
4	Ground screw (1pc)	Tornillo a tierra (1pc)	Vis de borne de terre (1pc)	
5	Screw (1pc)	Tornillo (1pc)	Vis (1pc)	
6	Finial (2pcs)	Remate (2pcs)	Faîteau (2pcs)	
6	Finial (1pc)	Remate (1pc)	Faîteau (1pc)	PHSP210FINBNWTY PHSP210FINPNWTY PHSP210FINWTY
7	Glass (1pc)	Vidrio (1pc)	Verre (1pc)	PHSP210GLSSWTY
8	T10 bulb (1pc)	T10 Bombilla (1pc)	T10 Ampoule (1pc)	PHSPGBT10WTY