

Fuzion 7242 Pure Air Bath



Product Codes beginning with: FUZ7242ACR

Also applies to products sold under part numbers: MD10, MD30

TECHNICAL SPECIFICATIONS

	English	Metric
Outer Dimensions	72" L x 42" W x 24" H	1829 mm L x 1067 mm W x 610 mm H
Interior Dimensions (bottom of bath) L x W (Mid) x W (End)	46" L x 27" W x 27" W	1168 mm L x 686 mm W x 686 mm W
Drain/Blower Configuration	Center drain/Right end blower	Center drain/Right end blower
Bath Weight (empty)	155 lbs	70 kg
Total Weight/Floor Loading	1,305 lbs 62.1 lbs/ft ²	592 kg 303 kg/m ²
Operating Gallonage (min-max)	57 (min) 108 (max) U.S. Gals	216 (min) 409 (max) L
Electrical Specifications	Each component requires a separate, dedicated GCFI protected circuit(s)	
Blower		120V 15A 60HZ
Chromatherapy (if selected)		120V 15A 60HZ

FEATURES, UPGRADES & ACCESSORIES

Material Type: High-Gloss Acrylic

Install Type: Drop-in with wood frame or Undermount

Available Colors: White (W), Almond (A), Oyster (Y), Black (B)

Cut-out: 70" x 40" or Undermount Template GR23000

Standard (Included) Features:

Chromatherapy lighting, 800w blower, bottom and side air channels, infinity edge overflow, 2 pillows, chrome twist and turn drain (for alternate finishes, replace with standard parts, 1.5" drain elbow)

Available Control Systems:

J4 Luxury Control Panel (standard)

J5 Luxury LCD Control Panel

Available Upgrades:

900w blower (with J5 LCD Control Panel)

Available Accessories:

GU05 Optional wood frame (specify wood) 900: Unfinished, 935: Wenge 936: Teak

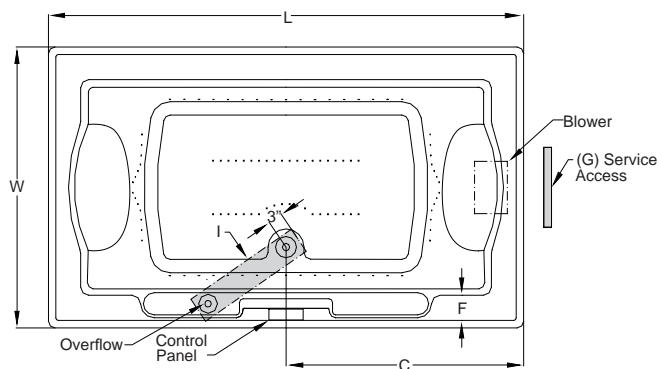
GQ88 Light Chromatherapy Add-on Kit

DD50 Replacement Pillow (specify color) 959: White, 958: Almond, 969: Oyster

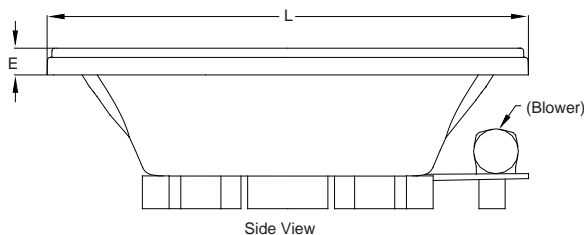
***Faucet installation note:**

Selecting a faucet for rim mounting: The combined thickness at the rim of the bathtub shell and optional wood deck is 2" (50 mm) nominal. The length of the faucet tailpiece(s) must be long enough to extend past this dimension and have ample clearance to assemble any hardware (i.e. locknut, water supply fittings, etc.) necessary for installation. For under-mount units, the combined thickness of the bathtub shell is 1/2" (12 mm) nominal and the undermount deck should not exceed the length of the faucet tailpiece(s), including any assembly hardware.

KEY DIMENSIONS

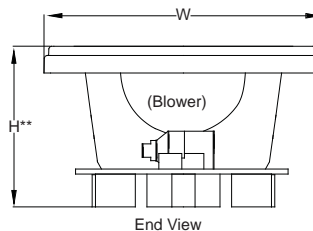


*Deck width reflects only area indicated on detail.



NOTE: Graphics May Not be to Scale

Letter	Description	English	Metric
L	Outer Length	72"	1829 mm
W	Outer Width	42"	1067 mm
H	Overall Height**	24"	610 mm
A	Overflow Height	17"	432 mm
B	Long Edge to Drain Center	10 1/4"	260 mm
C	Short Edge to Drain Center	36"	914 mm
D	Drain Shoe Length	8 1/2"	216 mm
E	Deck Height**	4"	102 mm
F	Deck Width*	3 1/2"	95 mm
G	Service Access Dimensions	12" H x 18" L	305 mm x 457 mm
I	Floor Cut-out for Drain	18 1/2" x 4"	470 mm x 102 mm



**Height of tub only, optional wood frame adds 1.25"

