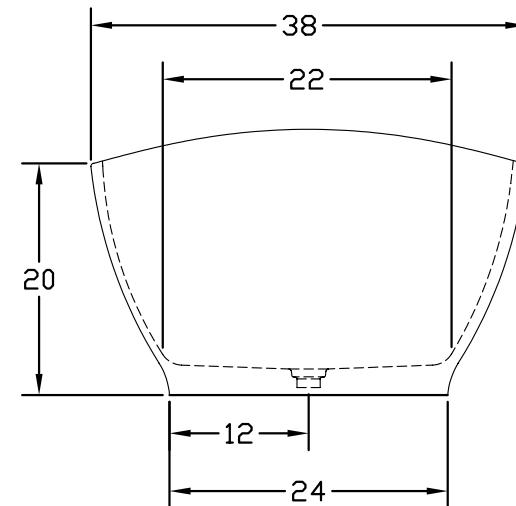
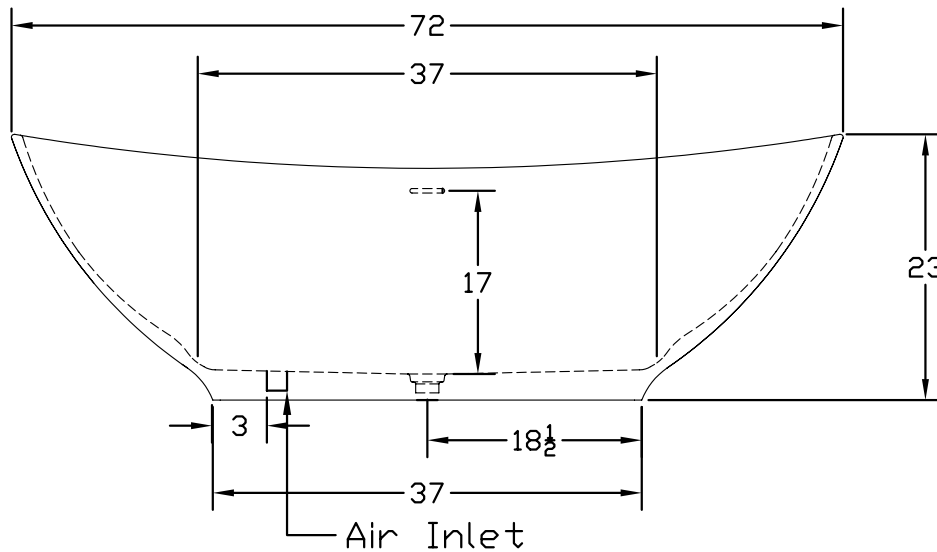


Overflow is Integral to the tub

Both Backrests have lumbar support

Tub is shown with Air System



HYDRO SYSTEMS, INC.

29132 Avenue Paine, Valencia, CA 91355
661.775.0686, fax 661.775.0668, www.hydrossystem.com

Note: The information contained on this drawing is the sole property of Hydro Systems, Inc. Any reproduction in part or as a whole without the written permission of Hydro Systems, Inc. is prohibited.

Title: **Metro Collection - Logan**

Date: March 3, 2012

Rev: Ø

Scale: None

Date:

Material: Hydroluxe solid Surface, 1/2" nominal thickness