

## Studio Duo Oval

All Hydro Systems Studio Collection bathtubs and whirlpools are backed by our exclusive 5 year limited warranty and include the standard features.

Available Sizes:

**66" L x 44" W x 18½" D**  
**60 Gallons**

**74" L x 44" W x 18¾" D**  
**80 Gallons**



### Studio Model Feature:

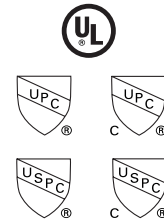
White/Almond/Bone/Natural  
Acrylic/Fiberglass Bathtub  
Integral Wood Base  
6 Jets Adjustable/Directional  
Air Switch  
Silent Air Induction  
Anti-Vortex Safety Suction  
1¼ hp UL Listed Pump, mounted

### Optional Equipment

**Available** as Tub only, Thermal Air, Whirlpool

#### Approvals & Listings

Commonwealth of Massachusetts  
UPC & USPC - US & Canada



### Electrical Component

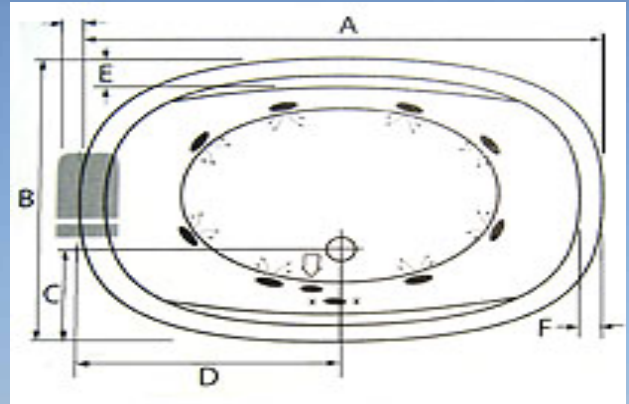
### Electrical Requirements

Whirlpool (1.25 HP Single Speed Pump, 120V)	1 Dedicated 20 Amp GFCI Circuit
Thermal Air (1 HP Blower with 600 Watt Heater)	1 Dedicated 20 Amp GFCI Circuit
Inline Heater	
600 W	Shares Pump Circuit
1500 W	1 Dedicated 20 Amp GFCI Circuit

# Studio Duo Oval



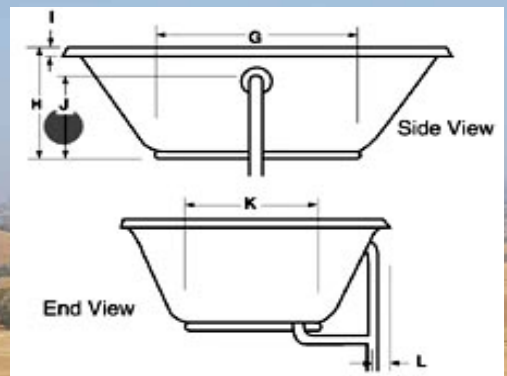
Must be set in Mortar Base



- Pump motor
- Jets
- Anti-vortex suction
- Overflow location

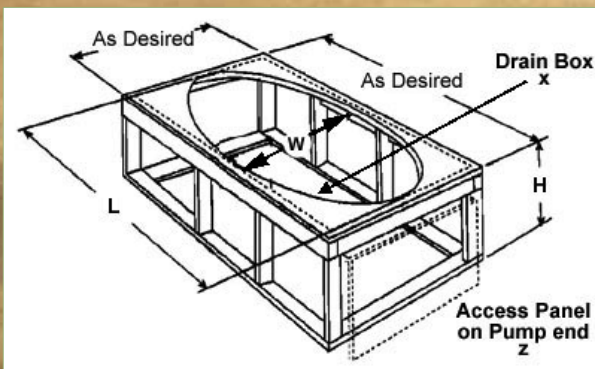
**AS SHOWN:**  
Whirlpool option w/ standard jets

**ALSO AVAILABLE:**  
Soaking Tub Only, Thermal Air,



Model	GC	AC	A	B	C	D	E	F	G	H	I	J	K	L	Jet	Pump	Wat.Cap.
6644	N/A	√	65½"	43¾"	12¾"	32¾"	4½"	3"	36"	18½"	1¼"	16"	26"	2¾"	6	1.25	60 gal.
7444	N/A	√	74¾"	44½"	12¾"	37¾"	5"	3"	43"	18¾"	1¼"	16¼"	26"	2¾"	6	1.25	80 gal.

## Framing Dimensions



## Island Drop-In

Model	(L)ength	(W)idth	(H)eight Finish
6644	64"	42"	17¾"
7444	72"	42"	18"

Disclaimer: Certain options or altering the pump/blower location may cause the pump/blower to extend beyond the tub decking. For cutout dimensions wait for unit to arrive. All specifications subject to change without notice.