



## KITCHEN SINKS

### SINGLE BOWL DUAL MOUNT SINK

Dimensions:

25" x 22" overall size

22-1/4" x 17" bowl size

10" bowl depth

3-1/2" drain diameter

Product Code:

MIRDM2522Z1 - 1 hole (brushed finish)

MIRDM2522Z4 - 4 hole (brushed finish)

- Type 304 stainless steel
- 16 gauge
- Sound absorption pads and coating to minimize vibration and sound and increase durability
- Top mount or undermount installation
- Available in 1-hole or 4-hole configuration
- Mounting hardware and template included
- Installation, operating, care and maintenance instructions included
- Minimum Cabinet Size: 27"
- Limited lifetime warranty
- Meets ASME/ANSI A 112.19.3M
- cUPC/IAPMO listed
- Recommended accessories
  - MB162SS Disposal fange with stopper, SS
  - MB162BN Disposal fange with stopper, BN
  - MB162CP Disposal fange with stopper, CP
  - MB162PN Disposal fange with stopper, PN
  - MB171SS Basket strainer, SS
  - MB171BN Basket strainer, BN
  - MB171CP Basket strainer, CP
  - MB171PN Basket strainer, PN
  - MIRG2217 Bottom grid, CP



# Mirabelle®

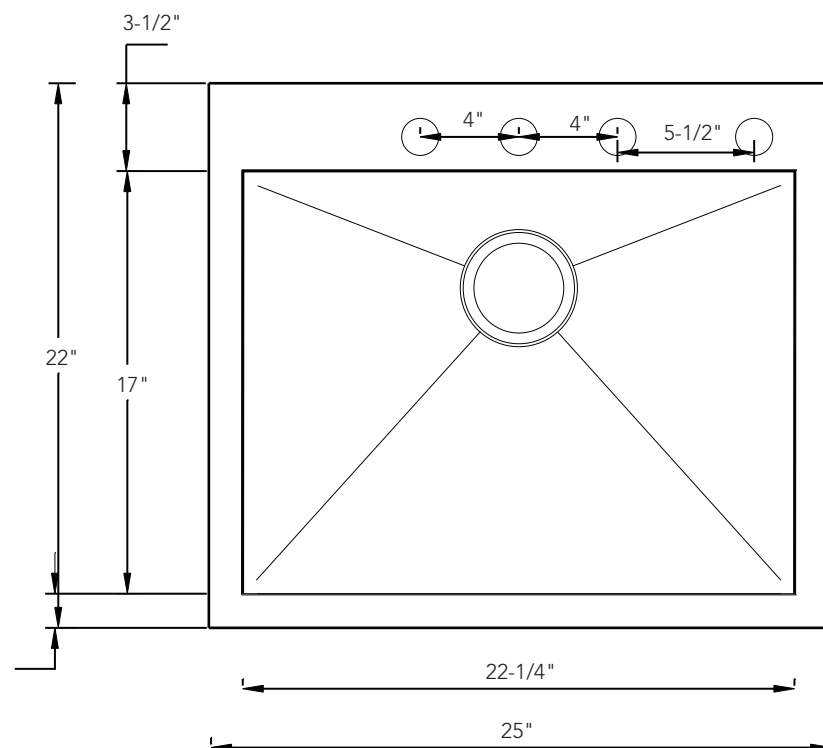
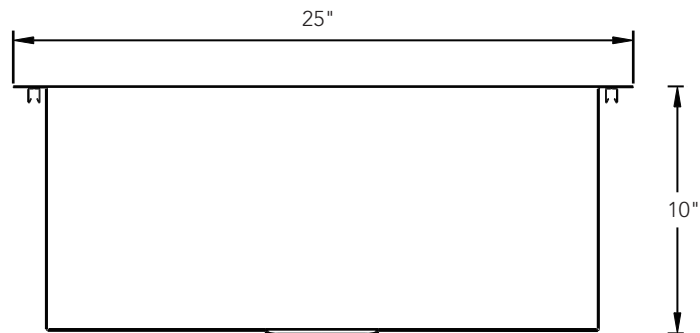
## KITCHEN SINKS

### SINGLE BOWL DUAL MOUNT SINK

Product Codes:

MIRDM2522Z1 - 1 hole (brushed finish)

MIRDM2522Z4 - 4 hole (brushed finish)



Note: All dimensions and specifications are nominal and may vary  $\pm$  1/4. Use actual products for accuracy in critical situations.