



BRADFORD WHITE[®]
W A T E R H E A T E R S

RESIDENTIAL GAS REPLACEMENT PARTS LIST
ATMOSPHERIC VENT Gas Water Heater



Models Covered:

RG1(30,40,50)T*(N,X)(-500,-600)

RG2(30,40,50)S*(N,X)(-500,-600)

RG2(30,40,50)T*(N,X)(-500,-600)

RG250L*(N,X)(-500,-600)

RG250R*(N,X)(-500)

***Denotes warranty year**

Includes Hydrojet[®]
Total Performance System

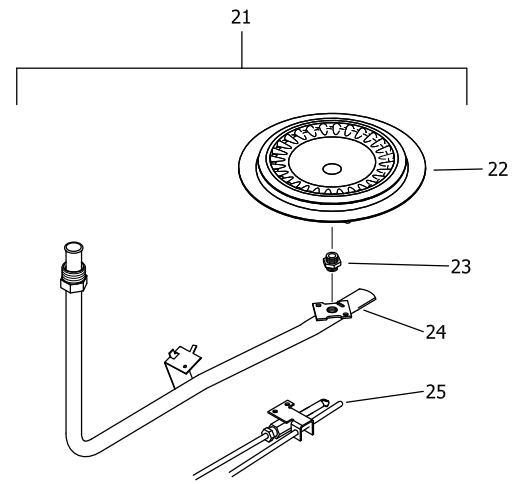
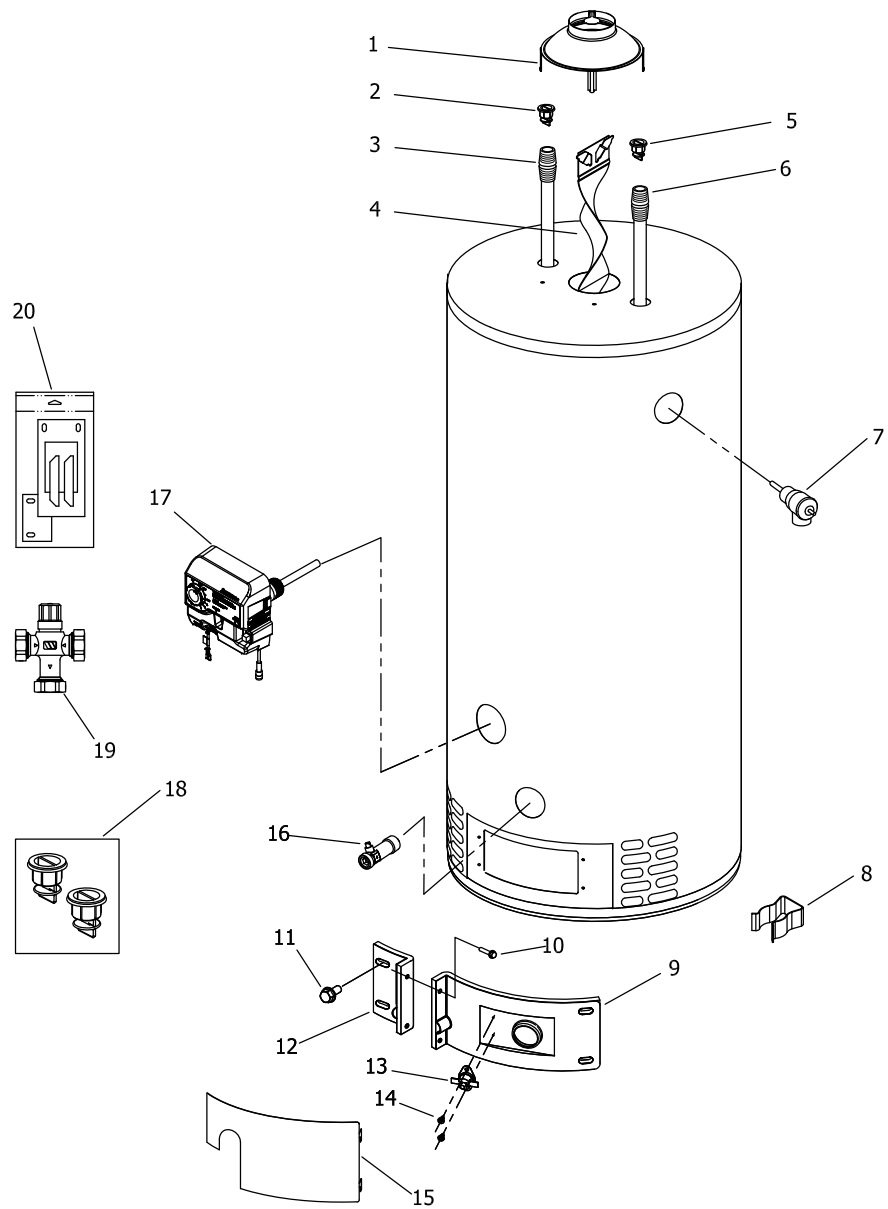
Effective: January, 2023
ECO 8248-3

**NOTE: BOTH MODEL AND SERIAL
NUMBERS ARE REQUIRED FOR
ORDERING REPLACEMENT PARTS**

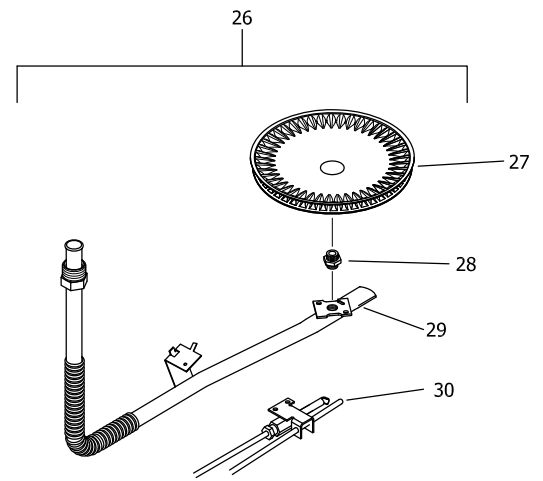
Dimensions and specifications
subject to change without notice.

WARNING
CANCER AND REPRODUCTIVE HARM
WWW.P65WARNINGS.CA.GOV

As required by the state of California Proposition 65.



NATURAL GAS BURNER ASSEMBLY



LP GAS BURNER ASSEMBLY

Item Description	Model	Model	Model
	RG130T*(N,X)	RG140T*(N,X)	RG150T*(N,X)
1 Draft Diverter	239-45787-00	239-45787-00	239-45787-00
2 Heat Trap Insert (Outlet)	415-45167-00	415-45167-00	415-45167-00
3 Hot Water Outlet Anode (Magnesium)▲#	415-47776-19	415-47776-19	415-47776-19
Hot Water Outlet (Aluminum)▲#	415-32999-42	415-32999-42	415-32999-42
Hot Water Outlet (A420 Aluminum)▲#	415-49560-10	415-49560-10	415-49560-10
4 Flue Baffle	243-51480-00	243-54463-00	243-54463-00
5 Heat Trap Insert (Inlet)	415-51556-00	415-51556-00	415-51556-00
6 Cold Water Inlet Dip Tube (PEX)▲▲	415-51230-19	415-51230-21	415-51230-18
7 T&P Relief Valve	415-40594-02	415-40594-02	415-40594-02
8 Feedline Clip	239-47475-00	239-47475-00	239-47475-00
9 Right Side Inner Door Complete	239-43963-01	239-43963-04	239-43963-06
10 Screw-#8-18 x 3/4 HWH	239-44195-00	239-44195-00	239-44195-00
11 Screw-#10-12 x 3/4 HWH	239-52581-00	239-52581-00	239-52581-00
12 Left Side Inner Door Complete	239-43968-14	239-43968-16	239-43968-18
13 Resettable Thermal Switch	415-43676-02	415-43676-02	415-43676-01
14 Screw-#6-20 x 3/8 PHCR	239-43967-00	239-43967-00	239-43967-00
15 Outer Door	239-43962-00	239-43962-00	239-43962-00
16 Brass Drain Valve	415-42351-02	415-42351-02	415-42351-02
17 Gas Control Direct Replacement (Nat. Gas)**	415-52907-01	415-52907-01	415-52907-01
Gas Control Direct Replacement (LP Gas)**	415-52909-01	415-52909-01	415-52909-01
Gas Control Universal Replacement (Nat. Gas)	415-53359-00	415-53359-00	415-53359-00
Gas Control Universal Replacement (LP Gas)	415-53360-00	415-53360-00	415-53360-00
18 Kit-Heat Trap Insert	265-51572-00	265-51572-00	265-51572-00
19 ASSE Approved Mixing Valve (Optional)	239-51778-00	239-51778-00	239-51778-00
20 Inner Door Gasket Kit	239-44078-00	239-44078-00	239-44078-00
Natural Gas Burner Assembly			
21 Nat Gas Burner Assembly Complete*** **	265-51668-01-39	265-51668-02-35	265-47439-03-35
22 Nat. Gas Burner**	228-42506-00	228-42506-00	228-42506-00
23 Nat. Gas Main Burner Orifice** (0Ft. to 2,000Ft.)	234-41034-39	234-41034-35	234-41034-35
Nat. Gas High Altitude Orifice 2,001Ft. to 7,000Ft. (-475 model suffixes)**	234-41034-43	234-41034-39	234-41034-39
Nat. Gas High Altitude Kit 7,001Ft. to 10,000Ft.	234-41034-44	234-41034-42	234-41034-42
24 Feedline	233-48094-01	233-48094-02	233-48094-03
25 Nat. Gas Pilot Assembly**	233-51586-02	233-51586-02	415-47845-05
Nat. Gas Pilot Assembly 2,001Ft. to 7,000Ft.(-475 model suffixes)**	415-47845-05	415-47845-05	415-47845-05
LP Gas Burner Assembly			
26 LP Gas Burner Assembly Complete*** **	265-47440-05-53	265-48038-02-51	265-48038-03-51
27 LP Gas Burner**	228-46964-00	228-46964-00	228-46964-00
28 LP Gas Main Burner Orifice**	234-47064-53	234-47064-51	234-47064-51
LP Gas High Altitude Orifice 2,001 Ft. to 7,000 Ft. (-475 model suffixes)**	234-47064-54	234-47064-53	234-47064-53
LP Gas High Altitude Orifice 7,001 Ft. to 10,000 Ft.**	---	234-47064-54	234-47064-54
29 Feedline	233-47108-01	233-47108-02	233-47108-03
30 LP Gas Pilot Assembly**	415-47846-05	415-47846-05	415-47846-05
LP to Nat. Gas Conversion Kit	265-53403-19	265-53403-21	265-45712-84
LP to Nat. Gas High Altitude Conversion Kit (-475 model suffixes)**	265-53403-20	265-53403-22	265-45712-85

* Applies to all warranties

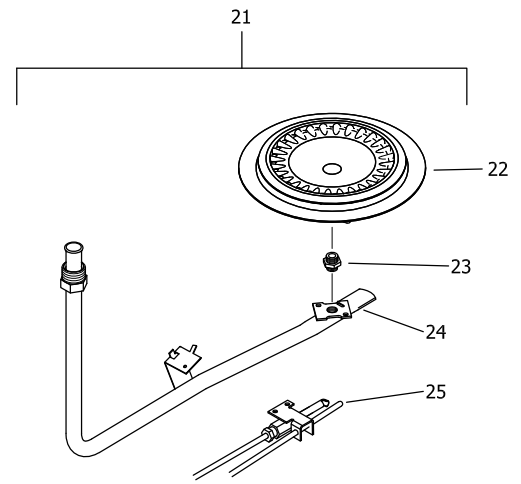
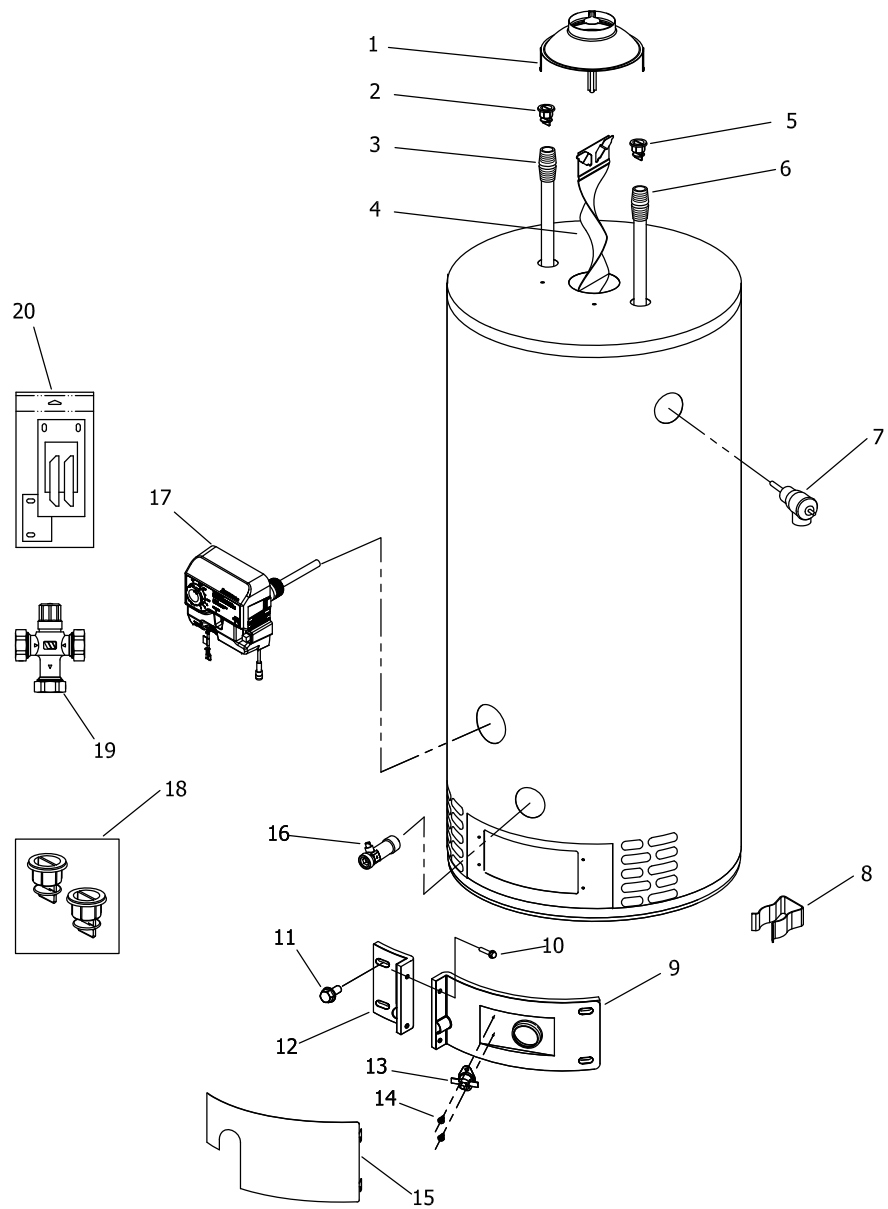
** Inner door gasket kit recommended

*** Ordering a complete burner assembly may increase delivery time. Please order the specific component required for the quickest delivery.

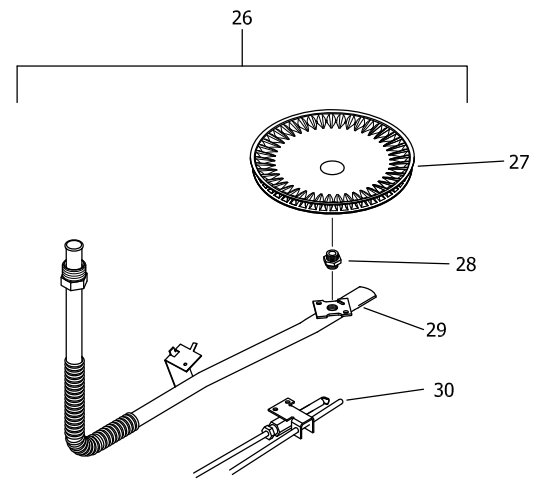
▲ Order with item 2

▲▲ Order with item 5

Anode may need to be cut to length



NATURAL GAS BURNER ASSEMBLY



LP GAS BURNER ASSEMBLY

Item	Description	Model	Model	Model
		RG130T*(N,X)-600	RG140T*(N,X)-600	RG150T*(N,X)-600
1	Draft Diverter	239-45787-00	239-45787-00	239-45787-00
2	Heat Trap Insert (Outlet)	415-45167-00	415-45167-00	415-45167-00
3	Hot Water Outlet Anode (Magnesium)▲#	415-47776-19	415-47776-19	415-47776-19
	Hot Water Outlet (Aluminum)▲#	415-32999-42	415-32999-42	415-32999-42
	Hot Water Outlet (A420 Aluminum)▲#	415-49560-10	415-49560-10	415-49560-10
4	Flue Baffle	243-51480-00	243-54463-00	243-54463-00
5	Heat Trap Insert (Inlet)	415-51556-00	415-51556-00	415-51556-00
6	Cold Water Inlet Dip Tube (PEX)▲▲	415-51230-19	415-51230-21	415-51230-18
7	T&P Relief Valve	415-40594-02	415-40594-02	415-40594-02
8	Feedline Clip	239-47475-00	239-47475-00	239-47475-00
9	Right Side Inner Door Complete	239-43963-01	239-43963-04	239-43963-06
10	Screw-#8-18 x 3/4 HWH	239-44195-00	239-44195-00	239-44195-00
11	Screw-#10-12 x 3/4 HWH	239-52581-00	239-52581-00	239-52581-00
12	Left Side Inner Door Complete	239-43968-14	239-43968-16	239-43968-18
13	Resettable Thermal Switch	415-43676-02	415-43676-02	415-43676-01
14	Screw-#6-20 x 3/8 PHCR	239-43967-00	239-43967-00	239-43967-00
15	Outer Door	239-43962-00	239-43962-00	239-43962-00
16	Brass Drain Valve	415-42351-02	415-42351-02	415-42351-02
17	Gas Control Direct Replacement (Nat. Gas)**	415-52944-01	415-52944-01	415-52944-01
	Gas Control Direct Replacement (LP Gas)**	415-52945-01	415-52945-01	415-52945-01
18	Kit-Heat Trap Insert	265-51572-00	265-51572-00	265-51572-00
19	ASSE Approved Mixing Valve (Optional)	239-51778-00	239-51778-00	239-51778-00
20	Inner Door Gasket Kit	239-44078-00	239-44078-00	239-44078-00
Natural Gas Burner Assembly				
21	Nat Gas Burner Assembly Complete*** **	265-53623-01-39	265-53623-02-34	265-53623-03-35
22	Nat. Gas Burner**	228-42506-00	228-42506-00	228-42506-00
23	Nat. Gas Main Burner Orifice** (0Ft. to 2,000Ft.)	234-41034-39	234-41034-35	234-41034-35
	Nat. Gas High Altitude Orifice 2,001Ft. to 7,000Ft. (-475 model suffixes)**	234-41034-43	234-41034-39	234-41034-39
	Nat. Gas High Altitude Kit 7,001Ft. to 10,000Ft.	234-41034-44	234-41034-42	234-41034-42
24	Feedline	233-48094-01	233-48094-02	233-48094-03
25	Nat. Gas Pilot Assembly**	233-52946-02	233-52946-02	233-52946-02
LP Gas Burner Assembly				
26	LP Gas Burner Assembly Complete*** **	265-53634-01-53	265-53634-02-51	265-53634-03-51
27	LP Gas Burner**	228-46964-00	228-46964-00	228-46964-00
28	LP Gas Main Burner Orifice**	234-47064-53	234-47064-51	234-47064-51
	LP Gas High Altitude Orifice 2,001 Ft. to 7,000 Ft. (-475 model suffixes)**	234-47064-54	234-47064-53	234-47064-53
	LP Gas High Altitude Orifice 7,001 Ft. to 10,000 Ft.**	---	234-47064-54	234-47064-54
29	Feedline	233-47108-01	233-47108-02	233-47108-03
30	LP Gas Pilot Assembly**	415-52947-05	415-52947-05	415-52947-05
	LP to Nat. Gas Conversion Kit	265-53632-01	265-53621-03	265-53632-52
	LP to Nat. Gas High Altitude Conversion Kit (-475 model suffixes)**	265-53632-02	265-53621-04	265-53632-51

* Applies to all warranties

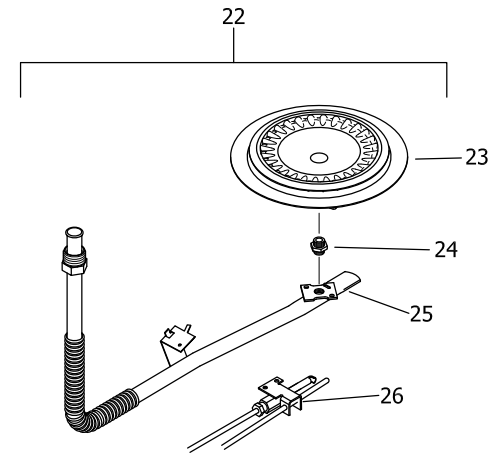
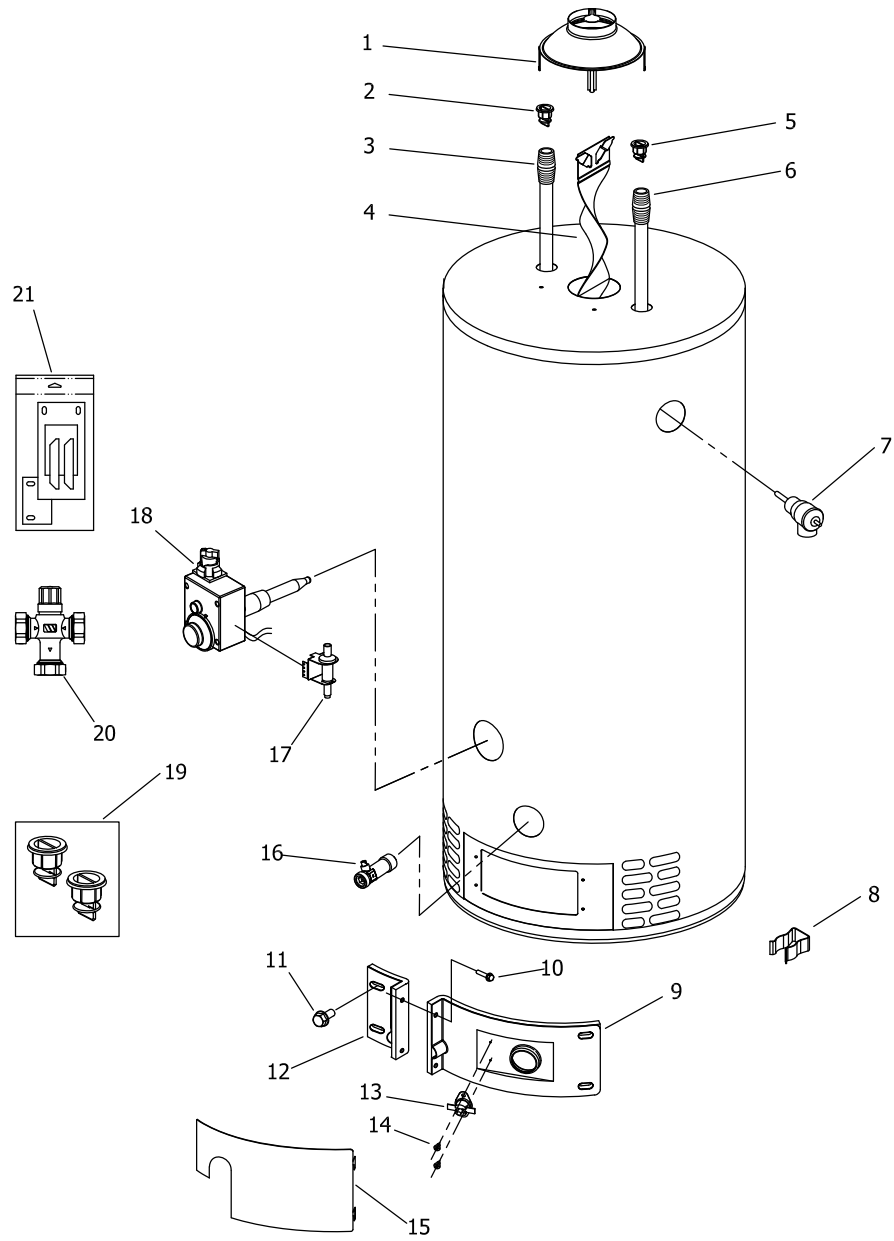
** Inner door gasket kit recommended

*** Ordering a complete burner assembly may increase delivery time. Please order the specific component required for the quickest delivery.

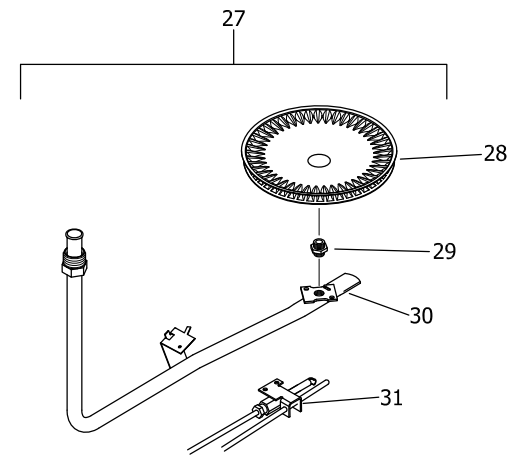
▲ Order with item 2

▲▲ Order with item 5

Anode may need to be cut to length



NATURAL GAS (BN) BURNER ASSEMBLY

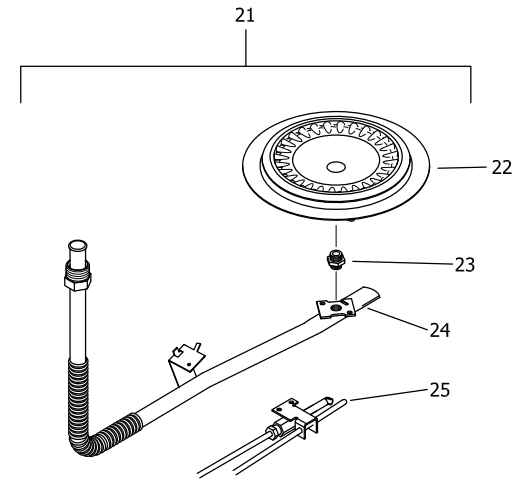
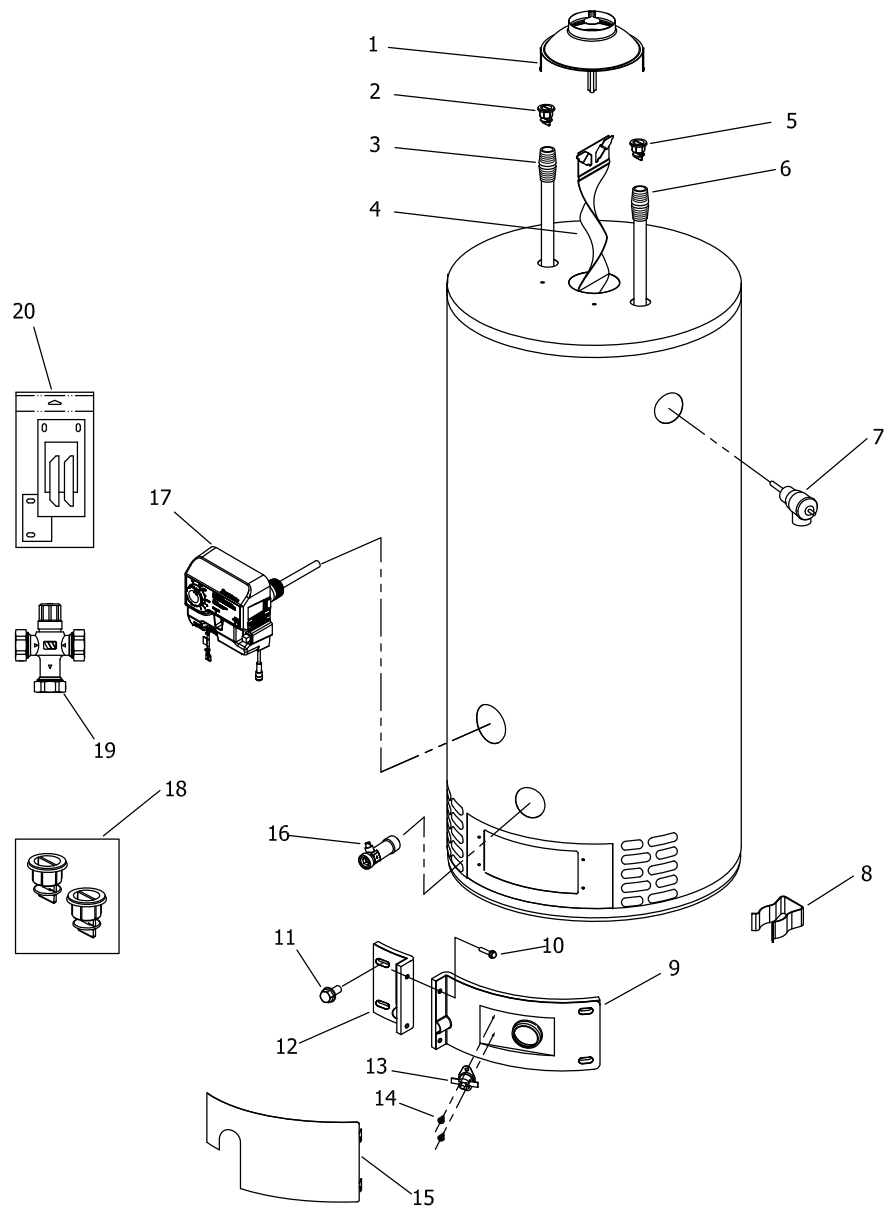


LP GAS (SX) BURNER ASSEMBLY

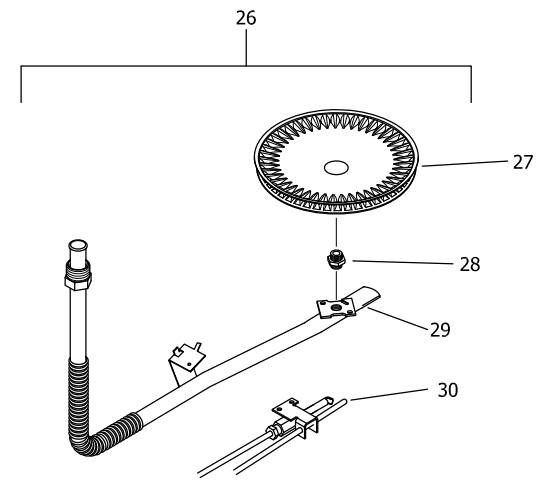
Item Description	Model	Model	Model
	RG130T*(N,X)-500	RG140T*(N,X)-500	RG150T*(N,X)-500
1 Draft Diverter	239-45787-00	239-45787-00	239-45787-00
2 Heat Trap Insert (Outlet)	239-45167-00	239-45167-00	239-45167-00
3 Hot Water Outlet Anode (Magnesium)▲#	415-47776-19	415-47776-19	415-47776-19
Hot Water Outlet (Aluminum)▲#	224-32999-42	224-32999-42	224-32999-42
Hot Water Outlet (A420 Aluminum)▲#	224-49560-10	224-49560-10	224-49560-10
4 Flue Baffle	243-51480-00	243-51477-00	243-51477-00
5 Heat Trap Insert (Inlet)	415-51556-00	415-51556-00	415-51556-00
6 Cold Water Inlet Dip Tube (PEX)▲▲	415-51230-19	415-51230-21	415-51230-18
7 T&P Relief Valve	415-40594-01	415-40594-01	415-40594-01
8 Feedline Clip	239-47475-00	239-47475-00	239-47475-00
9 Right Side Inner Door Complete	239-43963-01	239-43963-04	239-43963-06
10 Screw-#8-18 x 3/4 HWH	239-44195-00	239-44195-00	239-44195-00
11 Screw-#10-12 x 3/4 HWH	239-52581-00	239-52581-00	239-52581-00
12 Left Side Inner Door Complete	239-43968-14	239-43968-16	239-43968-18
13 Resettable Thermal Switch	415-43676-02	415-43676-02	415-43676-01
14 Screw-#6-20 x 3/8 PHCR	239-43967-00	239-43967-00	239-43967-00
15 Outer Door	239-43962-00	239-43962-00	239-43962-00
16 Brass Drain Valve	415-48070-01	415-48070-01	415-48070-01
17 Piezo Igniter Kit	415-43448-00	415-43448-00	243-43450-00
18 T-Stat Direct Replacement (Natural Gas)	265-46181-01	265-46181-01	265-46181-01
T-Stat Direct Replacement (LP Gas)	265-46182-01	265-46182-01	265-46182-01
19 Kit-Heat Trap Insert	265-51572-00	265-51572-00	265-51572-00
20 ASSE Approved Mixing Valve (Optional)	239-51778-00	239-51778-00	239-51778-00
21 Inner Door Gasket Kit	239-44078-00	239-44078-00	239-44078-00
Natural Gas Burner Assembly			
22 Nat Gas Burner Assembly Complete*** **	265-51843-01-39	265-51843-02-39	265-51843-03-35
23 Nat. Gas Burner**	228-42506-00	228-42506-00	228-42506-00
24 Nat. Gas Main Burner Orifice** (0Ft. to 2,000Ft.)	234-41034-39	234-41034-35	234-41034-35
Nat. Gas High Altitude Orifice 2,001Ft. to 7,000Ft. (-475 model suffixes)**	234-41034-43	234-41034-39	234-41034-39
Nat. Gas High Altitude Kit 7,001Ft. to 10,000Ft.	234-41034-44	234-41034-42	234-41034-42
25 Feedline	233-48094-01	233-48094-02	233-48094-03
26 Nat. Gas Pilot Assembly**	233-51812-01	233-51812-02	233-51812-03
Nat. Gas Pilot Assembly 2,001Ft. to 7,000Ft.(-475 model suffixes)**	233-51812-01	233-51812-02	233-51812-03
LP Gas Burner Assembly			
27 LP Gas Burner Assembly Complete*** **	265-47115-01-53	265-47115-02-51	265-47115-06-51
28 LP Gas Burner**	228-46964-00	228-46964-00	228-46964-00
29 LP Gas Main Burner Orifice**	234-47064-53	234-47064-51	234-47064-51
LP Gas High Altitude Orifice 2,001 Ft. to 7,000 Ft. (-475 model suffixes)**	234-47064-54	234-47064-53	234-47064-53
LP Gas High Altitude Orifice 7,001 Ft. to 10,000 Ft.**	234-47064-55	234-47064-54	234-47064-54
30 Feedline	233-47108-01	233-47108-02	233-47108-03
31 LP Gas Pilot Assembly**	233-46278-02	233-46278-06	233-46278-02
LP to Nat. Gas Conversion Kit	265-53403-19	265-53403-21	265-45712-84
LP to Nat. Gas High Altitude Conversion Kit (-475 model suffixes)**	265-53403-20	265-53403-22	265-45712-85

*** Ordering a complete burner assembly may increase delivery time. Please order the specific component required for the quickest delivery.

Anode may need to be cut to length



NATURAL GAS BURNER ASSEMBLY



LP GAS BURNER ASSEMBLY

Item Description	Model	Model	Model	Model
	RG230S*(N,X)	RG230T*(N,X)	RG240S*(N,X)	RG240T*(N,X)
1 Draft Diverter	239-45787-00	239-45787-00	239-45787-00	239-45787-00
2 Heat Trap Insert (Outlet)	415-45167-00	415-45167-00	415-45167-00	415-45167-00
3 Hot Water Outlet Anode (Magnesium)▲#	415-47776-19	415-47776-19	415-47776-19	415-47776-19
Hot Water Outlet (Aluminum)▲#	415-32999-42	415-32999-42	415-32999-42	415-32999-42
Hot Water Outlet (A420 Aluminum)▲#	415-49560-10	415-49560-10	415-49560-10	415-49560-10
4 Flue Baffle	243-45226-00	243-44639-00	243-52980-00	243-52981-00
5 Heat Trap Insert (Inlet)	415-51556-00	415-51556-00	415-51556-00	415-51556-00
6 Cold Water Inlet Dip Tube (PEX)▲▲	415-51230-20	415-51230-19	229-53466-02	229-53466-01
7 T&P Relief Valve	415-40594-02	415-40594-02	415-40594-02	415-40594-02
8 Feedline Clip	239-47475-00	239-47475-00	239-47475-00	239-47475-00
9 Right Side Inner Door Complete (Nat. Gas)	239-43963-03	239-43963-02	239-43963-07	239-43963-05
Right Side Inner Door Complete (LP Gas)	239-43963-03	239-43963-02	239-43963-07	239-43963-04
10 Screw-#8-18 x 3/4 HWH	239-44195-00	239-44195-00	239-44195-00	239-44195-00
11 Screw-#10-12 x 3/4 HWH	239-52581-00	239-52581-00	239-52581-00	239-52581-00
12 Left Side Inner Door Complete	239-43968-16	239-43968-14	239-43968-18	239-43968-16
13 Resettable Thermal Switch	415-43676-01	415-43676-03	415-43676-02	415-43676-03
14 Screw-#6-20 x 3/8 PHCR	239-43967-00	239-43967-00	239-43967-00	239-43967-00
15 Outer Door	239-43962-00	239-43962-00	239-43962-00	239-43962-00
16 Brass Drain Valve	415-42351-02	415-42351-02	415-42351-02	415-42351-02
17 Gas Control Direct Replacement (Nat. Gas)	415-52907-02	415-52907-02	415-52907-02	415-52907-02
Gas Control Direct Replacement (LP Gas)	415-52909-02	415-52909-02	415-52909-02	415-52909-02
Gas Control Universal Replacement (Nat. Gas)	415-53359-00	415-53359-00	415-53359-00	415-53359-00
Gas Control Universal Replacement (LP Gas)	415-53360-00	415-53360-00	415-53360-00	415-53360-00
18 Kit-Heat Trap Insert	265-51572-00	265-51572-00	265-51572-00	265-51572-00
19 ASSE Approved Mixing Valve (Optional)	239-51778-00	239-51778-00	239-51778-00	239-51778-00
20 Inner Door Gasket Kit	239-44078-00	239-44078-00	239-44078-00	239-44078-00
Natural Gas Burner Assembly				
21 Nat Gas Burner Assembly Complete*** **	265-48037-03-38	265-47439-02-36	265-47439-05-32	265-47439-04-32
22 Nat. Gas Burner**	228-42506-00	228-42506-00	228-42506-00	228-42506-00
23 Nat. Gas Main Burner Orifice** (0Ft. to 2,000Ft.)	234-41034-38	234-41034-36	234-41034-32	234-41034-32
Nat. Gas High Altitude Orifice 2,001Ft. to 7,000Ft. (-475 model suffixes)**	234-41034-42	234-41034-41	234-41034-36	234-41034-36
Nat. Gas High Altitude Kit 7,001Ft. to 10,000Ft.	265-51311-02-44	265-51311-02-43	265-51311-02-40	265-51311-02-40
24 Feedline	233-48094-03	233-48094-02	233-48094-04	233-48094-03
25 Nat. Gas Pilot Assembly**	233-47845-05	233-47845-05	233-47845-05	233-47845-05
LP Gas Burner Assembly				
26 LP Gas Burner Assembly Complete*** **	265-47440-05-53	265-47440-01-60	265-47440-11-50	265-48038-03-52
27 LP Gas Burner**	228-46964-00	228-46964-00	228-46964-00	228-46964-00
28 LP Gas Main Burner Orifice**	234-47064-53	234-47064-60	234-47064-50	234-47064-52
LP Gas High Altitude Orifice 2,001Ft. to 7,000Ft. (-475 model suffixes)**	234-47064-54	234-47064-54	234-47064-52	234-47064-53
LP Gas High Altitude Orifice 7,001Ft. to 10,000Ft.**	265-51367-02-56	265-51367-02-54	265-51367-02-53	265-51367-02-54
29 Feedline	233-47108-03	233-47108-02	233-47108-04	233-47108-03
30 LP Gas Pilot Assembly**	233-47846-05	233-47846-05	233-47846-05	233-47846-05
LP to Nat. Gas Conversion Kit	265-45712-72	265-45712-09	265-45712-75	265-45712-10
LP to Nat. Gas High Altitude Conversion Kit (-475 model suffixes)**	265-45712-73	265-45712-74	265-45712-76	265-45712-77

* Applies to all warranties

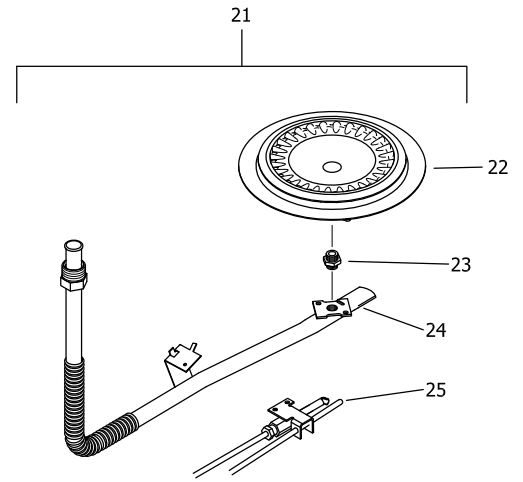
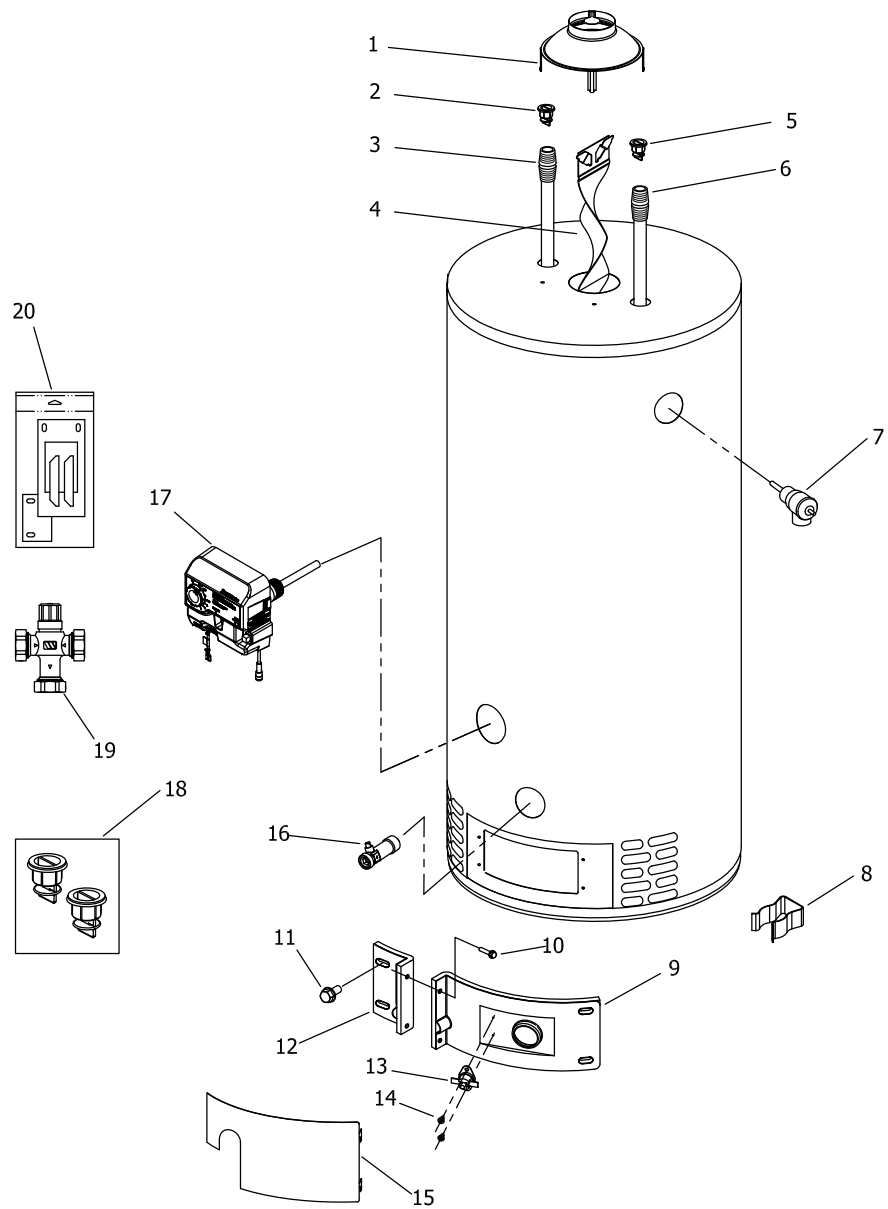
** Inner door gasket kit recommended

*** Ordering a complete burner assembly may increase delivery time. Please order the specific component required for the quickest delivery.

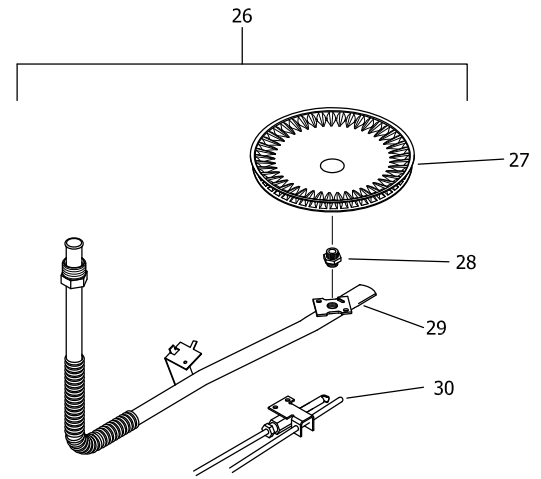
▲ Order with item 2

▲▲ Order with item 5

Anode may need to be cut to length



NATURAL GAS BURNER ASSEMBLY



LP GAS BURNER ASSEMBLY

Item Description	Model	Model	Model	Model
	RG230S*(N,X)-600	RG230T*(N,X)-600	RG240S*(N,X)-600	RG240T*(N,X)-600
1 Draft Diverter	239-45787-00	239-45787-00	239-45787-00	239-45787-00
2 Heat Trap Insert (Outlet)	415-45167-00	415-45167-00	415-45167-00	415-45167-00
3 Hot Water Outlet Anode (Magnesium)▲#	415-47776-19	415-47776-19	415-47776-19	415-47776-19
Hot Water Outlet (Aluminum)▲#	415-32999-42	415-32999-42	415-32999-42	415-32999-42
Hot Water Outlet (A420 Aluminum)▲#	415-49560-10	415-49560-10	415-49560-10	415-49560-10
4 Flue Baffle	243-45226-00	243-44639-00	243-52980-00	243-52981-00
5 Heat Trap Insert (Inlet)	415-51556-00	415-51556-00	415-51556-00	415-51556-00
6 Cold Water Inlet Dip Tube (PEX)▲▲	415-51230-20	415-51230-19	229-53466-02	229-53466-01
7 T&P Relief Valve	415-40594-02	415-40594-02	415-40594-02	415-40594-02
8 Feedline Clip	239-47475-00	239-47475-00	239-47475-00	239-47475-00
9 Right Side Inner Door Complete (Nat. Gas)	239-43963-03	239-43963-02	239-43963-07	239-43963-05
Right Side Inner Door Complete (LP Gas)	239-43963-03	239-43963-02	239-43963-07	239-43963-04
10 Screw-#8-18 x 3/4 HWH	239-44195-00	239-44195-00	239-44195-00	239-44195-00
11 Screw-#10-12 x 3/4 HWH	239-52581-00	239-52581-00	239-52581-00	239-52581-00
12 Left Side Inner Door Complete	239-43968-16	239-43968-14	239-43968-18	239-43968-16
13 Resettable Thermal Switch	415-43676-01	415-43676-03	415-43676-02	415-43676-03
14 Screw-#6-20 x 3/8 PHCR	239-43967-00	239-43967-00	239-43967-00	239-43967-00
15 Outer Door	239-43962-00	239-43962-00	239-43962-00	239-43962-00
16 Brass Drain Valve	415-42351-02	415-42351-02	415-42351-02	415-42351-02
17 Gas Control Direct Replacement (Nat. Gas)	415-52944-02	415-52944-02	415-52944-02	415-52944-02
Gas Control Direct Replacement (LP Gas)	415-52945-02	415-52945-02	415-52945-02	415-52945-02
18 Kit-Heat Trap Insert	265-51572-00	265-51572-00	265-51572-00	265-51572-00
19 ASSE Approved Mixing Valve (Optional)	239-51778-00	239-51778-00	239-51778-00	239-51778-00
20 Inner Door Gasket Kit	239-44078-00	239-44078-00	239-44078-00	239-44078-00
Natural Gas Burner Assembly				
21 Nat Gas Burner Assembly Complete*** **	265-53623-03-38	265-53623-02-36	265-53632-04-32	265-53623-04-32
22 Nat. Gas Burner**	228-42506-00	228-42506-00	228-42506-00	228-42506-00
23 Nat. Gas Main Burner Orifice** (0Ft. to 2,000Ft.)	234-41034-38	234-41034-36	234-41034-32	234-41034-32
Nat. Gas High Altitude Orifice 2,001Ft. to 7,000Ft. (-475 model suffixes)**	234-41034-42	234-41034-41	234-41034-36	234-41034-36
Nat. Gas High Altitude Kit 7,001Ft. to 10,000Ft.	265-51311-02-44	265-51311-02-43	265-51311-02-40	265-51311-02-40
24 Feedline	233-48094-03	233-48094-02	233-48094-04	233-48094-03
25 Nat. Gas Pilot Assembly**	233-52946-05	233-52946-05	233-52946-05	233-52946-05
LP Gas Burner Assembly				
26 LP Gas Burner Assembly Complete*** **	265-53634-03-53	265-53634-02-60	265-53634-04-50	265-53634-03-52
27 LP Gas Burner**	228-46964-00	228-46964-00	228-46964-00	228-46964-00
28 LP Gas Main Burner Orifice**	234-47064-53	234-47064-60	234-47064-50	234-47064-52
LP Gas High Altitude Orifice 2,001Ft. to 7,000Ft. (-475 model suffixes)**	234-47064-54	234-47064-54	234-47064-52	234-47064-53
LP Gas High Altitude Orifice 7,001Ft. to 10,000Ft.**	265-51367-02-56	265-51367-02-54	265-51367-02-53	265-51367-02-54
29 Feedline	233-47108-03	233-47108-02	233-47108-04	233-47108-03
30 LP Gas Pilot Assembly**	233-52947-05	233-52947-05	233-52947-05	233-52947-05
LP to Nat. Gas Conversion Kit	265-53621-40	265-53621-09	265-53621-43	265-53621-10
LP to Nat. Gas High Altitude Conversion Kit (-475 model suffixes)**	265-53621-41	265-53621-42	265-53621-44	265-53621-45

* Applies to all warranties

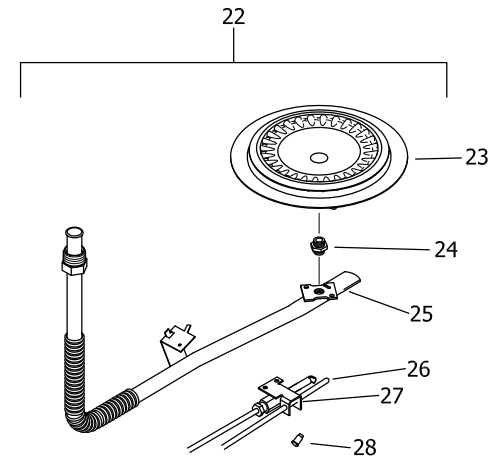
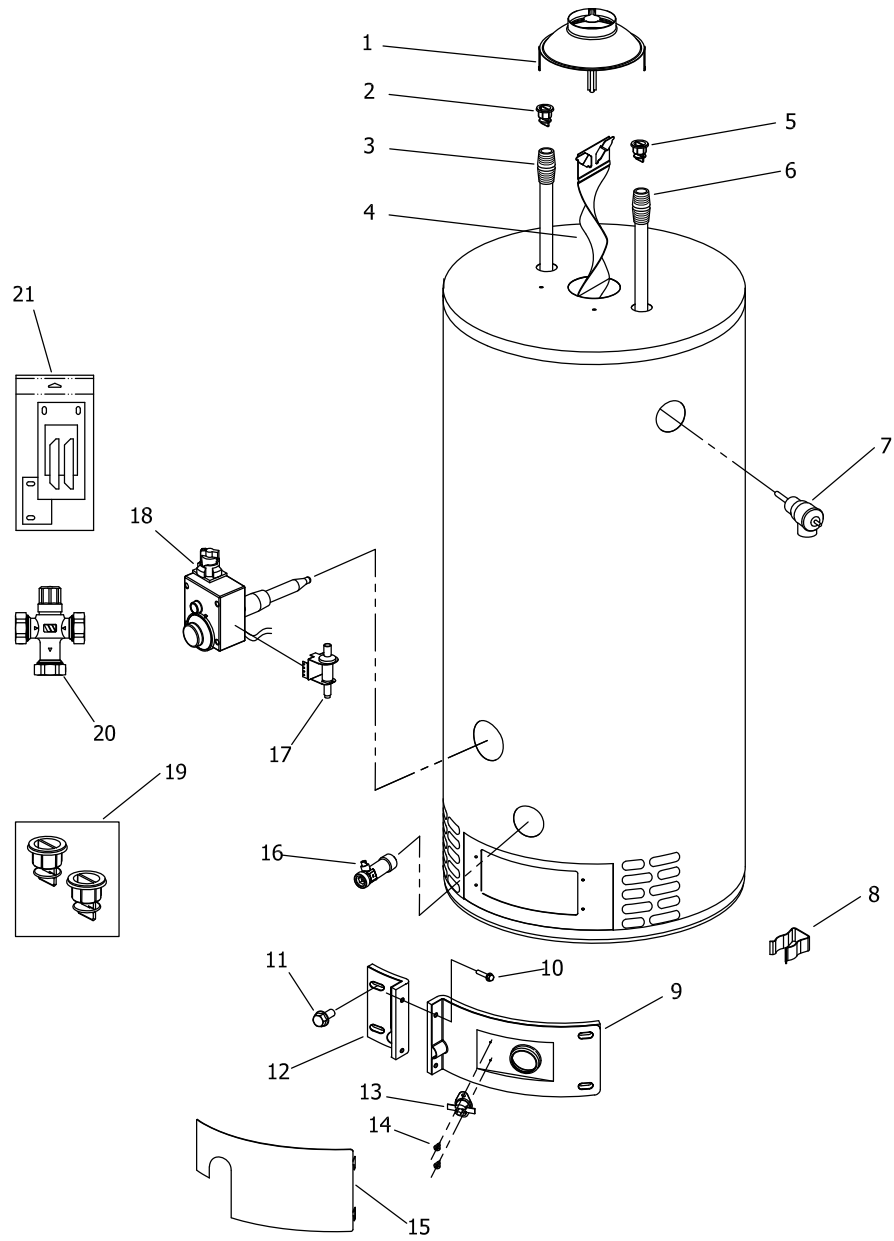
** Inner door gasket kit recommended

*** Ordering a complete burner assembly may increase delivery time. Please order the specific component required for the quickest delivery.

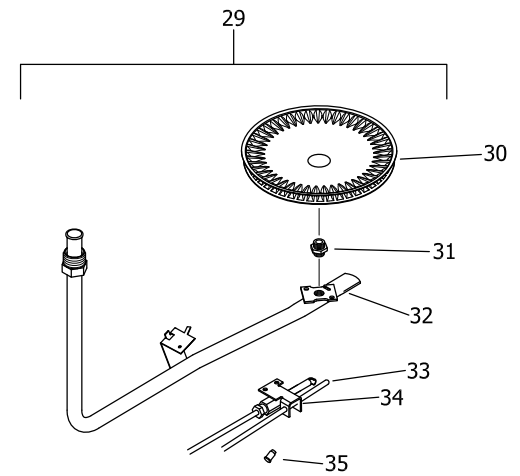
▲ Order with item 2

▲▲ Order with item 5

Anode may need to be cut to length



NATURAL GAS (BN) BURNER ASSEMBLY



LP GAS (SX) BURNER ASSEMBLY

Item Description	Model	Model	Model	Model
	RG230S*(N,X)-500	RG230T*(N,X)-500	RG240S*(N,X)-500	RG240T*(N,X)-500
1 Draft Diverter	239-45787-00	239-45787-00	239-45787-00	239-45787-00
2 Heat Trap Insert (Outlet)	415-45167-00	415-45167-00	415-45167-00	415-45167-00
3 Hot Water Outlet Anode (Magnesium)▲#	415-47776-19	415-47776-19	415-47776-19	415-47776-19
Hot Water Outlet (Aluminum)▲#	415-32999-42	415-32999-42	415-32999-42	415-32999-42
Hot Water Outlet (A420 Aluminum)▲#	415-49560-10	415-49560-10	415-49560-10	415-49560-10
4 Flue Baffle	243-45226-00	243-44639-00	243-52980-00	243-52981-00
5 Heat Trap Insert (Inlet)	415-51556-00	415-51556-00	415-51556-00	415-51556-00
6 Cold Water Inlet Dip Tube (PEX)▲▲	415-51230-20	415-51230-19	229-53466-02	229-53466-01
7 T&P Relief Valve	415-40594-02	415-40594-02	415-40594-02	415-40594-02
8 Feedline Clip	239-47475-00	239-47475-00	239-47475-00	239-47475-00
9 Right Side Inner Door Complete (Nat. Gas)	239-43963-03	239-43963-02	239-43963-07	239-43963-05
Right Side Inner Door Complete (LP Gas)	239-43963-03	239-43963-02	239-43963-07	239-43963-04
10 Screw-#8-18 x 3/4 HWH	239-44195-00	239-44195-00	239-44195-00	239-44195-00
11 Screw-#10-12 x 3/4 HWH	239-52581-00	239-52581-00	239-52581-00	239-52581-00
12 Left Side Inner Door Complete	239-43968-16	239-43968-14	239-43968-18	239-43968-16
13 Resettable Thermal Switch (Nat. Gas)	415-43676-01	415-43676-03	415-43676-02	415-43676-03
14 Screw-#6-20 x 3/8 PHCR	239-43967-00	239-43967-00	239-43967-00	239-43967-00
15 Outer Door	239-43962-00	239-43962-00	239-43962-00	239-43962-00
16 Brass Drain Valve	415-42351-02	415-42351-02	415-42351-02	415-42351-02
17 Piezo Igniter Kit	243-43450-00	243-43450-00	243-43450-00	243-43450-00
18 T-Stat Direct Replacement (Natural Gas)	265-46181-02	265-46181-02	265-46181-02	265-46181-02
T-Stat Direct Replacement (LP Gas)	265-46182-02	265-46182-02	265-46182-02	265-46182-02
19 Kit-Heat Trap Insert	239-51572-00	239-51572-00	239-51572-00	239-51572-00
20 ASSE Approved Mixing Valve (Optional)	239-51778-00	239-51778-00	239-51778-00	239-51778-00
21 Inner Door Gasket Kit	239-44078-00	239-44078-00	239-44078-00	239-44078-00
Natural Gas Burner Assembly				
22 Nat Gas Burner Assembly Complete*** **	265-47439-07-38	265-47439-02-36	265-47439-04-32	265-47439-04-32
23 Nat. Gas Burner**	228-42506-00	228-42506-00	228-42506-00	228-42506-00
24 Nat. Gas Main Burner Orifice**	234-41034-38	234-41034-36	234-41034-32	234-41034-32
25 Feedline	233-48094-03	233-48094-02	243-43971-04	233-48094-03
26 Pilot Assembly Thermocouple	415-46501-24	415-46501-24	415-46501-24	415-46501-24
27 Nat. Gas Pilot Assembly**	233-46277-06	233-46277-06	233-46277-06	233-46277-06
28 Nat. Pilot Assembly Orifice	234-46502-05	234-46502-05	234-46502-05	234-46502-05
LP Gas Burner Assembly				
29 LP Gas Burner Assembly Complete*** **	265-47115-03-53	265-47440-01-60	265-47440-11-50	265-47115-03-52
30 LP Gas Burner**	228-46964-00	228-46964-00	228-46964-00	228-46964-00
31 LP Gas Main Burner Orifice**	234-47064-53	234-47064-60	234-47064-50	234-47064-52
32 Feedline	233-47108-03	233-47108-02	233-47108-04	233-47108-03
33 Pilot Assembly Thermocouple	415-46501-24	415-46501-24	415-46501-24	415-46501-24
34 LP Gas Pilot Assembly**	233-46278-04	233-46278-04	233-47846-04	233-46278-04
35 LP Pilot Assembly Orifice	234-46502-02	234-46502-02	234-46502-02	234-46502-02

* Applies to all warranties

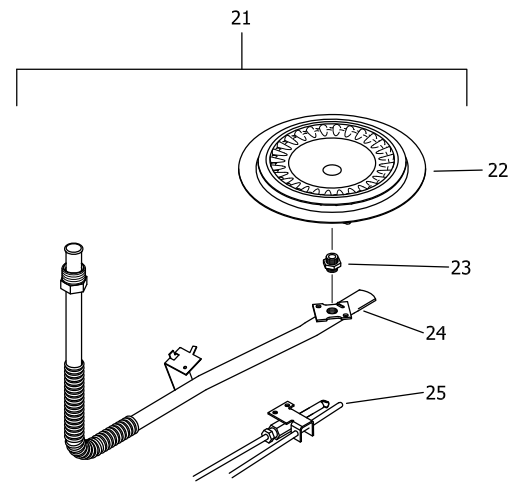
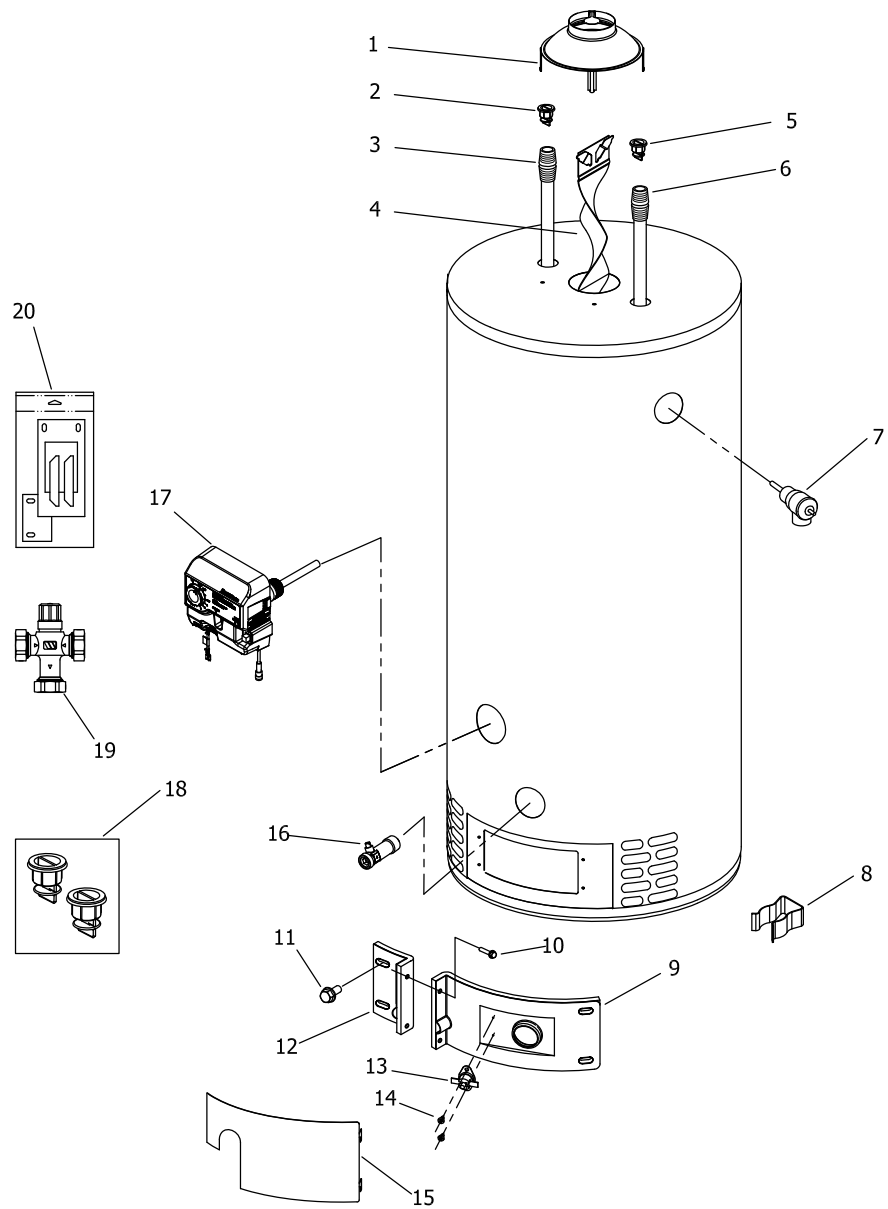
** Inner door gasket kit recommended

*** Ordering a complete burner assembly may increase delivery time. Please order the specific component required for the quickest delivery.

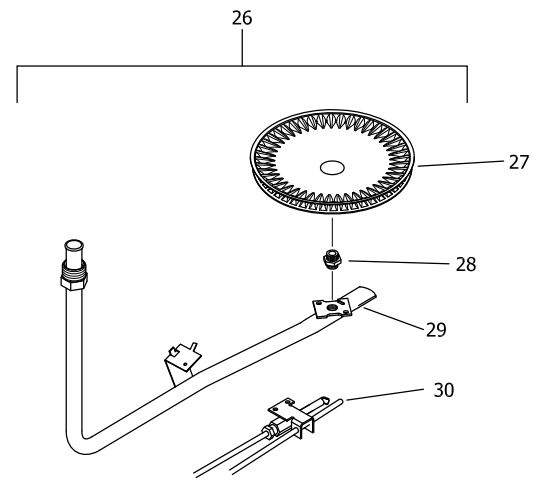
▲ Order with item 2

▲▲ Order with item 5

Anode may need to be cut to length



NATURAL GAS BURNER ASSEMBLY



LP GAS BURNER ASSEMBLY

Item Description	Model	Model	Model	Model
	RG250L*(N,X)	RG250S*(N,X)	RG250T*(N,X)	RG250R*(N,X)
1 Draft Diverter	239-45787-00	239-33081-02-20-15	239-45787-00	239-45787-00
2 Heat Trap Insert (Outlet)	415-45167-00	415-45167-00	415-45167-00	415-45167-00
3 Hot Water Outlet Anode (Magnesium)▲#	415-47776-19	415-47776-19	415-47776-19	415-47776-19
Hot Water Outlet (Aluminum)▲#	415-32999-42	415-32999-42	415-32999-42	415-32999-42
Hot Water Outlet (A420 Aluminum)▲#	415-49560-10	415-49560-10	415-49560-10	415-49560-10
4 Flue Baffle	243-45223-00	243-53148-00	243-44705-00	243-54748-00
5 Heat Trap Insert (Inlet)	415-51556-00	415-51556-00	415-51556-00	415-51556-00
6 Cold Water Inlet Dip Tube (PEX)▲▲	415-51230-16	415-51230-14	415-51230-18	415-51230-14
7 T&P Relief Valve	415-40594-02	415-40594-02	415-40594-02	415-40594-02
8 Feedline Clip	239-47475-00	239-47475-00	239-47475-00	239-47475-00
9 Right Side Inner Door Complete	239-43963-09	239-43963-06	239-43963-07	239-43963-06
10 Screw-#8-18 x 3/4 HWH	239-44195-00	239-44195-00	239-44195-00	239-44195-00
11 Screw-#10-12 x 3/4 HWH	239-52581-00	239-52581-00	239-52581-00	239-52581-00
12 Left Side Inner Door Complete	239-43968-20	239-43968-18	239-43968-18	239-43968-18
13 Resettable Thermal Switch	415-43676-01	415-43676-01	415-43676-02	415-43676-01
14 Screw-#6-20 x 3/8 PHCR	239-43967-00	239-43967-00	239-43967-00	239-43967-00
15 Outer Door	239-43962-00	239-43962-00	239-43962-00	239-43962-00
16 Brass Drain Valve	415-42351-02	415-42351-02	415-42351-02	415-42351-02
17 Gas Control Direct Replacement (Nat. Gas)	415-52907-02	415-52907-02	415-52907-02	415-52907-02
Gas Control Direct Replacement (LP Gas)	415-52909-02	415-52909-02	415-52909-02	415-52909-02
Gas Control Universal Replacement (Nat. Gas)	415-53359-00	415-53359-00	415-53359-00	415-53359-00
Gas Control Universal Replacement (LP Gas)	415-53360-00	415-53360-00	415-53360-00	415-53360-00
18 Kit-Heat Trap Insert	239-51572-00	239-51572-00	239-51572-00	239-51572-00
19 ASSE Approved Mixing Valve (Optional)	239-51778-00	239-51778-00	239-51778-00	239-51778-00
20 Inner Door Gasket Kit	239-44078-00	239-44078-00	239-44078-00	239-44078-00
Natural Gas Burner Assembly				
21 Nat Gas Burner Assembly Complete*** **	265-47439-10-32	265-47439-07-30	265-47439-05-32	265-47439-07-32
22 Nat. Gas Burner**	228-42506-00	228-42506-00	228-42506-00	228-42506-00
23 Nat. Gas Main Burner Orifice** (0Ft. to 2,000Ft.)	234-41034-32	234-41034-30	234-41034-32	234-41034-32
Nat. Gas High Altitude Orifice 2,001Ft. to 7,000Ft. (-475 model suffixes)**	234-41034-36	234-41034-32	234-41034-36	234-41034-36
Nat. Gas High Altitude Kit 7,001Ft. to 10,000Ft.	265-51311-02-40	265-51311-02-35	265-51311-02-40	265-51311-02-40
24 Feedline	233-48094-05	233-48094-04	233-48094-04	233-48094-04
25 Nat. Gas Pilot Assembly**	233-47845-05	233-47845-05	233-47845-05	233-47845-05
LP Gas Burner Assembly				
26 LP Gas Burner Assembly Complete*** **	265-48038-05-50	265-47440-08-47	265-48038-04-51	265-47440-07-51
27 LP Gas Burner**	228-46964-00	228-47000-00	228-46964-00	228-46964-00
28 LP Gas Main Burner Orifice**	234-47064-50	234-47064-47	234-47064-51	234-47064-51
LP Gas High Altitude Orifice 2,001Ft. to 7,000Ft. (-475 model suffixes)**	234-47064-52	234-47064-50	234-47064-53	234-47064-53
LP Gas High Altitude Orifice 7,001Ft. to 10,000Ft.**	265-51367-02-53	265-51367-02-51	265-51367-02-54	265-51367-02-54
29 Feedline	233-47108-05	233-47108-04	233-47108-04	233-47108-04
30 LP Gas Pilot Assembly**	233-47846-05	233-47846-05	233-47846-05	233-47846-05
LP to Nat. Gas Conversion Kit	265-45712-78	265-45712-80	265-45712-75	265-45712-75
LP to Nat. Gas High Altitude Conversion Kit (-475 model suffixes)**	265-45712-79	265-45712-81	265-45712-76	265-45712-76

* Applies to all warranties

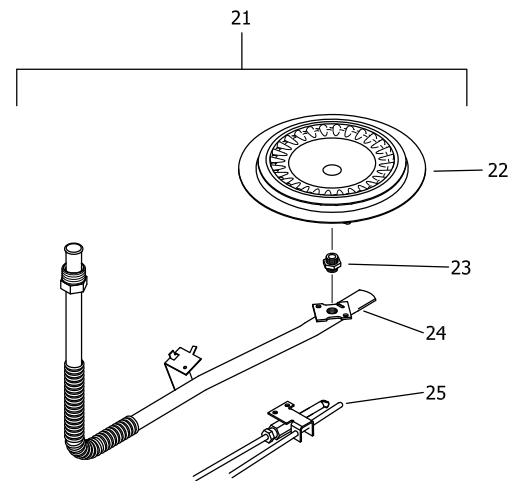
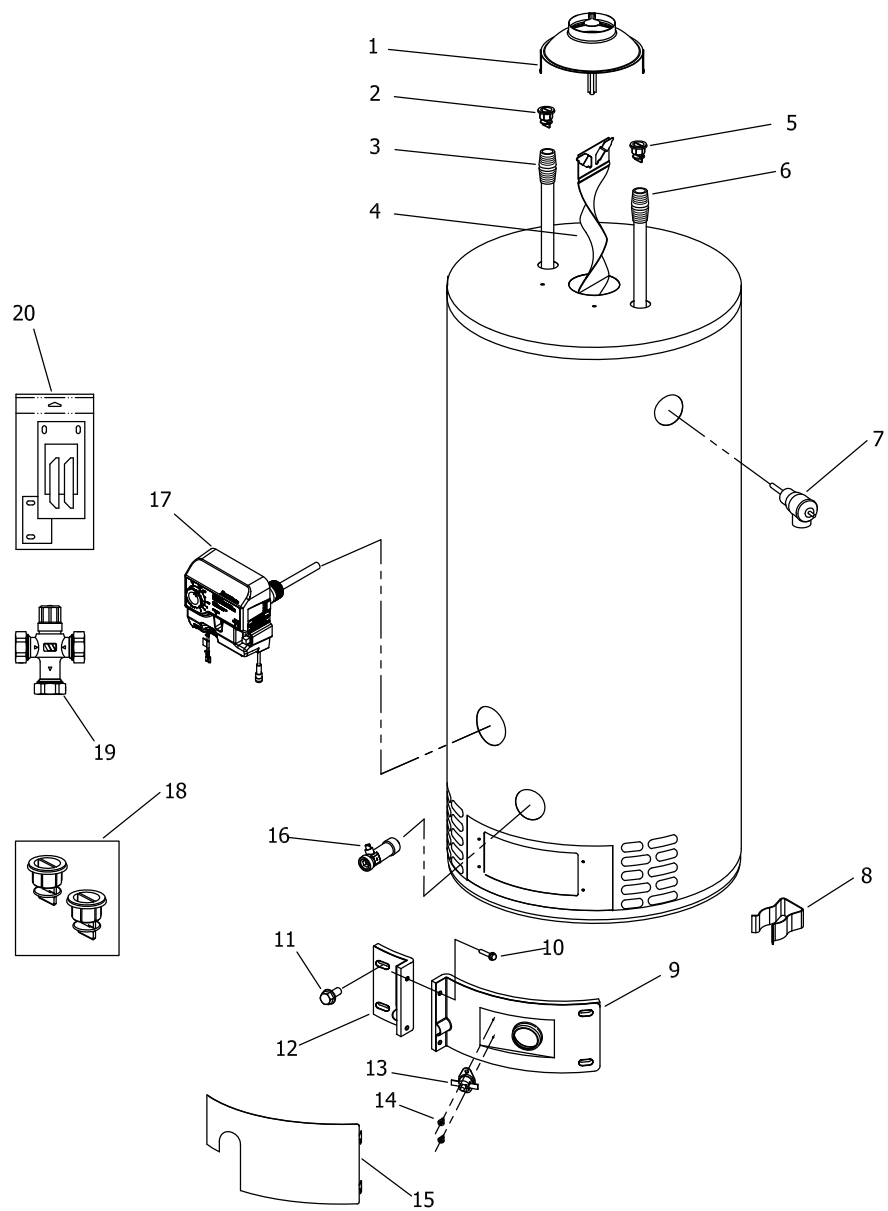
** Inner door gasket kit recommended

*** Ordering a complete burner assembly may increase delivery time. Please order the specific component required for the quickest delivery.

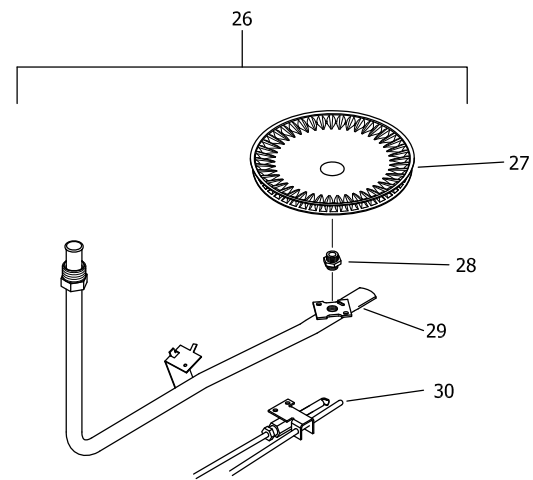
▲ Order with item 2

▲▲ Order with item 5

Anode may need to be cut to length



NATURAL GAS BURNER ASSEMBLY



LP GAS BURNER ASSEMBLY

Item Description	Model	Model	Model
	RG250L*(N,X)-600	RG250S*(N,X)-600	RG250T*(N,X)-600
1 Draft Diverter	239-45787-00	239-33081-02-20-15	239-45787-00
2 Heat Trap Insert (Outlet)	415-45167-00	415-45167-00	415-45167-00
3 Hot Water Outlet Anode (Magnesium)▲#	415-47776-19	415-47776-19	415-47776-19
Hot Water Outlet (Aluminum)▲#	415-32999-42	415-32999-42	415-32999-42
Hot Water Outlet (A420 Aluminum)▲#	415-49560-10	415-49560-10	415-49560-10
4 Flue Baffle	243-45223-00	243-53148-00	243-44705-00
5 Heat Trap Insert (Inlet)	415-51556-00	415-51556-00	415-51556-00
6 Cold Water Inlet Dip Tube (PEX)▲▲	415-51230-16	415-51230-14	415-51230-18
7 T&P Relief Valve	415-40594-02	415-40594-02	415-40594-02
8 Feedline Clip	239-47475-00	239-47475-00	239-47475-00
9 Right Side Inner Door Complete	239-43963-09	239-43963-06	239-43963-07
10 Screw-#8-18 x 3/4 HWH	239-44195-00	239-44195-00	239-44195-00
11 Screw-#10-12 x 3/4 HWH	239-52581-00	239-52581-00	239-52581-00
12 Left Side Inner Door Complete	239-43968-20	239-43968-18	239-43968-18
13 Resettable Thermal Switch	415-43676-01	415-43676-01	415-43676-02
14 Screw-#6-20 x 3/8 PHCR	239-43967-00	239-43967-00	239-43967-00
15 Outer Door	239-43962-00	239-43962-00	239-43962-00
16 Brass Drain Valve	415-42351-02	415-42351-02	415-42351-02
17 Gas Control Direct Replacement (Nat. Gas)	415-52944-02	415-52944-02	415-52944-02
Gas Control Direct Replacement (LP Gas)	415-52945-02	415-52945-02	415-52945-02
18 Kit-Heat Trap Insert	239-51572-00	239-51572-00	239-51572-00
19 ASSE Approved Mixing Valve (Optional)	239-51778-00	239-51778-00	239-51778-00
20 Inner Door Gasket Kit	239-44078-00	239-44078-00	239-44078-00
Natural Gas Burner Assembly			
21 Nat Gas Burner Assembly Complete*** **	265-53623-06-32	265-53623-04-30	265-53632-04-32
22 Nat. Gas Burner**	228-42506-00	228-42506-00	228-42506-00
23 Nat. Gas Main Burner Orifice** (0Ft. to 2,000Ft.)	234-41034-32	234-41034-30	234-41034-32
Nat. Gas High Altitude Orifice 2,001Ft. to 7,000Ft. (-475 model suffixes)**	234-41034-36	234-41034-32	234-41034-36
Nat. Gas High Altitude Kit 7,001Ft. to 10,000Ft.	265-51311-02-40	265-51311-02-35	265-51311-02-40
24 Feedline	233-48094-05	233-48094-04	233-48094-04
25 Nat. Gas Pilot Assembly**	233-52946-05	233-52946-05	233-52946-05
LP Gas Burner Assembly			
26 LP Gas Burner Assembly Complete*** **	265-53634-05-50	265-53634-03-47	265-53634-04-51
27 LP Gas Burner**	228-46964-00	228-47000-00	228-46964-00
28 LP Gas Main Burner Orifice**	234-47064-50	234-47064-47	234-47064-51
LP Gas High Altitude Orifice 2,001Ft. to 7,000Ft. (-475 model suffixes)**	234-47064-52	234-47064-50	234-47064-53
LP Gas High Altitude Orifice 7,001Ft. to 10,000Ft.**	265-51367-02-53	265-51367-02-51	265-51367-02-54
29 Feedline	233-47108-05	243-47108-04	233-47108-04
30 LP Gas Pilot Assembly**	233-52947-05	233-52947-05	233-52947-05
LP to Nat. Gas Conversion Kit	265-53621-46	265-53621-48	265-53621-43
LP to Nat. Gas High Altitude Conversion Kit (-475 model suffixes)**	265-53621-47	265-53621-49	265-53621-44

* Applies to all warranties

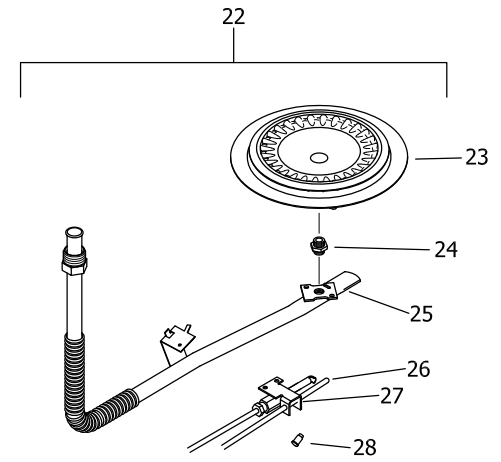
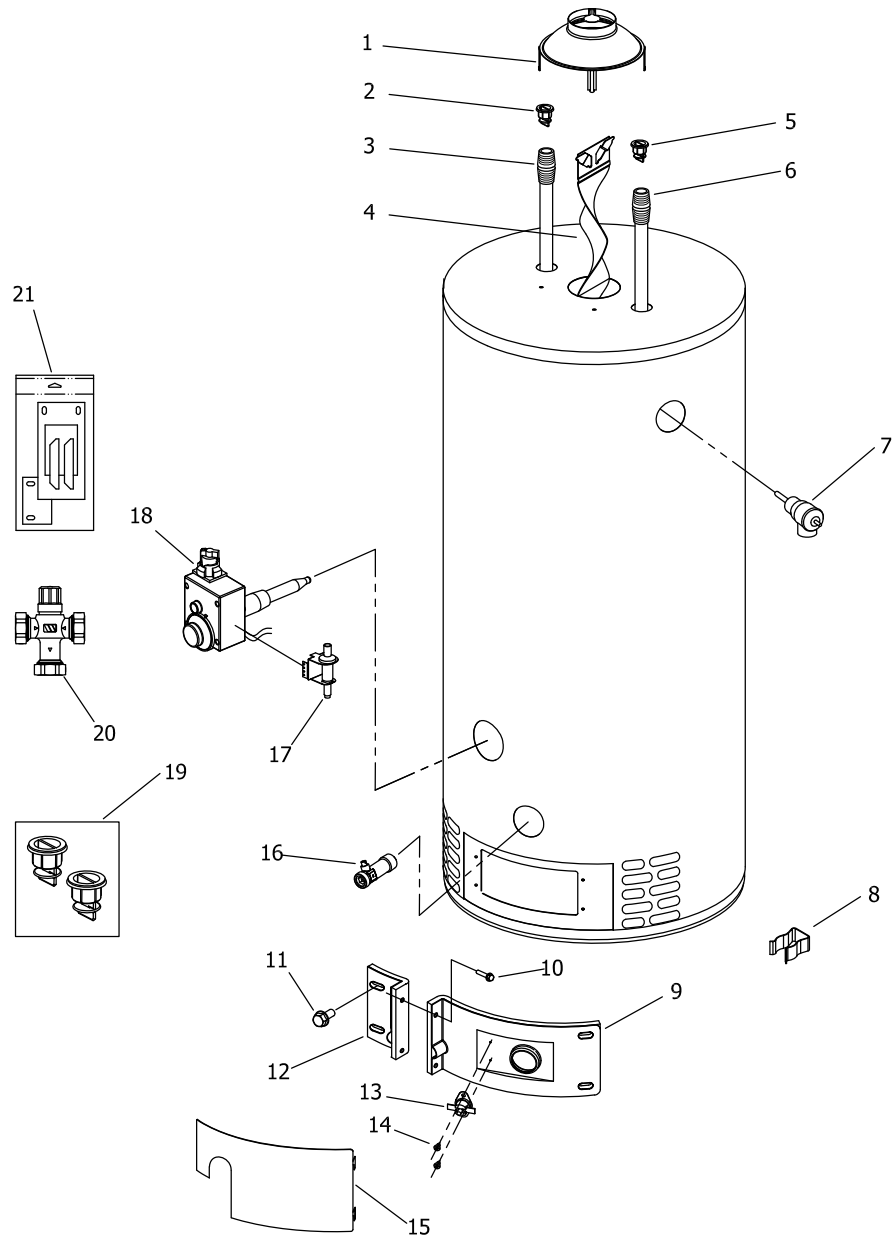
** Inner door gasket kit recommended

*** Ordering a complete burner assembly may increase delivery time. Please order the specific component required for the quickest delivery.

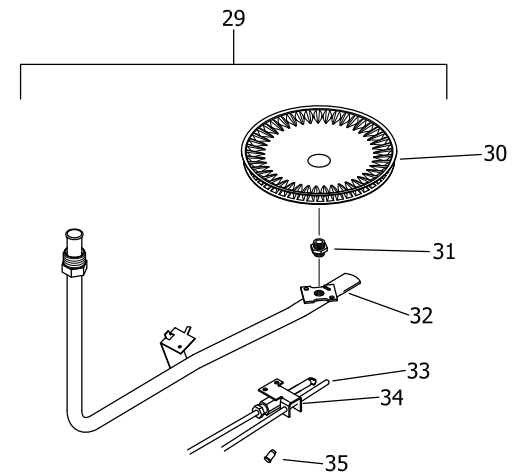
▲ Order with item 2

▲▲ Order with item 5

Anode may need to be cut to length



NATURAL GAS (BN) BURNER ASSEMBLY



LP GAS (SX) BURNER ASSEMBLY

Item Description	Model	Model	Model	Model
	RG250L*(N,X)-500	RG250S*(N,X)-500	RG250T*(N,X)-500	RG250R*(N,X)-500
1 Draft Diverter	239-45787-00	239-33081-02-20-15	239-45787-00	239-45787-00
2 Heat Trap Insert (Outlet)	415-45167-00	415-45167-00	415-45167-00	415-45167-00
3 Hot Water Outlet Anode (Magnesium)▲#	415-47776-19	415-47776-19	415-47776-19	415-47776-19
Hot Water Outlet (Aluminum)▲#	415-32999-42	415-32999-42	415-32999-42	415-32999-42
Hot Water Outlet (A420 Aluminum)▲#	415-49560-10	415-49560-10	415-49560-10	415-49560-10
4 Flue Baffle	243-45223-00	243-53148-00	243-44705-00	243-54748-00
5 Heat Trap Insert (Inlet)	415-51556-00	415-51556-00	415-51556-00	415-51556-00
6 Cold Water Inlet Dip Tube (PEX)▲▲	415-51230-20	415-51230-14	415-51230-18	415-51230-14
7 T&P Relief Valve	415-40594-02	415-40594-02	415-40594-02	415-40594-02
8 Feedline Clip	239-47475-00	239-47475-00	239-47475-00	239-47475-00
9 Right Side Inner Door Complete	239-43963-09	239-43963-06	239-43963-07	239-43963-06
10 Screw-#8-18 x 3/4 HWH	239-44195-00	239-44195-00	239-44195-00	239-44195-00
11 Screw-#10-12 x 3/4 HWH	239-44113-00	239-44113-00	239-44113-00	239-44113-00
12 Left Side Inner Door Complete	239-43968-20	239-43968-18	239-43968-18	239-43968-18
13 Resettable Thermal Switch	415-43676-01	415-43676-01	415-43676-02	415-43676-01
14 Screw-#6-20 x 3/8 PHCR	239-43967-00	239-43967-00	239-43967-00	239-43967-00
15 Outer Door	239-43962-00	239-43962-00	239-43962-00	239-43962-00
16 Brass Drain Valve	415-42351-02	415-42351-02	415-42351-02	415-42351-02
17 Piezo Igniter Kit	243-43450-00	243-43450-00	243-43450-00	243-43450-00
18 T-Stat Direct Replacement (Natural Gas)	265-46181-02	265-46181-02	265-46181-02	265-46181-02
T-Stat Direct Replacement (LP Gas)	265-46182-02	265-46182-02	265-46182-02	265-46182-02
19 Kit-Heat Trap Insert	265-51572-00	265-51572-00	265-51572-00	265-51572-00
20 ASSE Approved Mixing Valve (Optional)	239-51778-00	239-51778-00	239-51778-00	239-51778-00
21 Inner Door Gasket Kit	239-44078-00	239-44078-00	239-44078-00	239-44078-00
Natural Gas Burner Assembly				
22 Nat Gas Burner Assembly Complete*** **	265-47439-10-32	265-47439-07-30	265-47439-05-32	265-47439-07-32
23 Nat. Gas Burner**	228-42506-00	228-42506-00	228-42506-00	228-42506-00
24 Nat. Gas Main Burner Orifice**	234-41034-32	234-41034-30	234-41034-32	234-41034-32
25 Feedline	233-48094-05	233-48094-04	233-48094-04	233-48094-04
26 Pilot Assembly Thermopile	415-46501-24	415-46501-24	415-46501-24	415-46501-24
27 Nat. Gas Pilot Assembly**	233-46277-04	233-46277-04	233-46277-04	233-46277-04
28 Pilot Assembly Orifice	234-46502-05	234-46502-05	234-46502-05	234-46502-05
LP Gas Burner Assembly				
29 LP Gas Burner Assembly Complete*** **	265-48038-05-50	265-47440-08-47	265-47115-04-51	265-47440-11-51
30 LP Gas Burner**	228-46964-00	228-47000-00	228-46964-00	228-46964-00
31 L.P. Gas Main Burner Orifice**	234-47064-50	234-47064-47	234-47064-51	234-47064-51
32 Feedline	233-47108-05	233-47108-04	233-47108-04	233-47108-04
33 Pilot Assembly Thermopile	415-46501-24	415-46501-24	415-46501-24	415-46501-24
34 LP Gas Pilot Assembly**	233-46278-03	233-46278-03	233-46278-03	233-46278-03
35 Pilot Assembly Orifice	234-46502-02	234-46502-02	234-46502-02	234-46502-02

* Applies to all warranties

** Inner door gasket kit recommended

*** Ordering a complete burner assembly may increase delivery time. Please order the specific component required for the quickest delivery.

▲ Order with item 2

▲▲ Order with item 5

Anode may need to be cut to length



United States

Sales 800-523-2931

Technical Support 800-334-3393

Email techserv@bradfordwhite.com

Warranty 800-531-2111

Email warranty@bradfordwhite.com

Service Parts 800-538-2020

Email parts@bradfordwhite.com

Canada

Sales & Technical Support 866-690-0961 905-203-0600

Fax 905-636-0666

Warranty bwccwarranty@bradfordwhite.com

Technical Support bwccotech@bradfordwhite.com

Service Parts orders@bradfordwhitecanada.com

Orders ca.orders@bradfordwhite.com

For U.S. and Canada field service,
contact your professional installer or
local Bradford White sales representative.

International

General Contact international@bradfordwhite.com