

## For Non-Health Hazard Applications

Job Name \_\_\_\_\_

Contractor \_\_\_\_\_

Job Location \_\_\_\_\_

Approval \_\_\_\_\_

Engineer \_\_\_\_\_

Contractor's P.O. No. \_\_\_\_\_

Approval \_\_\_\_\_

Representative \_\_\_\_\_

# LEAD FREE\*

## Series 611

### Valve Setter - Flange by Flange

### Used with MasterSeries®

### N-Shape Assemblies

Sizes: 2½" - 10" (65mm-250mm)

The FEBCO Series 611 Flange by Flange Valve Setter is constructed of fusion epoxy coated ductile iron. Valve setters are designed to augment the installation of the "N" series backflow prevention valves. Integral ductile iron support between elbow transfers thrust downstream, thus eliminating thrust block requirements between elbows. The 611 features Lead Free\* construction to comply with Lead Free\* installation requirements.

#### Features

- Corrosion resistant fusion epoxy coated.
- Eliminates the need for thrust blocks or other restraints at the point of installation.
- Flanges: ANSI B16.1 Class 125 (Standard)  
ISO 7005-2 (Optional. Contact factory for dimensions.)  
AS 2129 (Optional. Contact factory for dimensions.)

#### Pressure – Temperature

Maximum Working Pressure: 175psi (12.1 bar)  
Temperature Range: 32°F to 140°F (0°C to 60°C)

#### Materials

Body: Ductile iron A536 GR 65-45-12  
Coating: Fusion epoxy coated internal and external  
AWWA C550  
Bolts & Nuts: Stainless steel

#### NOTICE

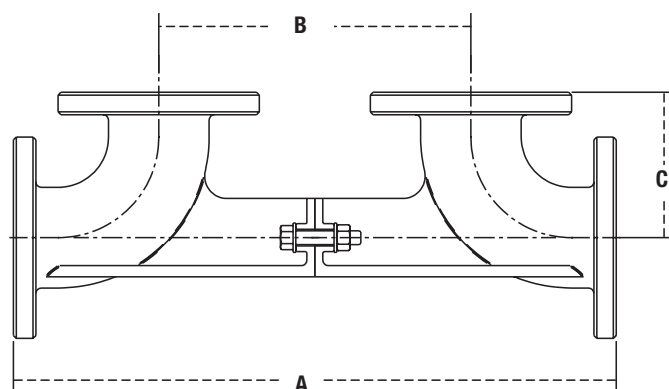
Flange bolts and gaskets are not included (except for center joint).

#### NOTICE

Inquire with governing authorities for local installation requirements



Series 611



#### Dimensions – Weights

Size: 2½" - 10" (65 - 250mm)

SIZE (DN)		DIMENSIONS						WEIGHTS	
in.	mm	A		B		C		lbs.	kgs.
2½	65	23½	597	12½	318	5½	140	73	33.1
3	80	23½	597	12½	318	5½	140	73	33.1
4	100	27	686	14	356	6½	165	100	45.4
6	150	32	813	16	406	8	203	144	65.3
8	200	36½	927	18½	470	9	229	228	103.4
10	250	43	1092	21	533	11	279	310	140.6

#### NOTICE

Dimensions shown are nominal. Allowances must be made for normal manufacturing tolerances.

\*The wetted surface of this product contacted by consumable water contains less than 0.25% of lead by weight.

FEBCO product specifications in U.S. customary units and metric are approximate and are provided for reference only. For precise measurements, please contact FEBCO Technical Service. FEBCO reserves the right to change or modify product design, construction, specifications, or materials without prior notice and without incurring any obligation to make such changes and modifications on FEBCO products previously or subsequently sold.



**USA:** Tel: (800) 767-1234 • Fax: (800) 788-4491 • FEBCOonline.com  
**Canada:** Tel: (905) 332-4090 • Fax: (905) 332-7068 • FEBCOonline.ca  
**Latin America:** (52) 81-1001-8600 • Fax: (52) 81-8000-7091 • FEBCOonline.com  
ES-F-611Flange 1330

**A WATTS Brand**