



# SINK FAUCET Z843M1-XL

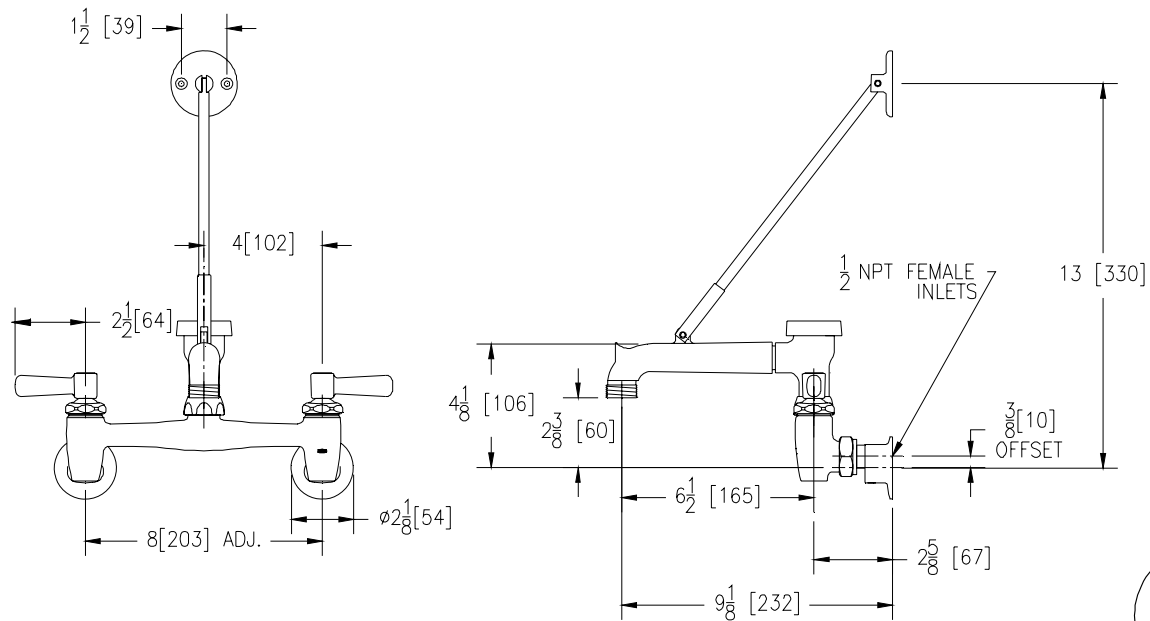
TAG \_\_\_\_\_



### Engineering Specifications: Zurn AquaSpec® Z843M1-XL

Polished chrome-plated cast brass 8" [203mm] sink faucet with quarter turn ceramic disc cartridges, 3/8" [10mm] short swivel inlets providing adjustable centers from 7-1/4" [184mm] to 8-3/4" [222mm], integral service stops and a 6" [152mm] centerline cast brass spout with chemical resistant atmospheric vacuum breaker, 3/4" hose threaded outlet, pail hook and adjustable wall brace. Unit is furnished with 2-1/2" [64mm] vandal-resistant color-coded brass lever handles. Vacuum breaker is certified to the Uniform Plumbing Code®, ASSE 1001-2002 and CSA B64-01. (Note: Atmospheric vacuum breaker not intended for continuous pressure applications.)

Zurn Lead Compliant\* "XL" products are a line of durable, high quality brass faucets and fixtures that are designed and manufactured to comply with state laws and local codes that mandate lead content levels. Zurn "XL" products are manufactured with \*not more than 0.25% lead content when used with respect to wetted surfaces of pipes and pipe fittings, plumbing fitting and fixtures: California Health & Safety Code § 116875; Vermont 9 VCA § 2470h.



Note: All dimensions are for reference only. Do not use for pre-plumbing



### OPTIONAL ACCESSORIES

Suffix	Description
___-CS	Check Stops
___-HCT	Hot/Cold Text Indexes
___-LSI	2-1/2" [64mm] Long Swivel Inlets
___-WHK	Wall Hook
___-5H	5' [152cm] Vinyl Hose

ZURN INDUSTRIES, LLC ♦ COMMERCIAL BRASS OPERATION ♦ 2640 SOUTH WORK STREET ♦ FALCONER NY 14733

Phone: 1-800-997-3876 ♦ Fax: 1-919-775-3541 ♦ www.zurn.com

In Canada: ZURN INDUSTRIES LIMITED ♦ 3544 Nashua Drive ♦ Mississauga, Ontario L4V1L2 ♦ Phone: 905/405-8272 Fax: 905/405-1292