

For Commercial Applications

Job Name _____

Contractor _____

Job Location _____

Approval _____

Engineer _____

Contractor's P.O. No. _____

Approval _____

Representative _____

Series 77F-SS, 77G-SS

Stainless Steel Flanged and Grooved Strainers

Sizes: 2½" – 12" (65 – 300mm)

Series 77F-SS, 77G-SS Stainless Steel Strainers are light-weight, fabricated wye-pattern strainers designed to remove dirt and other debris from fluid systems. A simple cover and coupling permits easy removal of dirt from the strainer's stainless steel screen, or replacement of the screen.

Features

- 304 stainless steel body exhibits superior corrosion resistance compared to cast iron; eliminates casting porosity problems; complies with NSF 61 and FDA requirements
- 50% lighter than cast iron valves, reducing handling and installation equipment costs
- Lead-free construction complies with California Prop. 65 and proposed Federal Government lead-free standards
- Single, two-bolt, grooved style cover provides quick and easy access, saving disassembly/assembly time
- Screen retainer cover is tapped for strainer clean out by opening a blow-off valve or the standardly furnished closure plug

Materials

Body:	304 stainless steel, ASTM A-312
Flanges:	zinc-plated, ASTM A – 36 carbon steel
Cover:	304SS sizes 6", 8", 10" (150, 200, 250mm); ductile iron sizes 2½" – 4" and 12" (65 – 100, 300mm); epoxy coated ductile iron sizes 2½" – 4" and 12" (65 – 100, 300mm) on FDA models
Cover Gasket:	EPDM, ambient to 150°F (66°C)
Grooved Coupling:	ductile iron, ASTM A-536
Bolts:	heat treated (SAE J-429) steel, ASTM B-633
Nuts:	heat treated (SAE J-429) steel, ASTM B-633
Plug:	brass, ASTM B-584
Screen:	304 stainless steel, ASTM A-276



**77F-SS
(Flanged)**



**77G-SS
(Grooved)**

Specifications

Strainer shall be installed where indicated on the plans to remove dirt and other debris from fluid system. Strainer shall be manufactured from 304 stainless steel and be lead free. Strainer shall be Watts Regulator Company Series 77F-SS (flanged ends) or 77G-SS (grooved ends).

Watts product specifications in U.S. customary units and metric are approximate and are provided for reference only. For precise measurements, please contact Watts Technical Service. Watts reserves the right to change or modify product design, construction, specifications, or materials without prior notice and without incurring any obligation to make such changes and modifications on Watts products previously or subsequently sold.

WATTS®
REGULATOR

Pressure — Temperature

WOG: 200psi @ 150°F (13.8 bar @ 66°C)

Standards

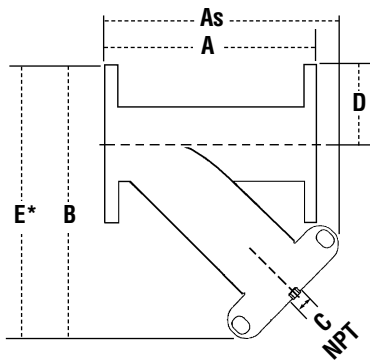
Dimensions and drilled flange holes conform to ANSI B16.1, Class 125 cast iron and Class 150 cast steel flanges.

Standard Screens

SIZE		STANDARD SCREEN OPENINGS
in.	mm	
2½" – 5"	65 – 125	¼" (2mm) perforation
6" – 8"	150 – 200	⅜" (3mm) perforation
10" – 12"	250 – 300	¾" (5mm) perforation

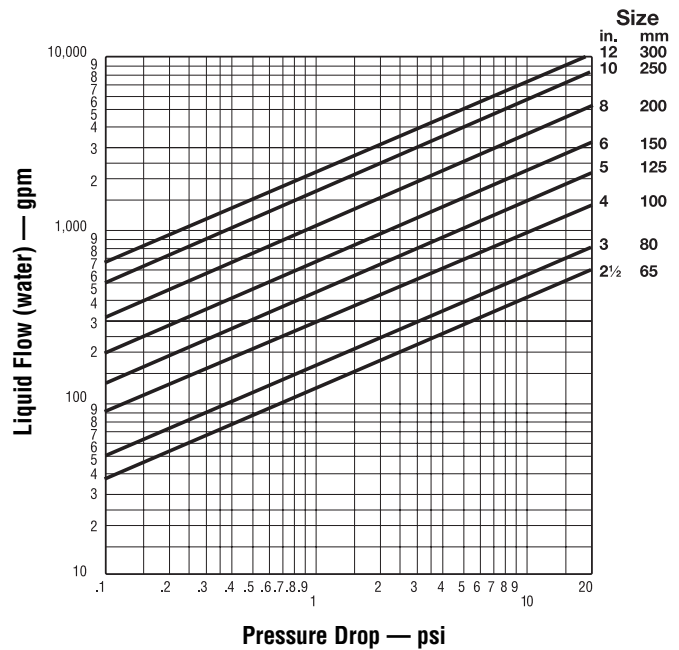
Screen material is stainless steel.

Dimensions – Weights



Flow Capacity Flanged and Grooved

The flow coefficient (Cv) is the number of gallons per minute of water flowing through a given size restriction at a pressure drop of 1psi. To obtain the Cv factor for a given size strainer, read capacity at intersection with the 1psi pressure drop.



Note: To convert gpm to lpm, multiply by 3.785
To convert psi to bar, multiply by .069

SIZE DN		DIMENSIONS						WEIGHTS							
(NPS)		A		As		B		C (NPT)		D		E*		lbs.	kgs.
in.	mm	in.	mm	in.	mm	in.	mm	in.	mm	in.	mm	in.	mm		
Series 77F-SS Flanged															
2½	65	10	254	11⅜	284	12⅛	329	½	13	3½	89	17⅞	446	21	9.5
3	80	10⅞	257	11⅜	281	13	330	½	13	3¾	95	18½	470	26	11.8
4	100	12⅞	308	14⅜	360	15¾	400	½	13	4½	114	23	584	33	15.0
6	150	18½	470	20⅞	513	21⅝	541	¾	19	5½	140	31¼	794	70	31.8
8	200	21⅞	549	24⅞	624	26⅞	670	¾	19	6¾	171	39⅞	992	91	41.3
10	250	26	660	32⅞	818	32⅛	830	¾	19	8	203	49	1245	134	60.8
12	300	29⅞	759	35½	902	37⅞	949	¾	19	9½	241	56⅞	1437	225	102.1
Series 77G-SS Grooved															
2½	65	9½	241	11⅜	284	10¼	260	½	13	1½	38	15⅞	395	21	9.5
3	80	9⅞	244	11⅜	281	11¼	286	½	13	2⅛	52	16¾	425	26	11.8
4	100	11⅞	295	14⅜	360	13⅞	344	½	13	2¼	57	20¾	527	33	15.0
6	150	18	457	20⅞	513	19⅞	487	¾	19	3⅞	86	29⅞	740	70	31.8
8	200	21⅞	537	24⅞	624	24	610	¾	19	4⅞	111	36⅞	932	91	41.3
10	250	25½	648	32⅞	818	30⅞	765	¾	19	5⅞	138	46⅞	1180	134	60.8
12	300	29⅞	746	35½	902	34⅞	872	¾	19	6⅞	164	53½	1360	225	102.0

*E dimension is minimum clearance for screen removal.



USA: 815 Chestnut St., No. Andover, MA 01845-6098; www.wattsreg.com

Canada: 5435 North Service Rd., Burlington, ONT. L7L 5H7; www.wattscanada.ca