

Lead-Free* Bronze Check Valves

Features: Silicon Performance Bronze® Alloy • Horizontal Swing • Regrinding Type • Y-Pattern • Renewable Seat and Disc

Approvals: Conforms to MSS SP-139 • NSF/ANSI-61-8 Commercial Hot 180°F (includes annex F and G) and NSF/ANSI-372

Size Range: 1/4" - 2"

Pressure Rating: 200 PSI Non-Shock Cold Working Pressure

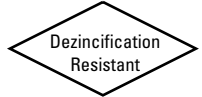
Maximum Pressure / Temperature: 100 PSI at 300° F

Lead-Free* marking:

Double oval in body casting



NSF/ANSI 61
NSF/ANSI 372



T-413-Y-LF
Threaded



S-413-Y-LF
Solder

MATERIAL LIST

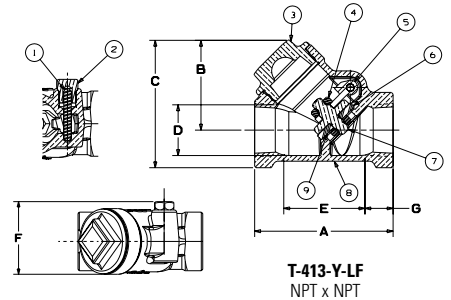
PART	SPECIFICATION
1. Hinge Pin	316SS or 304SS
2. Hinge Pin Plug	Silicon Bronze ASTM B283 Alloy C69300
3. Bonnet	Silicon Bronze ASTM B584 Alloy C87850
4. Nut (2)	316SS or 304SS
5. Disc Hanger	Silicon Bronze ASTM B584 Alloy C87850 or MPIF SS-316NI-25
6. Seat Disc	PTFE
7.* Seat Disc Washer	304SS or 316SS
8. Disc Holder	Silicon Bronze ASTM B283 Alloy C69300
9. Body	Silicon Bronze ASTM B584 Alloy C87850

*Sizes 3/4", 1", 1 1/4", 1 1/2" and 2" only.

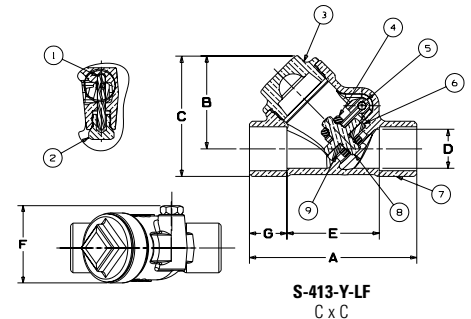
DIMENSIONS—WEIGHTS—QUANTITIES

SIZE	A	B	C	D	E	F	G	T-413-LF	Master
In. mm.	In. mm.	In. mm.	In. mm.	In. mm.	In. mm.	In. mm.	In. mm.	Lbs. Kg.	Ctn Qty.
1/4	8 2.12	53.85 1.31	33.27 1.37	34.79 0.67	17 1.57	40 1.401	27 0.26	7 0.508	0.23 50
3/8	10 2.12	53.85 1.31	33.27 1.31	33.27 0.67	17 1.40	36 1.401	27 0.35	9 0.478	0.22 50
1/2	15 2.44	62 1.66	42 2.31	59 0.81	21 1.61	41 1.401	33 0.42	11 0.55	0.25 50
3/4	20 2.9	74 1.88	48 2.67	68 1.04	26 2.06	52 1.702	40 0.42	11 0.90	0.41 50
1	25 3.56	90 2.27	58 3.29	84 1.26	32 2.44	62 1.953	52 0.55	14 1.46	0.66 30
1-1/4	32 4.18	106 2.73	69 3.93	100 1.59	40 3.00	76 2.179	60 0.59	15 2.17	0.99 20
1-1/2	40 4.48	114 3.08	78 4.44	113 1.86	47 3.39	86 2.430	70 0.57	13 2.95	1.34 10
2	50 5.29	134 3.84	98 5.48	139 2.29	58 3.74	95 3.067	83 0.76	19 4.79	2.17 10

SIZE	A	B	C	D	E	F	G	S-413-LF	Master
In. mm.	In. mm.	In. mm.	In. mm.	In. mm.	In. mm.	In. mm.	In. mm.	Lbs. Kg.	Ctn Qty.
1/4	8 2.12	53.85 1.31	33.27 1.37	34.79 0.67	17 1.57	40 1.401	27 0.26	7 0.508	0.23 50
3/8	10 2.12	53.85 1.31	33.27 1.31	33.27 0.67	17 1.40	36 1.401	27 0.35	9 0.478	0.22 50
1/2	15 2.52	64 1.540	42 1.940	49 0.54	14 1.52	39 1.416	20 0.50	13 0.55	0.25 50
3/4	20 3.34	85 1.861	48 2.410	61 0.78	20 1.84	47 1.717	28 0.75	19 0.88	0.40 50
1	25 4.06	103 2.206	29 2.880	73 1.02	26 2.25	57 1.947	34 0.91	23 1.48	0.67 30
1-1/4	32 4.69	119 2.737	38 3.520	89 1.26	32 2.75	70 2.178	40 0.97	25 2.22	1.01 20
1-1/2	40 5.28	134 3.030	44 3.950	100 1.51	38 3.09	78 2.429	47 1.09	28 3.00	1.36 10
2	50 6.44	164 3.640	98 4.863	123 1.98	50 3.74	95 3.073	62 1.34	34 4.87	2.21 10



T-413-Y-LF
NPT x NPT



S-413-Y-LF
C x C

NIBCO check valves may be installed in both horizontal and vertical lines with upward flow or in any intermediate position. They will operate satisfactorily in a declining plane (no more than 15°). Install check valves as far from pump discharge or line direction change as possible and at a minimum length of 5 times the pipe diameter.

Do not use for reciprocating air compressor service.

Press end valve also available (PC-413-Y-LF).
See NIBCO® Press System catalog.

*Weighted average lead content ≤ 0.25%