

Lead-Free* Three Piece Bronze Ball Valves

Features: Silicon Performance Bronze® Alloy • Three-Piece Body • Full Port
• Blowout-Proof Stem

Approvals: MSS SP-110 • NSF/ANSI-61-8 Commercial Hot 180°F (includes annex F and G) and NSF/ANSI-372

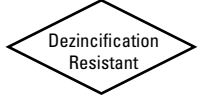
Size range: 1/4" - 2-1/2"

Pressure rating: 600 PSI non-shock cold working pressure

Maximum pressure / temperature: 100 PSI at 300° F

Lead-free* markings:

Double oval in body casting, white handle and blue hang tag



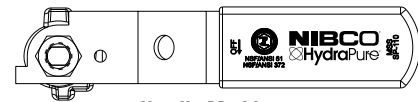
NSF/ANSI 61
NSF/ANSI 372



T-595-Y-LF
Threaded



S-595-Y-LF
Solder

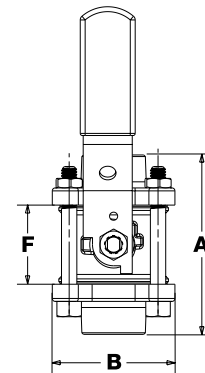
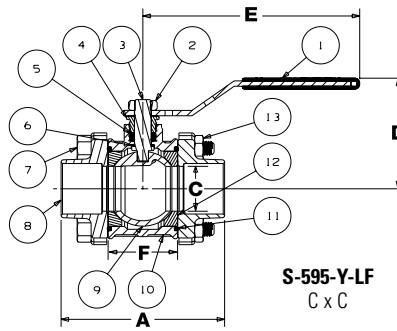
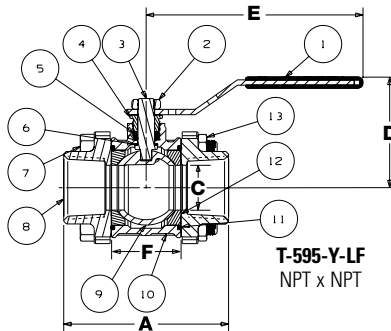


Handle Markings

MATERIAL LIST

PART	SPECIFICATION
1. Handle	Steel, Plated Plastisol Coated
2. Handle Nut	Zinc Plated Steel
3. Stem	Silicon Bronze ASTM B371 Alloy C69300
4. Threaded Pack Gland	Brass ASTM B16 Alloy C36000
5. Packing	PTFE
6. Thrust Washer	Reinforced PTFE
7. Body Bolts	Zinc Dichromate Plated Steel ASTM A449 Grade 5
8. Body End (2)	Silicon Bronze ASTM B584 Alloy C87850
9. Ball	Silicon Bronze ASTM B283 Alloy C69300 or Stainless Steel ASTM A276 Type 316
10. Body	Silicon Bronze ASTM B584 Alloy C87850
11. O-Ring Seal (2)	FKM
12. Seat Ring (2)	PTFE
13. Body Nuts	Zinc Dichromate Plated Steel ASTM A449 Grade 5

Note: valves are static grounded by a grounding washer. (Not Shown)



DIMENSIONS—WEIGHTS—QUANTITIES

Size	T-595-Y-LF		S-595-Y-LF		Dimensions								T-595-Y-LF		S-595-Y-LF		Master Ctn. Qty.			
	A	A	B	C	D	E	F	Lbs.	Kg.	Lbs.	Kg.									
1/4	8	2.50	64	1.69	43	1.81	46	.38	10	1.69	43	3.91	99	1.13	29	1.03	.47	.89	.40	50
3/8	10	2.50	64	1.81	46	1.81	46	.38	10	1.69	43	3.91	99	1.13	29	.98	.44	.89	.40	50
1/2	15	2.50	64	2.06	52	1.81	46	.50	13	1.69	43	3.91	99	1.13	29	1.03	.47	.89	.40	50
3/4	20	3.00	76	2.94	75	1.94	49	.75	19	2.00	51	4.66	118	1.44	37	1.70	.77	1.59	.72	30
1	25	3.69	94	3.66	93	2.50	64	1.00	25	2.25	57	4.66	118	1.84	47	2.82	1.28	2.55	1.15	20
1 1/4	32	4.09	104	3.91	99	2.69	68	1.25	32	2.75	70	6.69	170	1.97	50	3.96	1.80	3.61	1.64	10
1 1/2	40	4.56	116	4.60	117	3.00	76	1.50	38	2.97	75	6.69	170	2.38	60	5.68	2.57	5.31	2.41	10
2	50	6.16	156	5.78	147	4.00	102	2.00	51	3.63	92	6.69	170	3.06	78	11.40	5.17	10.60	4.81	4
2 1/2	65	6.84	174	6.94	176	5.00	127	2.50	64	4.09	104	8.00	203	4.00	102	21.07	9.56	19.30	8.75	2

*Weighted average lead content ≤ 0.25%