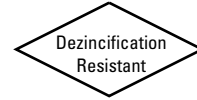


Lead-Free* Brass Ball Valves - Solder

Features: Two-Piece Body • Full Port • Blowout-Proof Stem • PTFE Seats

Approvals: NSF/ANSI 61-8 (includes annex F and G) • NSF/ANSI 372 • IAPMO IGC-157 • MSS SP-110

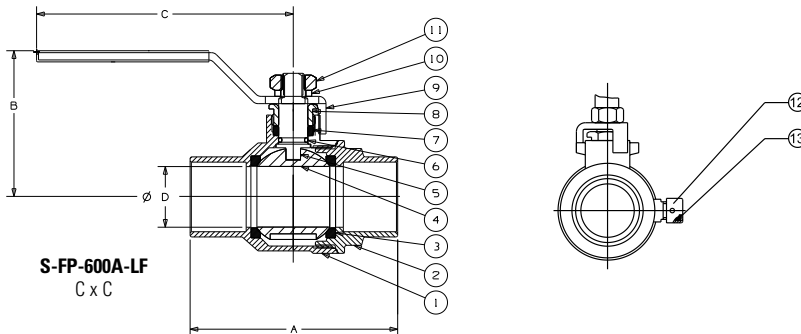
3/8"-2" 600 PSI non-shock cold working pressure
2-1/2"-3" 400 PSI non-shock cold working pressure



MATERIAL LIST

PART	SPECIFICATION
1. Body	Forged DZR Copper Alloy
2. End Cap	Forged DZR Copper Alloy
3. Ball Seat	PTFE
4. Ball	Stainless Steel or Chrome Plated Brass
5. Stem	Brass
6. O-Ring (Stem Seal)	Fluorocarbon (FKM)
7. Stem Packing	PTFE
8. Packing Nut	Brass
9. Lever Handle	Steel, Plated
10. Lock Washer	Stainless Steel
11. Handle Nut	Stainless Steel
12. Drain Cap*	Brass
13. Seat*	EPDM

Note: *parts 12 and 13 are applicable to valve with drain only.



S-FP-600A-LF



S-FP-600AD-LF
w/Drain

Handle Options:

- Lever
- Extended lever

DIMENSIONS—WEIGHTS—QUANTITIES

SIZE	A		B		C		D		E		F		G		J		S-FP-600A-LF		Master	
In.	mm.	In.	mm.	In.	mm.	In.	mm.	In.	mm.	In.	mm.	In.	mm.	In.	mm.	In.	mm.	Lbs.	Kg.	Ctn Qty.
3/8	10	1.75	44	3.74	95	1.5	38	0.5	13	1	25	1.02	26	0.37	9	4.62	117	0.30	0.14	18
1/2	15	1.97	50	3.74	95	1.78	45	0.63	16	0.97	25	1.28	33	0.5	13	4.74	120	0.44	0.20	18
3/4	20	2.73	69	3.97	101	1.94	49	0.88	22	1.23	31	1.57	40	0.91	23	5.31	135	0.66	0.30	12
1	25	3.34	85	4.33	110	2.51	64	1	25	1.53	39	1.89	48	0.91	23	6.04	153	1.10	0.50	6
1-1/4	32	3.8	97	5	127	2.57	65	1.38	35	1.87	47	2.28	58	0.96	24	6.88	175	1.57	0.71	4
1-1/2	40	4.42	112	6.18	157	3.04	77	1.63	41	2.21	56	2.78	71	1.1	28	8.38	213	2.40	1.09	2
2	50	5.34	136	6.18	157	3.34	85	2.12	54	2.66	68	3.46	88	1.34	34	8.85	225	3.37	1.53	2
2-1/2	65	6.24	158	9.45	240	4.78	121	2.63	67	3.28	83	4.29	109	1.48	38	12.6	320	7.60	3.45	3
3	75	7.11	181	9.51	242	5.17	131	3.13	80	3.81	97	4.96	126	1.65	42	13.1	333	16.85	7.64	1

SIZE	A		B		C		D		E		F		G		J		S-FP-600AD-LF		Master	
In.	mm.	In.	mm.	In.	mm.	In.	mm.	In.	mm.	In.	mm.	In.	mm.	In.	mm.	In.	mm.	Lbs.	Kg.	Ctn Qty.
1/2	15	1.97	50	3.74	95	1.78	45	0.63	16	0.97	25	1.78	45	0.5	13	4.74	120	0.44	0.20	18
3/4	20	2.73	69	3.97	101	1.94	49	0.88	22	1.23	31	2.09	53	0.75	19	5.31	135	0.66	0.30	12
1	50	3.34	85	4.33	110	2.51	64	1	25	1.53	39	2.40	61	0.91	23	6.04	153	1.10	0.50	6

*Weighted average lead content ≤ 0.25%