

DARSEY 114HGS – DARSEY BATH & SHOWER SUITES

114 x 42 x 78 ¾ inches

SOAKER MODEL #114HGS2P

WHIRLPOOL MODEL #114HGS2PWP



AQUATIC ADVANTAGE

- National distribution
- 6 manufacturing facilities
- Private fleet
- Centralized customer service
- Field support

COLOR OPTIONS

Stock	Upgraded	Premium
White	Almond Linen/Biscuit Bone	Black Mexican Sand Sand Bar Sterling Silver

FEATURES

- 2-piece tub & shower suite
- 42" x 42" shower with integral toiletry shelf and seat
- 72" x 42" bathtub with hourglass sump, pony wall, 2-sided wainscot and integral skirt
- Textured tile
- Molded toiletry shelves
- 8" wainscot
- 1 seat
- Right or left hand tub location
- Ergonomic backrest
- Slip-resistant textured bottom
- AcrylX™ applied acrylic surface
- Lifetime limited warranty

Whirlpool Features:

- 6 directional hydrotherapy jets
- Color matched trim (select colors)
- Pneumatic on/off control
- Advanced safety suction system

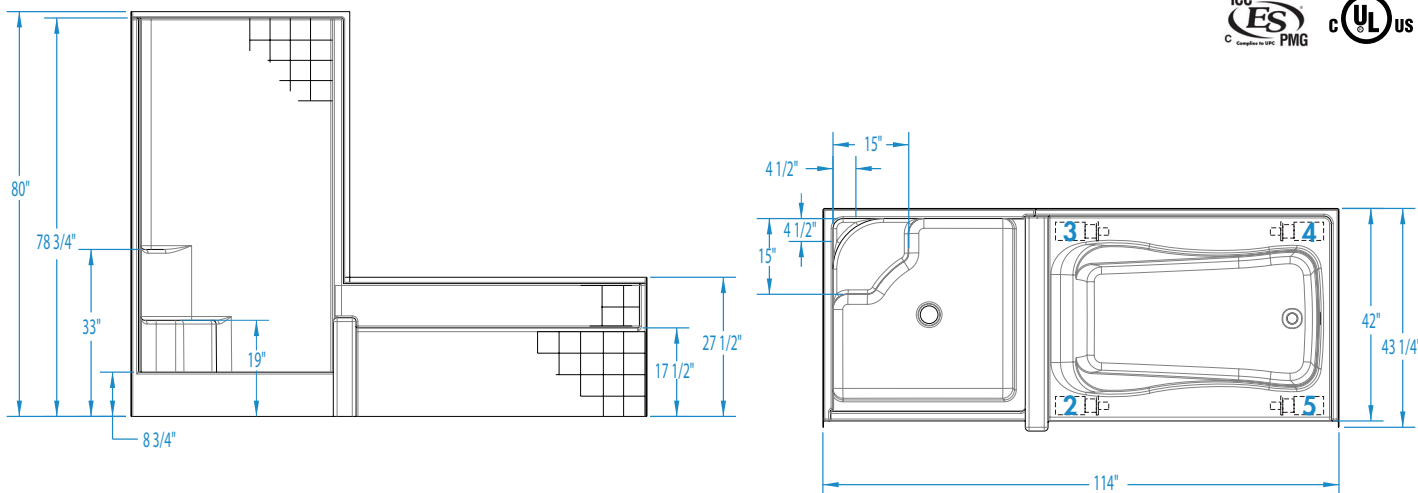
OPTIONS

- Removable access panel (whirlpool models)
- Designer drain, waste & overflow
- Shower Door Series L051



DARSEY 114HGS

114 x 42 x 78 ¾
inches



FEATURES lbs Dimensional Tolerance ± ⅜". Dimensions needed for site preparation should be measured from the unit. Aquatic assumes no responsibility for preparatory work.

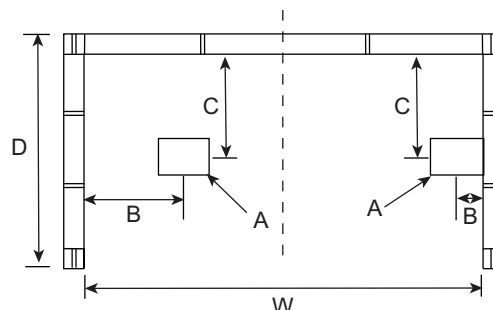
Model #	Material	Wall Finish	Jets	Motor	Controls	Drain	Net Wt.	Pkg. Wt.
Soaker #114HGS2P	AcrylX™	Textured Tile	0	-	-	LH or RH	240	250
Whirlpool #114HGS2PWP	AcrylX™	Textured Tile	6	63 GPM	Pneumatic	LH or RH	290	300

DIMENSIONS

Specifications	inches
Width: Overall / Net	114
Depth: Overall / Net	43 ¼ / 42
Height: Overall / Net	80 / 78 ¾
Enclosure Opening	-
Skirt Height	17 ½
Drain Rough-In (from Back Wall)	21 tub / 21 shower
Drain Rough-In (from Side Wall)	2 ¾ tub / 21 shower
Drain: Diameter / Clearance	2 / 1

FRAMING DIMENSIONS inches

Type	D Depth	W Width	H Height	A	B Tub/Shower	C Tub/Shower
Alcove	43 ¼	114	80	Box Out	2 ¼ / 21	21 / 21



SUMP DATA

Top of Drain to Bottom of Overflow	Capacity to Overflow gal	Min. Operating Capacity gal	WIDTH @ centerline		DEPTH @ centerline	
			Top	Bottom	Top	Bottom
12 ⅜	67	56	64 ⅞	54	27	24