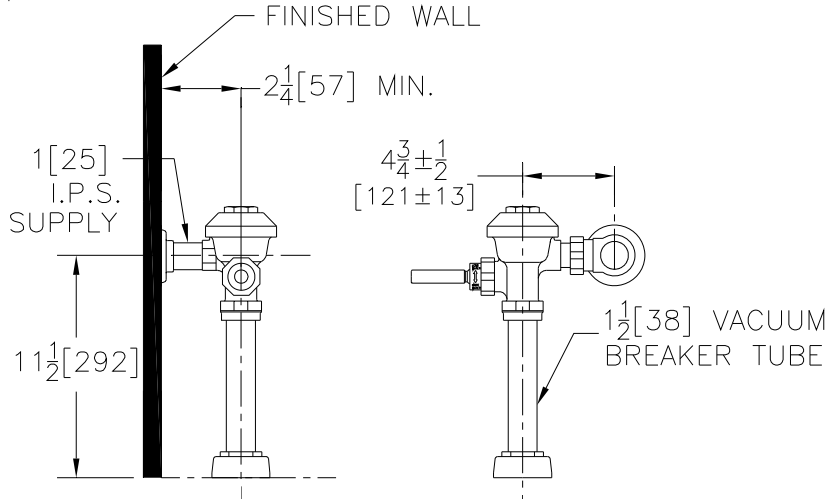


Z6000PL-DF

Exposed Manual Flush Valve for Water Closets with Dual Flush



Flow Options

- HET* 1.28/1.1 gpf High Efficiency Flush
- WS1 1.6/1.1 gpf Low Consumption Flush
- Standard 3.5/2.5 gpf
- FF 4.5/3.2 gpf Full Flush

Accessories

- BG ADA Handle coated with Zurn BioCare antimicrobial clear coating
- YJ Split Ring Pipe Support
- YK Solid Ring Pipe Support
- YO Bumper on Angle Stop
- _____ Other



www.GreenSpec.com

Architectural/Engineering Approval

The information contained in this document is subject to change without notice. Please contact Zurn for most up to date information.

ZURN INDUSTRIES, LLC. ♦ COMMERCIAL BRASS OPERATION
5900 ELWIN BUCHANAN DRIVE ♦ SANFORD NC 27330
PHONE: 1-800-997-3876 ♦ FAX: 919-775-3541
WWW.ZURN.COM

IN CANADA: ZURN INDUSTRIES LIMITED
7900 GOREWAY DRIVE UNIT 10 ♦ BRAMPTON, ONTARIO L6T5W6
PHONE: 905-405-8272 FAX: 905-405-1292

ENGINEERING SPECIFICATIONS

Exposed, quiet diaphragm-type, chrome plated flushometer valve with a polished exterior.

- Zurn's AquaVantage® TPE diaphragm
 - Clog Resistant by-pass
 - Chloramine resistant
 - Dual seal
- Proprietary DR resistant low lead brass alloy
- Dual Flush Handle
 - Lift handle up for 30% of full flush. (Liquid Waste)
 - Push handle down for full flush. (Solid waste)
 - Wall plate with graphics and instructions
 - ADA compliant
- Control Stop
 - Internal siphon-guard protection
 - Vandal resistant stop cap
 - Sweat solder kit
 - Cast wall flange with set screw
- Vacuum Breaker
 - High back pressure
 - One piece hex coupling nut
- Internal seals
 - Chloramine resistant
- Adjustable tailpiece
- Spud coupling and flange for top spud connection