

TOLCO™ Fig. 980 - Universal Swivel Sway Brace Attachment - 3/8"-16 to 3/4"-10 rods

TOLCO™ Fig. 980H - Universal Swivel Sway Brace Attachment - 7/8"-9 to 1 1/4"-7 rods

Size Range: One size fits bracing pipe 1" (25mm) thru 2" (50mm), 12 gauge (2.6mm) channel, and all structural steel up to 1/4" (31.7mm) thick.

Material: Steel. Stainless Steel Type 316 (SS6) optional.

Function: Multi-functional attachment to structure or braced pipe fitting.

Features: This product's design incorporates a concentric attachment opening which is critical to the performance of structural seismic connections. NFPA 13 (2010) 9.3.5.8.4 indicates clearly that fastener table load values are based only on concentric loading. Mounts to any surface angle. Break off bolt head assures verification of proper installation.

Installation: Fig.980 is the structural or transitional attachment component of a longitudinal or lateral sway brace assembly. It is intended to be combined with the "bracing pipe" and TOLCO "braced pipe" attachment, Fig. 1000, 1001, 2002, 4L, 4A or 4B to form a complete bracing assembly. NFPA 13 and/or OSHPD guidelines should be followed.

To Install: Place the Fig. 980 onto the "bracing pipe". Tighten the set screw until the head breaks off. Attachment can pivot for adjustment to proper brace angle.

Approvals: —Underwriters Laboratories Listed in the USA (UL) and Canada (cUL). Approved by Factory Mutual Engineering (FM). Included in our Seismic Restraints Catalog approved by the State of California Office of Statewide Health Planning and Development (OSHPD). For additional load, spacing and placement information relating to OSHPD projects, please refer to the TOLCO Seismic Restraint Systems Guidelines.

Note: Fig. 980 Swivel Attachment and Fig. 1001, Fig. 1000, Fig. 2002, Fig. 4A, Fig. 4B or Fig. 4L pipe clamps make up a sway brace system of UL Listed attachments and bracing materials which satisfies the requirements of Underwriters Laboratories and the National Fire Protection Association (NFPA)

Finish: Plain, Electro-Galvanized or Stainless Steel. Contact customer service for alternative finishes.

Order By: Figure number and finish.

US Patent Numbers

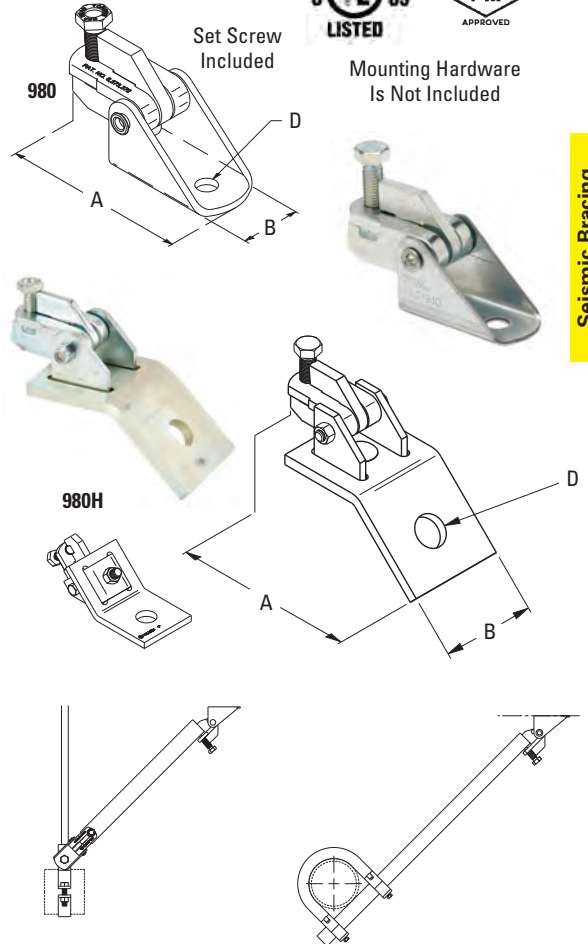
Pat. #6,273,372, Pat. #6,517,030, Pat. #6,953,174,

Pat. #6,708,930, Pat. #7,191,987, Pat. #7,441,730, Pat. #7,669,806

Component of State of California OSHPD Approved Seismic Restraints System



Mounting Hardware Is Not Included



Part Number	A		B		D*	Max. Horizontal Design Load (cULus) lbs./(kN)	Max. Horizontal Design Load** (FM)				Approx. Wt./100 lbs. (kg)
	in. (mm)	in. (mm)	in. (mm)	in. (mm)			30°-44° lbs./(kN)	45°-59° lbs./(kN)	60°-74° lbs./(kN)	75°-90° lbs./(kN)	
980-3/8	5 1/4" (133.3)	1 7/8" (47.6)	1 7/8" (47.6)	1 3/32" (10.3)						149 (67.6)	
980-1/2	5 1/4" (133.3)	1 7/8" (47.6)	1 7/8" (47.6)	1 7/32" (13.5)						148 (67.1)	
980-5/8	5 1/4" (133.3)	1 7/8" (47.6)	1 7/8" (47.6)	1 1/16" (17.5)						147 (66.7)	
980-3/4	5 1/4" (133.3)	1 7/8" (47.6)	1 7/8" (47.6)	1 3/16" (20.5)						146 (66.2)	
980H-7/8	6 3/4" (171.4)	3 1/2" (88.9)	3 1/2" (88.9)	1 5/16" (23.8)	2015 (8.96)	1320 (5.87)	1970 (8.76)	2310 (10.27)	2550 (11.34)	402 (182.3)	
980H-1	6 3/4" (171.4)	3 1/2" (88.9)	3 1/2" (88.9)	1 1/16" (27.0)						400 (181.4)	
980H-1 1/8	6 3/4" (171.4)	3 1/2" (88.9)	3 1/2" (88.9)	1 3/16" (30.2)						397 (180.1)	
980H-1 1/4	6 3/4" (171.4)	3 1/2" (88.9)	3 1/2" (88.9)	1 5/16" (33.3)						390 (176.9)	

* Mounting attachment hole size.

** Installed with 1" or 1 1/4" Schedule 40 brace pipe.

Important! - For load information when using Fig. 980 with pre-installed or post-installed concrete anchors in compliance with NFPA 13 (2016) or ASCE 7-10, including prying factors, see load tables on pages AL1 thru AL21.

Eaton's B-Line series seismic bracing components are designed to be compatible only with other B-Line series bracing components, resulting in a listed seismic bracing assembly. Eaton B-Line Division warranty for seismic bracing components will be the warranty provided in Eaton B-Line Division standard terms and conditions of sale made available by Eaton, except that, in addition to the other exclusions from Eaton B-Line Division warranty, Eaton makes no warranty relating to B-Line series seismic bracing components that are combined with products not provided by Eaton.

All dimensions in charts and on drawings are in inches. Dimensions shown in parentheses are in millimeters unless otherwise specified.