



RESIDENTIAL AND LIGHT DUTY COMMERCIAL GAS REPLACEMENT PARTS LIST

Ultra Low NOx Power Direct Vent Models



“URG2PDV” Series



Includes Hydrojet®
Total Performance System

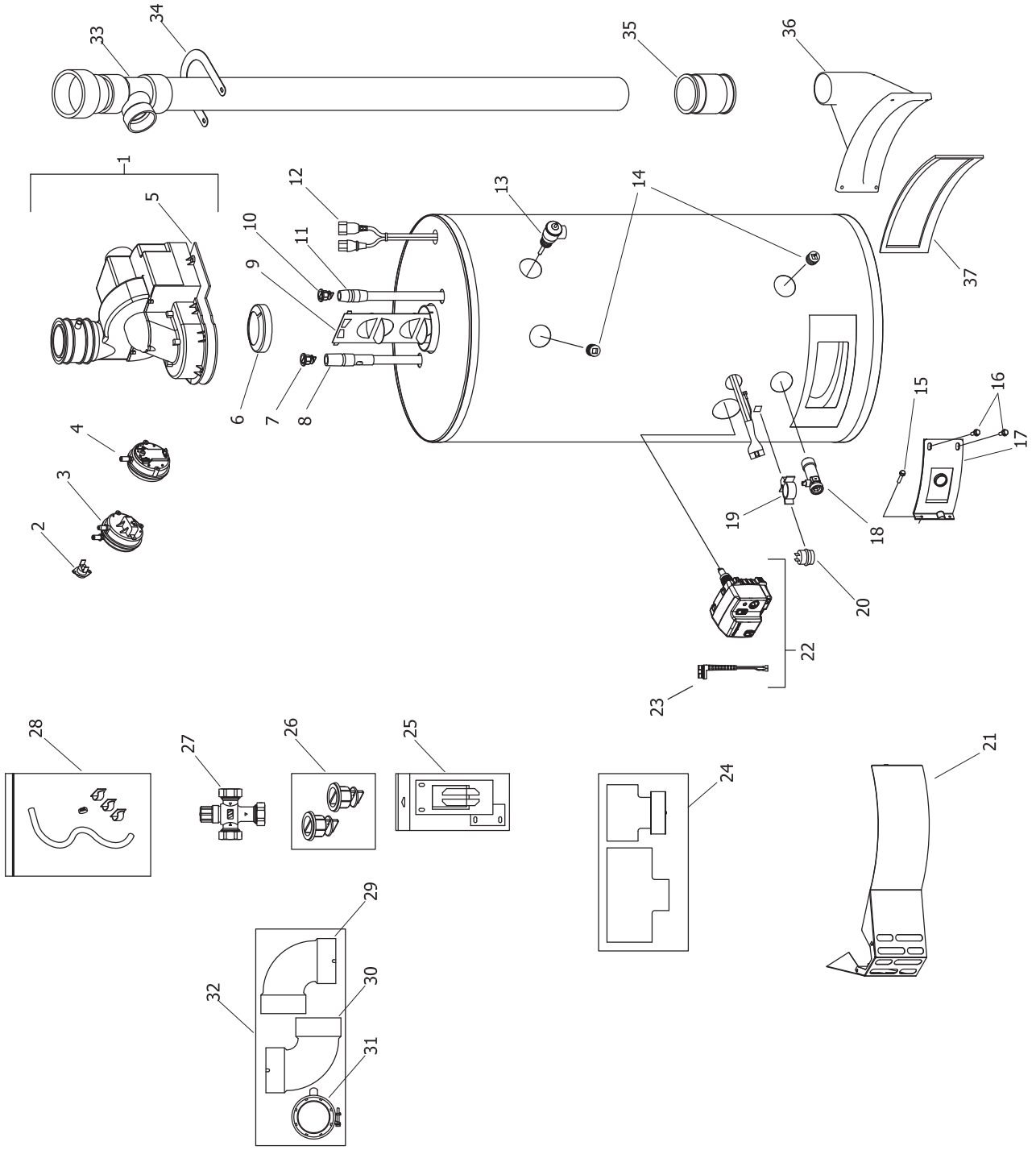
Effective: June, 2018
ECO 8195

**NOTE: BOTH MODEL AND SERIAL
NUMBERS ARE REQUIRED FOR
ORDERING REPLACEMENT PARTS**

Dimensions and specifications
subject to change without notice.



As required by the state of California Proposition 65.



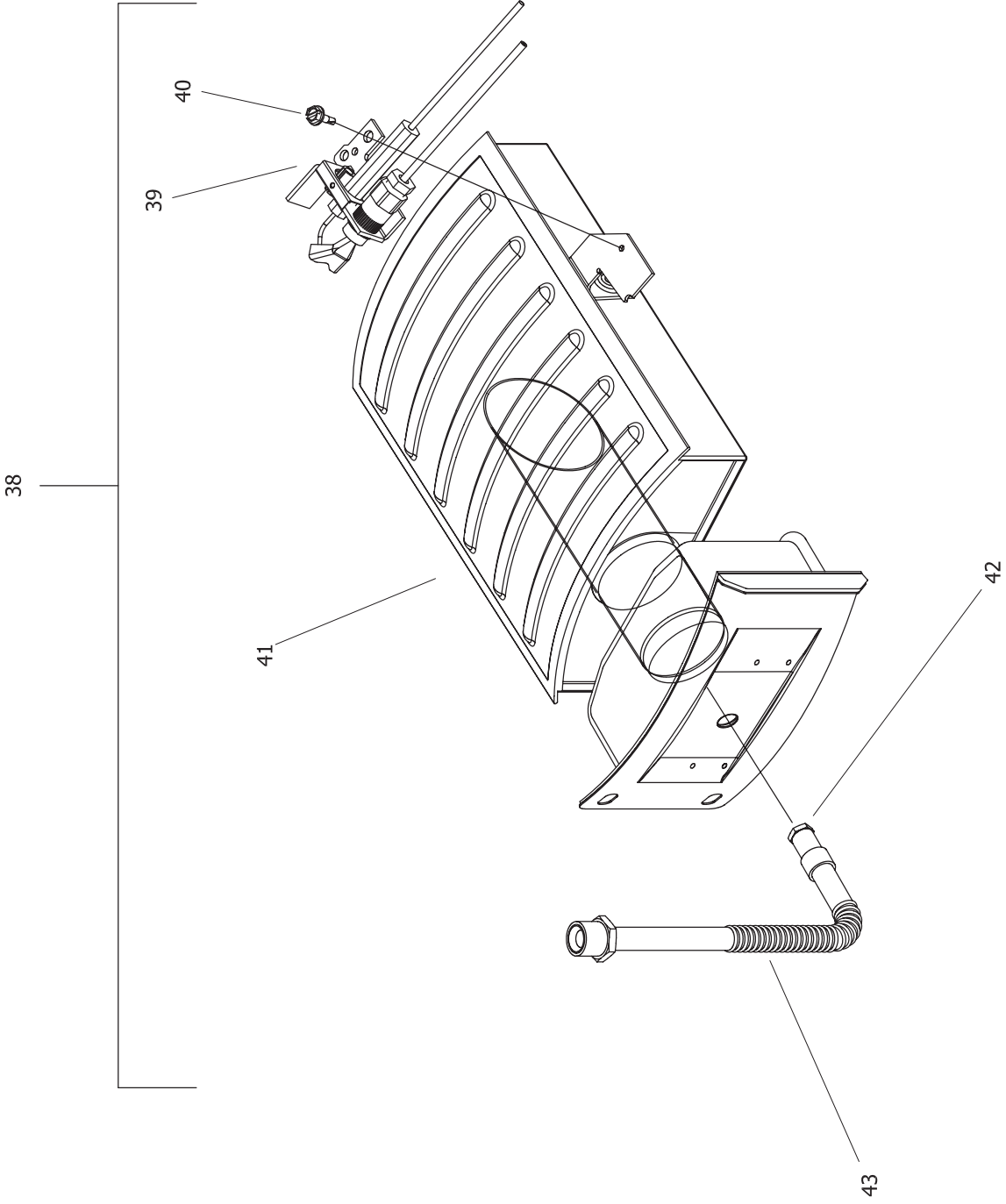
Item	Description	Model		Model		Model	
		URG2PDV40S*N	URG2PDV50S*N	URG2PDV50H*N	URG2PDV50H*N	URG2PDV50H*0N	URG2PDV50H*0N
1	Blower Assembly 0 Ft. to 2,000 Ft. (Normal Alt.)	265-47386-00	265-47386-00	265-47387-00	265-47387-00	265-47387-00	265-47387-00
	Blower Assembly 0 Ft. to 7,000 Ft. (High Alt.)	239-48527-00	239-48527-00	239-48528-00	239-48528-00	239-48528-00	239-48528-00
2	Blower Temperature Switch	239-48752-00	239-48752-00	239-48752-00	239-48752-00	239-48752-00	239-48752-00
3	Pressure Switch N.O. (Normal Alt.) Exhaust	239-48058-01	239-48058-01	239-48058-01	239-48058-01	239-48058-01	239-48058-01
	Pressure Switch N.O. (High Alt.) Exhaust	239-48058-02	239-48058-02	239-48058-02	239-48058-02	239-48058-02	239-48058-02
4	Pressure Switch N.C. Intake	239-46879-01	239-46879-01	239-46879-01	239-46879-01	239-46879-01	239-46879-01
5	Blower Gasket	239-45866-00	239-45866-00	239-45866-00	239-45866-00	239-45866-00	239-45866-00
6	Flue Reducer	---	---	243-42572-00	243-42572-00	243-42572-00	243-42572-00
7	Heat Trap Insert (Outlet)	239-45167-00	239-45167-00	239-45167-00	239-45167-00	239-45167-00	239-45167-00
8	Hot Water Outlet Anode (Magnesium) ▲ #	224-47776-19	224-47776-19	224-47776-19	224-47776-19	224-47776-19	224-47776-19
	Hot Water Outlet Anode (Aluminum) ▲ #	224-32999-42	224-32999-42	224-32999-42	224-32999-42	224-32999-42	224-32999-42
	Hot Water Outlet Anode (A420 Aluminum) ▲ #	224-49560-08	224-49560-08	224-49560-08	224-49560-08	224-49560-08	224-49560-08
9	Flue Baffle	243-45372-00	243-45372-00	239-45373-00	239-45373-00	239-45373-00	239-45373-00
10	Heat Trap Insert (Inlet)	239-51556-00	239-51556-00	239-51556-00	239-51556-00	239-51556-00	239-51556-00
11	Cold Water Inlet Dip Tube (PEX) ▲ ▲	229-51230-25	229-51230-20	229-51230-26	229-51230-26	229-51230-29	229-51230-29
12	Blower Harness	239-45617-03	239-45617-03	239-45617-02	239-45617-02	239-45617-02	239-45617-02
13	T&P Relief Valve	230-40594-02	230-40594-02	230-40594-02	230-40594-02	230-40594-02	230-40594-02
14	3/4 NPT Plug	---	---	239-11638-00	239-11638-00	239-11638-00	239-11638-00
15	Screw #8-15 x 3/4 HWH	239-44195-00	239-44195-00	239-44195-00	239-44195-00	239-44195-00	239-44195-00
16	Screw #10-12 x 3/4 HWH	239-44113-00	239-44113-00	239-44113-00	239-44113-00	239-44113-00	239-44113-00
17	Right Side Inner Door	239-48216-18	239-48216-20	239-48216-18	239-48216-18	239-48216-18	239-48216-18
18	Brass Drain Valve	265-42351-02	265-42351-02	265-42351-02	265-42351-02	265-42351-02	265-42351-02
19	Flammable Vapor Sensor Clip	239-45648-00	239-45648-00	239-45648-00	239-45648-00	239-45648-00	239-45648-00
20	Kit-Flammable Vapor Sensor (2 PCS.)	265-45560-00	265-45560-00	265-45560-00	265-45560-00	265-45560-00	265-45560-00
21	Outer Door	239-46209-00	239-46209-00	239-46209-00	239-46209-00	239-46209-00	239-46209-00
22	Gas Valve Direct Replacement Kit (NAT)	239-49823-02	239-49823-02	239-49823-02	239-49823-02	239-49823-04	239-49823-04
23	Sensor Harness	239-49791-00	239-49791-00	239-49791-00	239-49791-00	239-49791-00	239-49791-00
24	Air Inlet Relief Device	239-48391-00	239-48391-00	239-48392-00	239-48392-00	239-49392-00	239-49392-00
25	Inner Door Gasket Kit	239-51576-00	239-51576-00	239-51576-00	239-51576-00	239-51576-00	239-51576-00
26	Heat Trap Insert Kit (Inlet & Outlet)	265-51572-00	265-51572-00	265-51572-00	265-51572-00	265-51572-00	265-51572-00
27	ASSE Approved Mixing Valve (Optional)	239-51778-00	239-51778-00	239-51778-00	239-51778-00	239-51778-00	239-51778-00
28	Condensate Hose Kit (Optional)	239-45875-00	239-45875-00	239-45875-00	239-45875-00	239-45875-00	239-45875-00
29	Intake Vent Terminal Elbow	239-39831-00	239-39831-00	239-40579-00	239-40579-00	239-40579-00	239-40579-00
30	Exhaust Vent Terminal Elbow	239-39831-00	239-39831-00	239-40579-00	239-40579-00	239-40579-00	239-40579-00
31	Exhaust Adapter	239-45709-00	239-45709-00	239-45709-00	239-45709-00	239-45709-00	239-45709-00
32	Vent Adapter with Vent Terminal	239-47992-00	239-47992-00	239-48781-00	239-48781-00	239-48781-00	239-48781-00
33	Tee and Vent Pipe Assembly	239-51391-02	239-51391-01	239-47622-01	239-47622-01	239-47622-01	239-47622-01
34	Bracket-Vertical Intake	239-47671-02	239-47671-02	239-47671-01	239-47671-01	239-47671-01	239-47671-01
35	Coupling-2 X 2	239-47850-00	239-47850-00	239-47850-00	239-47850-00	239-47850-00	239-47850-00
36	Air Intake Boot	239-47514-18	239-47514-20	239-47514-18	239-47514-18	239-47514-18	239-47514-18
37	Air Intake Boot Gasket	w/ Intake Boot	w/ Intake Boot	w/ Intake Boot	w/ Intake Boot	w/ Intake Boot	w/ Intake Boot

*Applies to all warranties

Anode may need to be cut to length

▲ Order with item 7

▲▲ Order with item 10



NATURAL GAS (BN) BURNER ASSEMBLY

Item	Description	Model	Model	Model	Model
	Natural Gas BN Burner Assembly	URG2PDV40S*N	URG2PDV50S*N	URG2PDV50H*N	ULG2PDV50H50*N
38	Nat. Gas Burner Assembly Complete***	265-51016-01-37	265-51016-02-37	265-48801-03-33	265-48801-03-33
39	Nat. Gas Pilot Assembly**	265-50195-01	265-50195-01	265-48175-04	265-48175-04
40	Nat. Gas Pilot Assembly with inner door gasket kit	265-51766-00	265-51766-00	265-51574-00	265-51574-00
41	Screw-#8-18 x 1/2	239-32761-00	239-32761-00	239-32761-00	239-32761-00
42	Nat. Gas (N) Burner**	228-48691-23	228-48691-24	228-48691-19	228-48691-19
	Nat. Gas (N) Main Burner Orifice 0 Ft. to 2,000 Ft.**	234-18194-37	234-18194-37	234-18194-33	234-18194-33
	Nat. Gas (N) High Altitude 0 Ft. to 7,000 Ft.**	234-18194-42	234-18194-42	234-18194-38	234-18194-38
	Nat. Gas (N) High Altitude 7,001-10,000 Ft.	265-51320-03-43	265-51320-03-43	265-51320-03-41	265-51320-03-41
43	Nat. Gas Universal Feedline**	233-49398-02	233-49398-02	233-49398-02	233-49398-02

*Applies to all warranties

**Inner door gasket kit recommended

***Ordering a complete burner assembly may increase delivery time. Please order the specific component required for the quickest delivery.



BRADFORD WHITE®

W A T E R H E A T E R S

Ambler, PA

For U.S. and Canada field service,
contact your professional installer or
local Bradford White sales representative.

Sales/800-523-2931

Technical Support/800-334-3393
Email/techserv@bradfordwhite.com

Warranty/800-531-2111
Email/warranty@bradfordwhite.com

Service Parts/800-538-2020
Email/Parts@bradfordwhite.com

International:
international@bradfordwhite.com



BRADFORD WHITE™

CANADA

Halton Hills, Ontario, Canada

Sales & Technical Support/866-690-0961
905-203-0600

Fax/905-636-0666

Email

Warranty/bwccwarranty@bradfordwhite.com
Technical Support/BWCCTech@bradfordwhite.com
Parts/orders@bradfordwhitecanada.com
Orders/ca.orders@bradfordwhite.com

www.bradfordwhite.com