



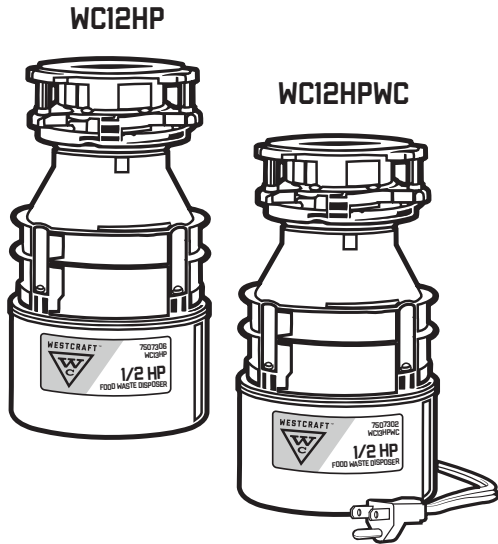
WC12HP 1/2 HP

FOOD WASTE DISPOSER

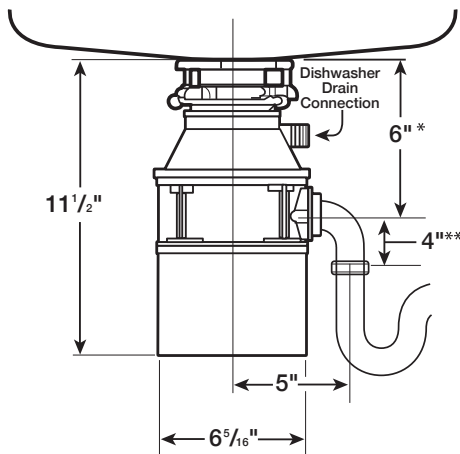
WC12HPWC 1/2 HP

WITH POWER CORD

FOOD WASTE DISPOSER



Dimensions



* Distance from bottom of sink to center line of disposer outlet.
Add 1/2" when stainless steel sinks are used.
** Length of tailpipe from center line of disposer outlet to end of tailpipe.
NOTE: Plumb waste line to prevent standing water in disposer motor housing.

Submittal Sheet

- 1-year limited warranty (over-the-counter)*
 - Plastic grind chamber
 - Galvanized steel grinding elements with two stainless steel 360° swivel lugs
 - Stainless steel sink flange with positive seal 1-piece plastic stopper
 - Overload protector manual reset
 - Permanently lubricated upper and lower bearings
 - Quick Lock® mounting for fast, easy installation
 - Exclusive cushioned anti-splash baffle
 - Dishwasher drain connection
- Westcraft WC12HPWC includes: Factory installed power cord

Sample Specification

Food Waste Disposer(s) shall be Westcraft WC12HP, continuous feed, with 1/2 H.P. motor, galvanized steel grinding elements with two stainless steel 360° swivel lugs.

Westcraft WC12HPWC includes: Factory installed 3' power cord.

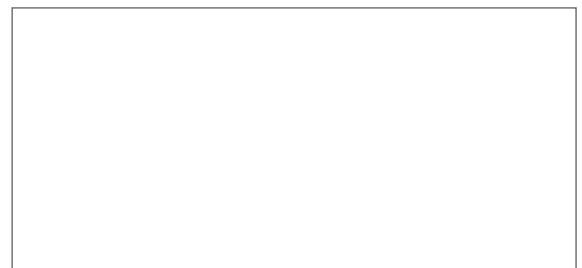
Warranty – 1-year limited over-the-counter.

* The complete Westcraft warranty is included in the Care & Use Booklet packed with each unit.

Specifications

Type of Feed	Continuous
On/Off Control	Wall Switch
Motor	Single Phase
HP	1/2
Volts	120
HZ	60
RPM	1725
Amp. (Avg. Load)	6.3
Time Rating	Intermittent
Lubrication	Permanently Lubricated Upper & Lower Bearings
Shipping Weight (Approx.)	WC12HP: 13lb 10oz WC12HPWC: 13lb 14oz
Unit Finish	Black
Overall Height	11-1/2"
Grind Chamber Capacity	26 oz.
Motor Protection	Manual Reset Overload
Average Water Usage	Approx. 1 Gallon per Person Per Day
Average Electrical Usage	3-4 KWH per Year
Drain Connection	1-1/2" Cushioned Slip Joint
Dishwasher Drain Connection	Yes
Factory Installed Power Cord	WC12HP: No WC12HPWC: Yes

Job Specifications



Quick Lock® is a registered trademark of Emerson Electric Co.



H880-18B-83-10

Printed in USA

© 2018 InSinkErator