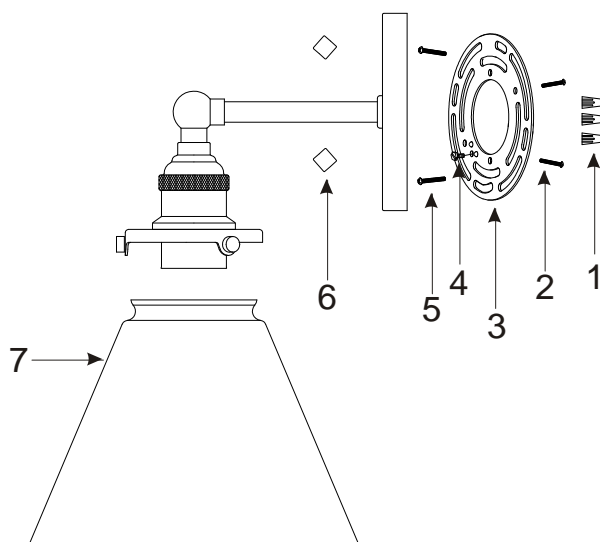
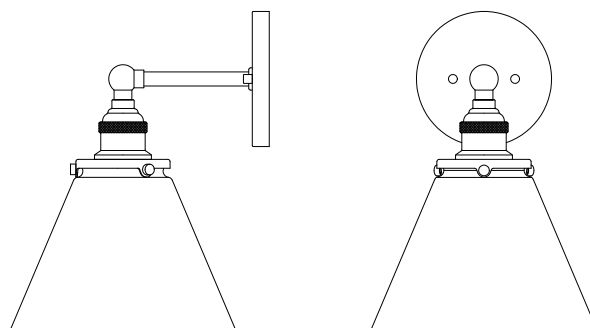


PARK HARBOR™

PHWL3311/3321PN/AGBR



Parts Breakdown

No.	Part Name	Spanish	French	Part No.
1	Wire connectors (3pcs)	Conector de cable (3pcs)	Capuchon de connexion (3pcs)	PHSP3311HDWRWTY PHSP3321HDWRWTY
2	Screw (2pcs)	Tornillo (2pcs)	Vis (2pcs)	
3	circular strap(1pc)	correa circular(1pc)	correa circular(1pc)	
4	Ground Screw (1pc)	Tornillo a tierra (1pc)	Vis de borne de terre (1pc)	
5	Screw (1pc)	Tornillo (1pc)	Vis (1pc)	
6	Finial (2pcs)	Remate (2pcs)	Faîteau (2pcs)	
7	Glass (1pc)	Vidrio (1pc)	Verre (1pc)	PHSP3311GLSWTY
7	Glass (1pc)	Vidrio (1pc)	Verre (1pc)	PHSP3321GLSWTY