

PFB14 / PFB16



Soaking Tubs

60" x 32"

Product Features

- Enameled steel bathtub
- 60" x 32" x 14-1/4"
- 60" x 32" x 16-5/8" AFR
- Full length tile flange
- PFB14 series has 40 degree lumbar support
- Standard and above floor rough-in
- High gloss, stain resistant porcelain finish
- Non-skid bottom surface
- Available in white, bone, and biscuit
- ADA compliant when installed according to ADA guidelines
- Standard: 67 lbs
AFR: 75 lbs



PFB16R6032

Available Colors

- White (WH)
- Bone (BO)
- Biscuit (BS)

Model Numbers

- PFB14CR6032** 60" x 32" x 14-1/4" bathtub RH non-skid
PFB14CL6032 60" x 32" x 14-1/4" bathtub LH non-skid
PFB16R6032 60" x 32" x 16-5/8" bathtub RH above floor RI
PFB16L6032 60" x 32" x 16-5/8" bathtub LH above floor RI

Warranty and Codes

These products come complete with installation, operating, care and maintenance instructions. All PROFLO fixtures carry a 1-year limited warranty. These products meet or exceed ASME/ANSI A112.19.4M.



PFB14 / PFB16

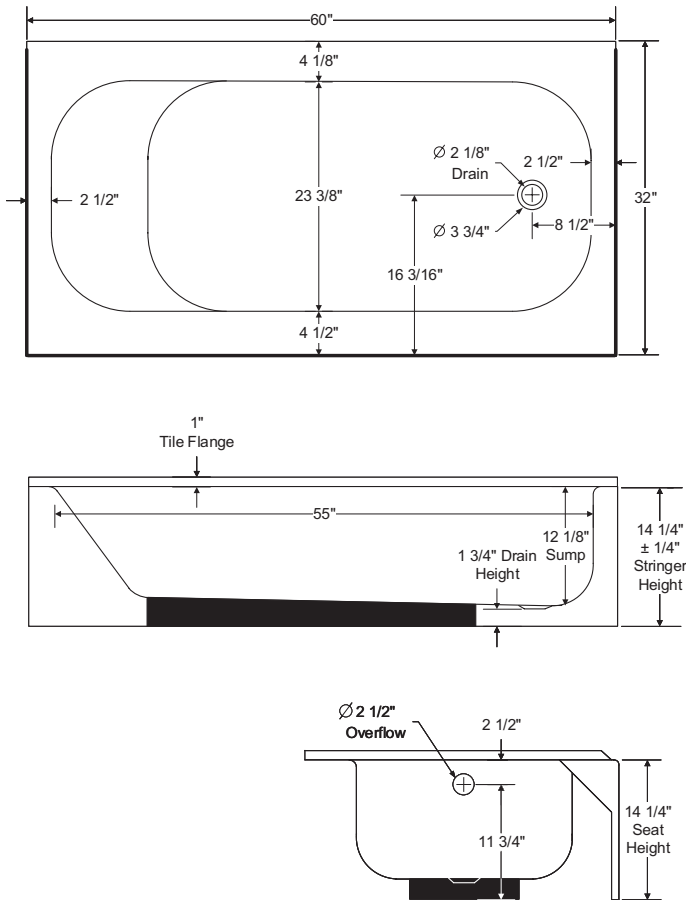
Soaking Tubs

60" x 32"



Product Specification

PFB14R6032 / PFB14L6032
Standard rough-in



Product Specification

PFB16R6032 / PFB16L6032,
Above floor rough-in

