

Features

- Solid brass construction
- Quarter-turn washerless ceramic disc valve cartridges
- ADA compliant traditional lever handles with lever diverter
- 3/4" NPT hot and cold inlet fittings
- 9-1/8" (23.2 cm) tub spout reach from inlet fittings (c-c)
- 2" (5.1 cm) handshower diameter
- 1.8 gallons (6.7 liters) per minute handshower maximum flow rate
- For deck-mounted configurations

Tub and Handshower Set
910-4273



Codes / Standards Compliance

Meets or exceeds the following at date of manufacture:

- ASME A112.18.1/CSA B125.1
- IAPMO/cUPC
- ADA
- ICC/ANSI A117.1
- Energy Policy Act of 1992
- EPA Watersense
- All applicable US Federal and State material regulations

Colors / Finishes

- 10B: Oil Rubbed Bronze
- 15: Polished Nickel
- 15S: Satin Nickel - PVD
- 26: Polished Chrome
- Other: Refer to the Newport Brass catalog for additional color/finish options.



Specified Model

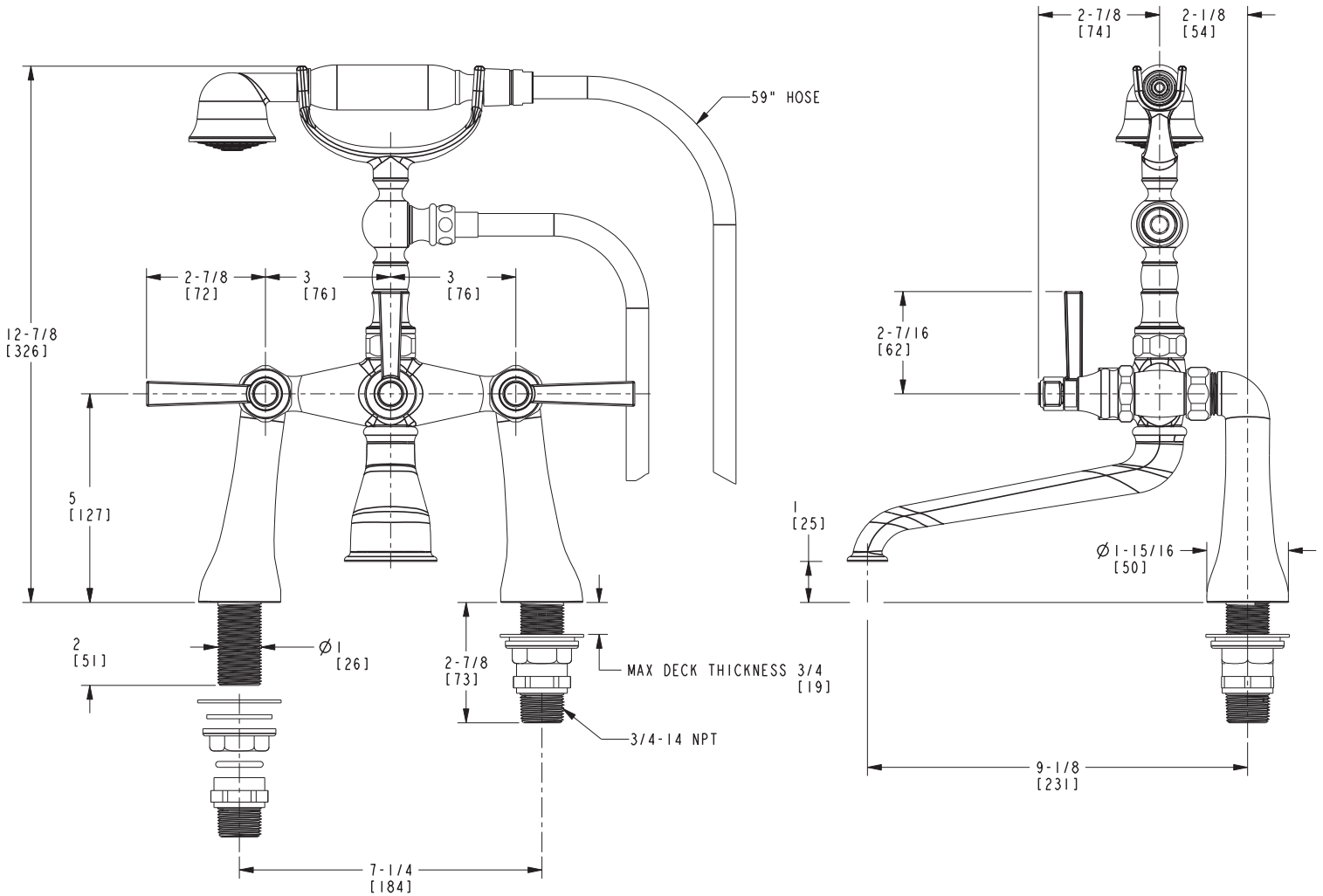
Model	Description	Colors Finishes
910-4273	Exposed Tub and Handshower (deck mount)	<input type="checkbox"/> 10B <input type="checkbox"/> 15 <input type="checkbox"/> 15S <input type="checkbox"/> 26 <input type="checkbox"/> Other

Product Specification: Add "Color / Finish" suffix to Model number, below.

The Exposed Tub and Handshower Set shall be made of solid brass construction and incorporate quarter-turn washerless ceramic disc valve cartridges. Exposed Tub and Handshower Set shall incorporate a lever diverter and ADA compliant lever handles. Product shall be designed for deck-mounted configurations. Product shall have a 9-1/8" (23.2 cm) tub spout reach (c-c) and 3/4" NPT deck-mounted hot/cold inlet fittings. Product shall feature a solid brass handshower having a diameter of 2" (5.1 cm) and a 1.8 gallons (6.7 liters) per minute maximum flow rate. Exposed Tub and Handshower Set shall be Newport Brass Model 910-4273/_____.

910-4273

PRODUCT DIMENSIONS *(Units are in inches)*



Astor Tub and Handshower Set 910-4273