

# ROUGH VALVE

## Features

- Solid brass construction
- 1/2" NPT female thread (inlet and outlet) valve body
- Mounting tabs located on rough-in for secure installation option
- 12.5 gpm (gallons per minute) flow rate (@ 40 psi)
- Quarter-turn washerless ceramic valve cartridges.
- Requires Newport Brass Wall Mount Faucet Trim (many options available, sold-separately)

## Wall Mount Lavatory Rough Valve

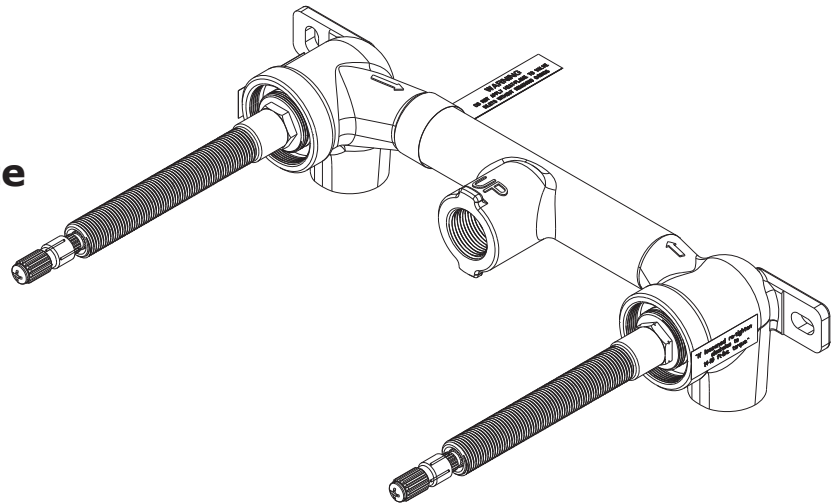
# 1-532



## Codes / Standards Compliance

Meets or exceeds the following at date of manufacture:

- ASME A112.18.1/CSA B125.1
- IAPMO/Cupc
- IPC
- ASSE 1016
- All applicable US Federal and State material regulations



## Specified Model

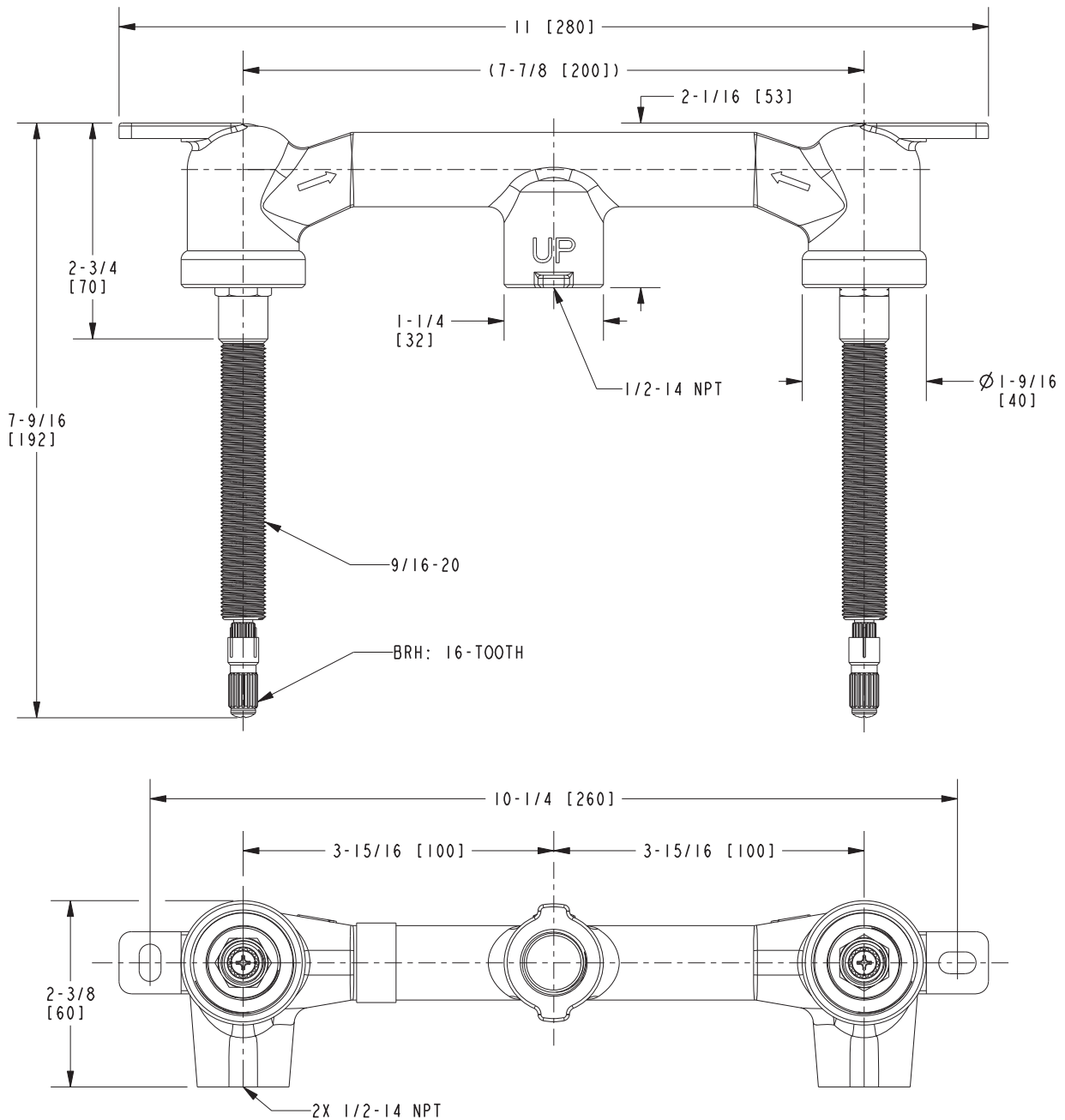
Model	Description	Colors   Finishes
1-532	Wall Mount Valve for Faucet Installations	<input type="checkbox"/> NA

## Product Specification: Add "Color / Finish" suffix to Model number, below.

The wall mount valve for faucet installations shall be made of solid brass construction. Valve body shall have 1/2" NPT female thread for inlets and outlet. Valve body shall incorporate quarter-turn washerless ceramic valve cartridges. Valve body shall incorporate mounting tabs along the back surface. Valve shall have a maximum flow rate of 12.5 gpm (gallons per minute) @ 40 psi. Rough Valve for wall mount faucets installations shall be Newport Brass Model 1-532.

# 1-532

## PRODUCT DIMENSIONS *(Units are in inches)*



Newport Brass Wall Mount Lavatory Valve  
**1-532**

**NEWPORT BRASS**  
Flawless Beauty. From Faucet to Finish.™