

Features

- Solid brass construction
- Face plate with ADA compliant traditional cross handle and diverter pull-knob
- ADA compliant traditional cross handle assembly and insert options for control valve
- Intended for use with Newport Brass rough valve(s) as specified (Required Accessory)

Codes / Standards Compliance

Meets or exceeds the following at date of manufacture:

- ASME A112.18.1/CSA B125.1
- IAPMO/cUPC
- IPC
- ADA
- ICC/ANSI A117.1
- ASSE 1016
- All applicable US Federal and State material regulations

Colors / Finishes

- 10B: Oil Rubbed Bronze
 - 15: Polished Nickel
 - 15S: Satin Nickel - PVD
 - 26: Polished Chrome
- Other: Refer to the Newport Brass catalog for additional color/finish options.

**Tub and Shower Trim
(less tub spout or showerhead, arm & flange)**

5-922BP

Also 3-163, 3-163B



3-163



3-163B

Specified Model

Model	Description	Colors Finishes				
5-922BP	Tub and Shower Trim (less tub spout or showerhead, arm & flange)	<input type="checkbox"/> 10B	<input type="checkbox"/> 15	<input type="checkbox"/> 15S	<input type="checkbox"/> 26	<input type="checkbox"/> Other
3-163	Diverter/Flow Control Trim. Arrow Insert.	<input type="checkbox"/> 10B	<input type="checkbox"/> 15	<input type="checkbox"/> 15S	<input type="checkbox"/> 26	<input type="checkbox"/> Other
3-163B	Diverter/Flow Control Trim. Plain Insert.	<input type="checkbox"/> 10B	<input type="checkbox"/> 15	<input type="checkbox"/> 15S	<input type="checkbox"/> 26	<input type="checkbox"/> Other

Required Accessory

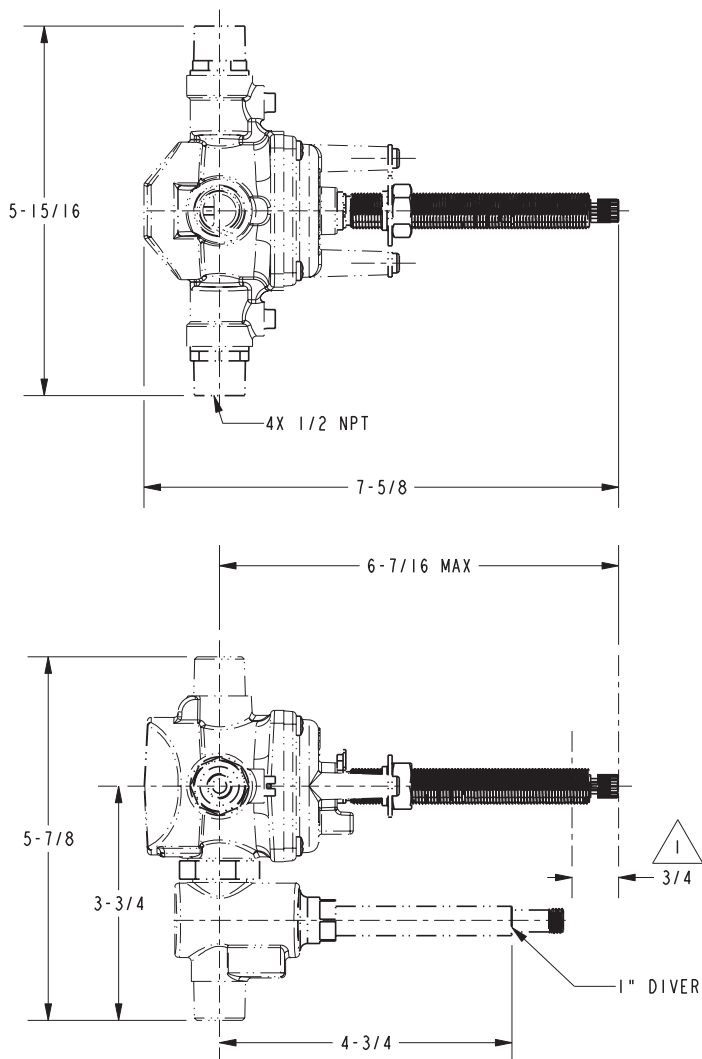
Application	Tub & Shower Valve (Choose One)		Control Valve (Optional)
	BP w/Diverter	BP w/Diverter	Diverter (3/4 Port)
Description			
Inlet/Outlet Size	1/2"	1/2"	1/2"
Part Number	<input type="checkbox"/> 1-595	<input type="checkbox"/> 1-685	<input type="checkbox"/> 1-617
Image			

Product Specification: Add "Color / Finish" suffix to Model number, below.

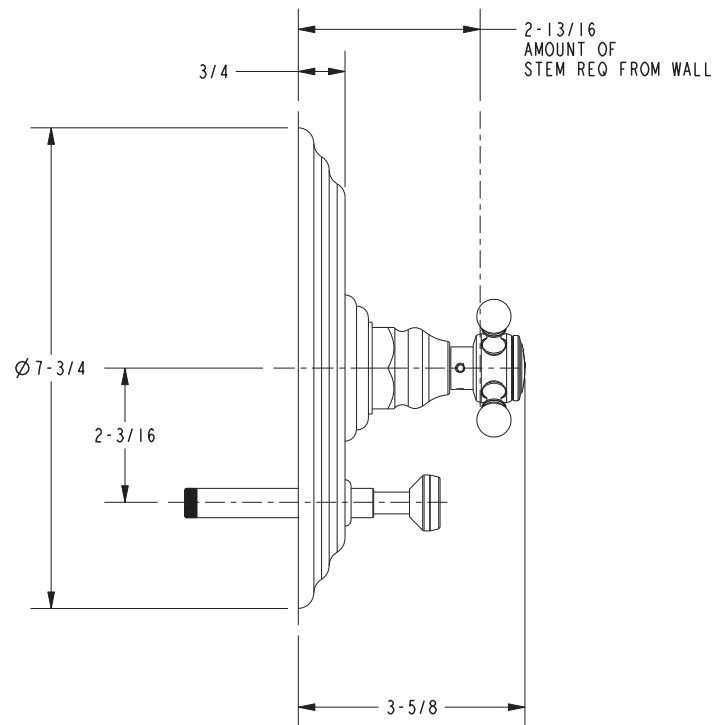
The single-control Tub and Shower Trim (less tub spout, showerhead, arm & flange) shall be made of solid brass construction. Tub and Shower Trim shall include faceplate with ADA compliant handle and diverter pull-knob. Shower System Control Valve Trim(s) (Escutcheon/Handle) shall be ADA compliant when used with specified Shower System Control Valve. Tub and Shower Trim (less tub spout, showerhead, arm & flange) shall be Newport Brass Model 5-922BP/____ and single-control Tub and Shower rough valve shall be Newport Brass Model 1-____. [Optional Shower System Control Valve Trim (Escutcheon/Handle) shall be 3-163/____ and Shower System Control Valve shall be 1-617]. [Metal Insert for System Control Valve Trim (Escutcheon/Handle) shall be 2-532/ ____.]

5-922BP

PRODUCT DIMENSIONS *(Units are in inches)*



NOTES:
1. CUT ALL-THREAD $3/4$ " SHORTER THAN STEM.



Astor Tub and Shower Trim
5-922BP

NEWPORT BRASS
Flawless Beauty. From Faucet to Finish.™