

NEWPORT 365

Widespread Lavatory Faucet 7200

Features

- Solid brass construction
- Brass valve bodies
- Quarter-turn washerless ceramic disc valve cartridges
- Specified handles (lever or cross) are ADA compliant when used with Widespread Lavatory Faucet
- Spout assembly with integral supply hoses
- Pop-up drain with tailpiece
- 4" (10.2 cm) spout height at outlet
- 5-1/8" (13.0 cm) spout reach (c-c)
- For 8" (20.3 cm) centers - Maximum 20" (50.8 cm)
- 1.2 gallons (4.5 liters) per minute maximum flow rate



2-116

2-222

Codes / Standards Compliance

Meets or exceeds the following at date of manufacture:

- ASME A112.18.1/CSA B125.1
- IAPMO/cUPC
- IPC
- NSF 61
- ADA
- ICC/ANSI A117.1
- Energy Policy Act of 1992
- All applicable US Federal and State material regulations
- EPA Watersense

Colors / Finishes

- 10B: Oil Rubbed Bronze
- 15: Polished Nickel
- 15S: Satin Nickel - PVD
- 26: Polished Chrome
- Other: Refer to the Newport Brass catalog for additional color/finish options.

Specified Model

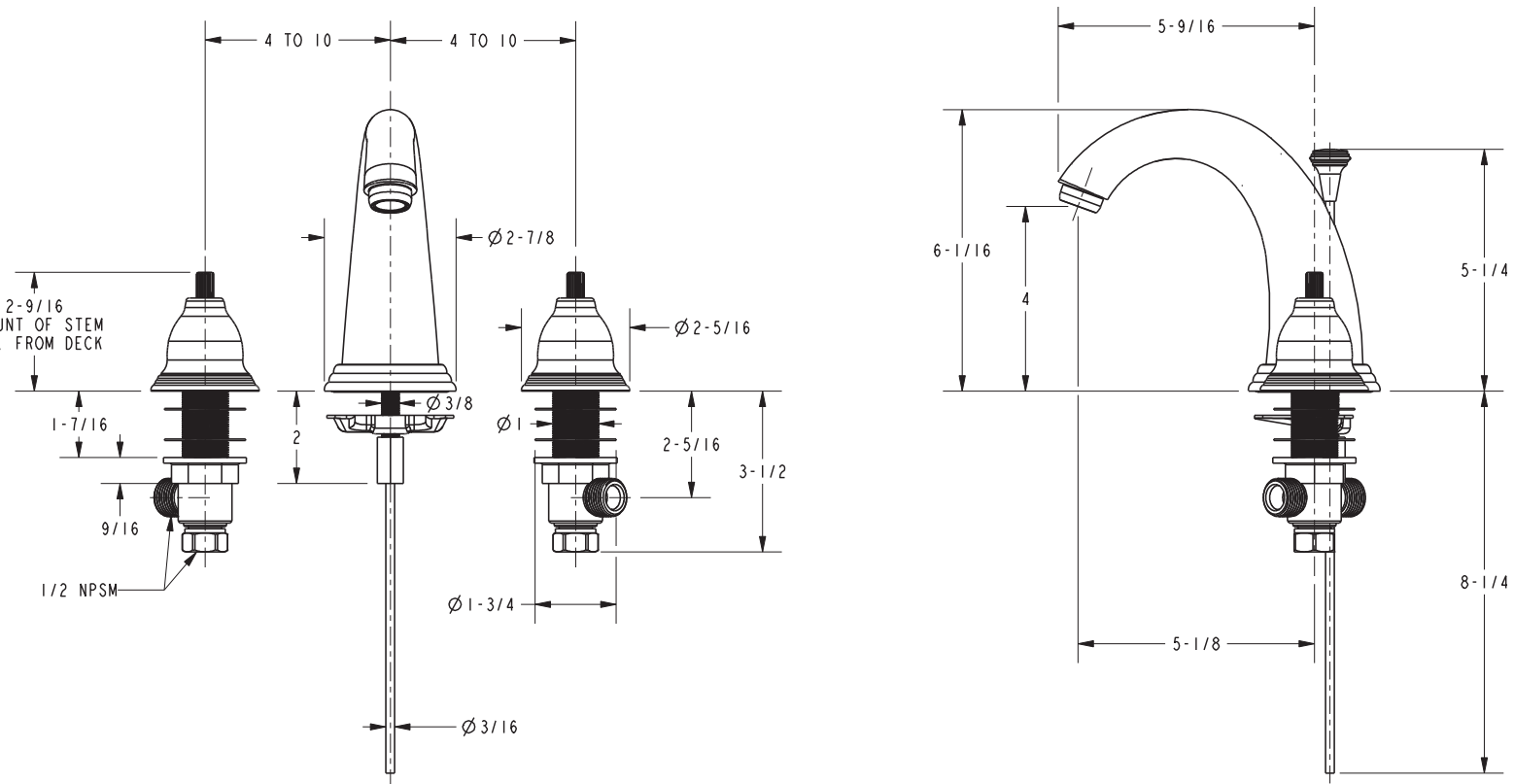
| Model | Description | Colors Finishes |
|-------|----------------------------|--|
| 7200 | Widespread Lavatory Faucet | <input type="checkbox"/> 10B <input type="checkbox"/> 15 <input type="checkbox"/> 15S <input type="checkbox"/> 26 <input type="checkbox"/> Other |
| 2-116 | Lever Handles | <input type="checkbox"/> 10B <input type="checkbox"/> 15 <input type="checkbox"/> 15S <input type="checkbox"/> 26 <input type="checkbox"/> Other |
| 2-222 | Cross Handles | <input type="checkbox"/> 10B <input type="checkbox"/> 15 <input type="checkbox"/> 15S <input type="checkbox"/> 26 <input type="checkbox"/> Other |

Product Specification: Add "Color / Finish" suffix to Model number, below.

The two-handle Widespread Lavatory Faucet shall be made of solid brass construction. Faucet shall incorporate a spout assembly with integral supply hoses and feature brass valve bodies with quarter-turn washerless ceramic disc valve cartridges. Faucet shall have a 1.2 gallon (4.5 liter) per minute maximum flow rate. Product shall be for 8" (20.3 cm) centers - Maximum 20" (50.8 cm). Product shall incorporate a 4" (10.2 cm) spout height at outlet and a 5-1/8" (13.0 cm) spout reach (c-c). Widespread Lavatory Faucet shall be Newport Brass Model 7200/____. Handle shall be 2-____/____.

7200

PRODUCT DIMENSIONS *(Units are in inches)*



Newport 365 Widespread Lavatory Faucet 7200