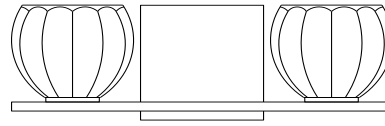
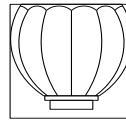
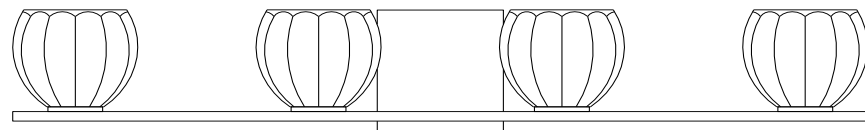
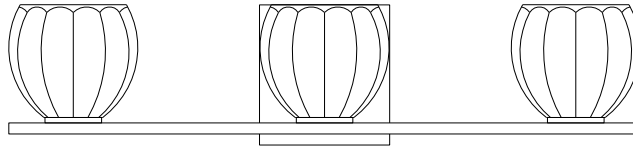


PARK HARBOR™



Swans Point VANITY LIGHT



PHVL3091PC/PN

PHVL3092PC/PN

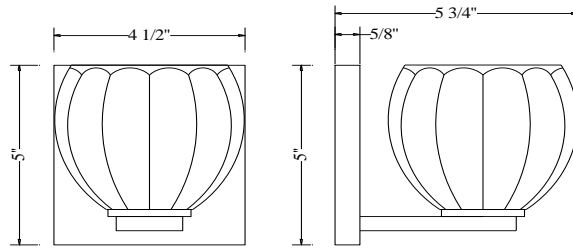
PHVL3093PC/PN

PHVL3094PC/PN

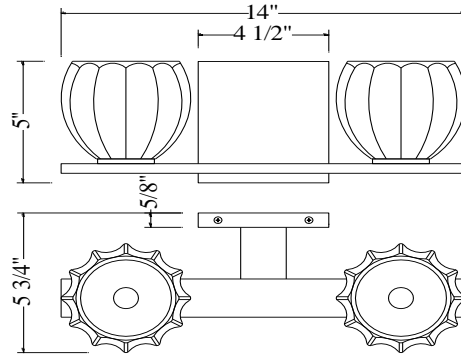
- 1, 2, 3 or 4- Light Vanity in Chrome and Polished Nickel
- Clear glass
- No special tools needed for assembly
- Dimmable: YES
- Compatible Dimmers - LUTRON: MACL-153M/DVL-153P/SCL-153P, LEVITON: IPL06-10Z/6674-POW
- Mount Way: Mount up & down
- ETL Listed: Yes
- ETL Rating: Damp location
- Wattage:
 - PHVL3091PC/PN: Uses one 5W G9 led lamp max
 - PHVL3092PC/PN: Uses two 5W G9 led lamps max
 - PHVL3093PC/PN: Uses three 5W G9 led lamps max
 - PHVL3094PC/PN: Uses four 5W G9 led lamps max

See dimensional drawing on back.
© 2017 Ferguson Enterprises, Inc. 00000 12/17

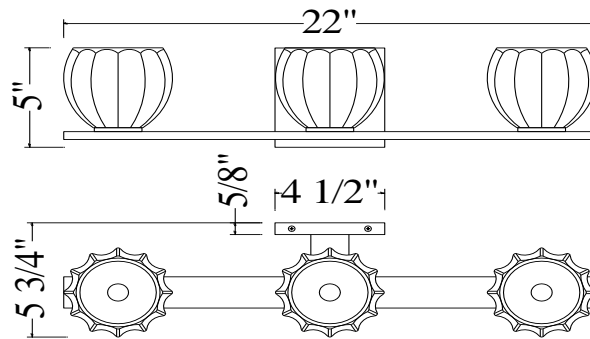
PARKHARBORLIGHTING.COM



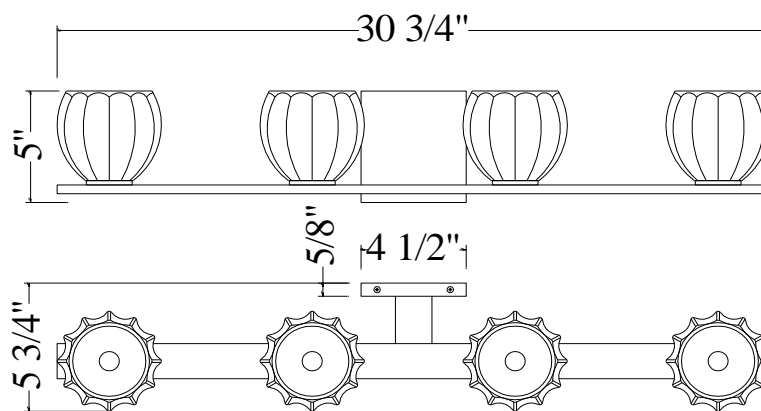
PHVL3091PC/PN



PHVL3092PC/PN



PHVL3093PC/PN



PHVL3094PC/PN