



Lead Free*

70LF200-92 SERIES

Solder Bronze Ball Valve w./ Balancing Stop

Job Name:	Contractor:
Job Location:	P.O. Number:
Engineer:	Representative:
Tag:	Wholesale Distributor:

DESCRIPTION

The Apollo® 70LF Series has the same rugged features as the industry standard 70 Series valves with the added advantage of **Lead Free*** materials. The 70LF is ideal for plumbing and heating systems, including potable water. Trusted Apollo® performance with a wide range of popular options.

FEATURES

- **Lead Free*** Brass & Bronze Materials
- Balancing Stop
- Easily Identifiable Blue "Lead Free" Hang Tag
- RPTFE Seats and Stuffing Box Ring
- Chromium Plated Ball
- Designed, Manufactured and 100% Factory Tested in the USA

PERFORMANCE RATING

- CWP: 600 psi (41.37 Bar) at 100°F
- SWP: 150 psi (10.34 Bar) at 366°F
- Maximum Temperature: 450°F
- Vacuum Service to 29 in. Hg

STANDARD MATERIALS LIST

Part Name	Material
Lever and Grip	Steel, Zinc Plated w/ Vinyl Grip
Stem Packing	RPTFE
Stem Bearing	RPTFE
Ball	C27451, Lead Free Brass, Cr Plated
Seat (2)	RPTFE
Retainer	C27451 Lead Free Brass (3/8" to 1") C89836 Lead Free Bronze (1-1/4" - 4")
Gland Nut	B16 Brass
Stem	C27451 Lead Free Brass
Lever Nut	Steel, Zinc Plated
Body	C89836 Lead Free Bronze

APPROVALS

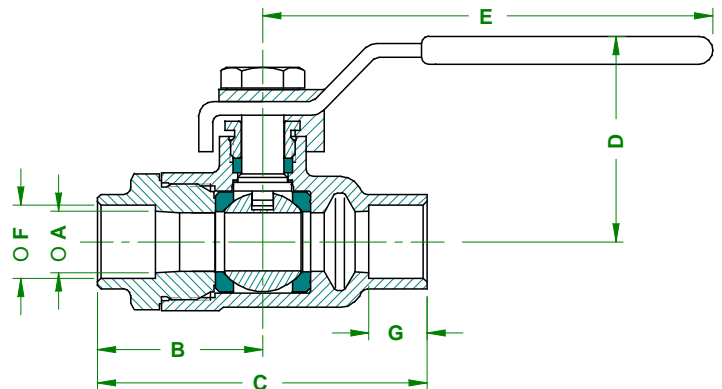
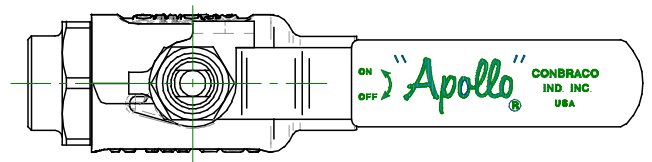
- MSS SP-110; Ball Valves
- ANSI/NSF 61-8, Annex G
- NSF 372 **Lead Free*** ANSI 3RD Party Certified
- CRN: OC10908.5C

* **LEAD FREE:** The wetted surfaces of this product shall contain no more than 0.25% lead by weighted average. Complies with CA AB1953, VT Act 193, MD HB372, LA HB471 and Federal Public Law 111-380.



DIMENSIONS

Part #	Size (in.)	Dimensions							Wt (lbs.)
		A	B	C	D	E	F	G	
70LF20292	3/8"	0.37	1.28	2.56	1.75	3.87	0.51	0.37	0.63
70LF20392	1/2"	0.50	1.43	2.87	1.75	3.87	0.63	0.50	0.71
70LF20492	3/4"	0.68	1.93	3.87	2.12	4.87	0.88	0.75	1.44
70LF20592	1"	0.87	2.25	4.50	2.25	4.87	1.13	0.90	1.91
70LF20692	1-1/4"	1.00	2.31	4.62	2.62	5.50	1.38	0.96	2.95
70LF20792	1-1/2"	1.25	2.62	5.25	3.06	8.00	1.63	1.09	3.99
70LF20892	2"	1.50	3.18	6.37	3.25	8.00	2.13	1.34	5.71
70LF20901	2-1/2"	2.00	3.74	7.51	3.72	8.00	2.63	1.48	15.53
70LF20001	3"	2.50	4.12	8.25	4.12	8.00	3.13	1.67	16.74



Conbraco Industries, Inc. 701 Matthews Mint Hill Rd. Matthews NC 28106 USA; www.apollovalves.com; 704-841-6000

This specification is provided for reference only. Conbraco reserves the right to change any portion of this specification without notice and without incurring obligation to make such changes to Conbraco products previously or subsequently sold.