



Residential Electric Replacement Parts List

Upright, Lowboy, & High Efficiency Upright Models



Models Covered:

- RE2(40,50)S*
 - RE3(30,40,50)S*
 - RE2(50,55)T*
 - RE250T* Alternate
 - RE2(40,50)L*
 - RE1(20,30)L*
 - RE2(30,40,50)LN
 - RE3(40,50,80,120)T*
- *Denotes warranty year

Effective: November, 2023

ECO 8414

NOTE: BOTH MODEL AND SERIAL NUMBERS ARE REQUIRED FOR ORDERING REPLACEMENT PARTS

Dimensions and specifications subject to change without notice.

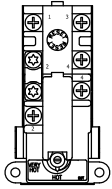


As required by the state of California Proposition 65.

TOP LOCATION

- Double element water heater, non-simultaneous single phase and three phase operation.

59T66T



415-51046-00

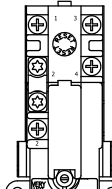
TOP LOCATION

- Double element water heater, simultaneous operation.

BOTTOM LOCATION

- Single element water heater.
- Double element water heater, non-simultaneous three phase operation.
- Double element water heater, simultaneous operation.

59T66T

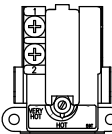


415-50691-00

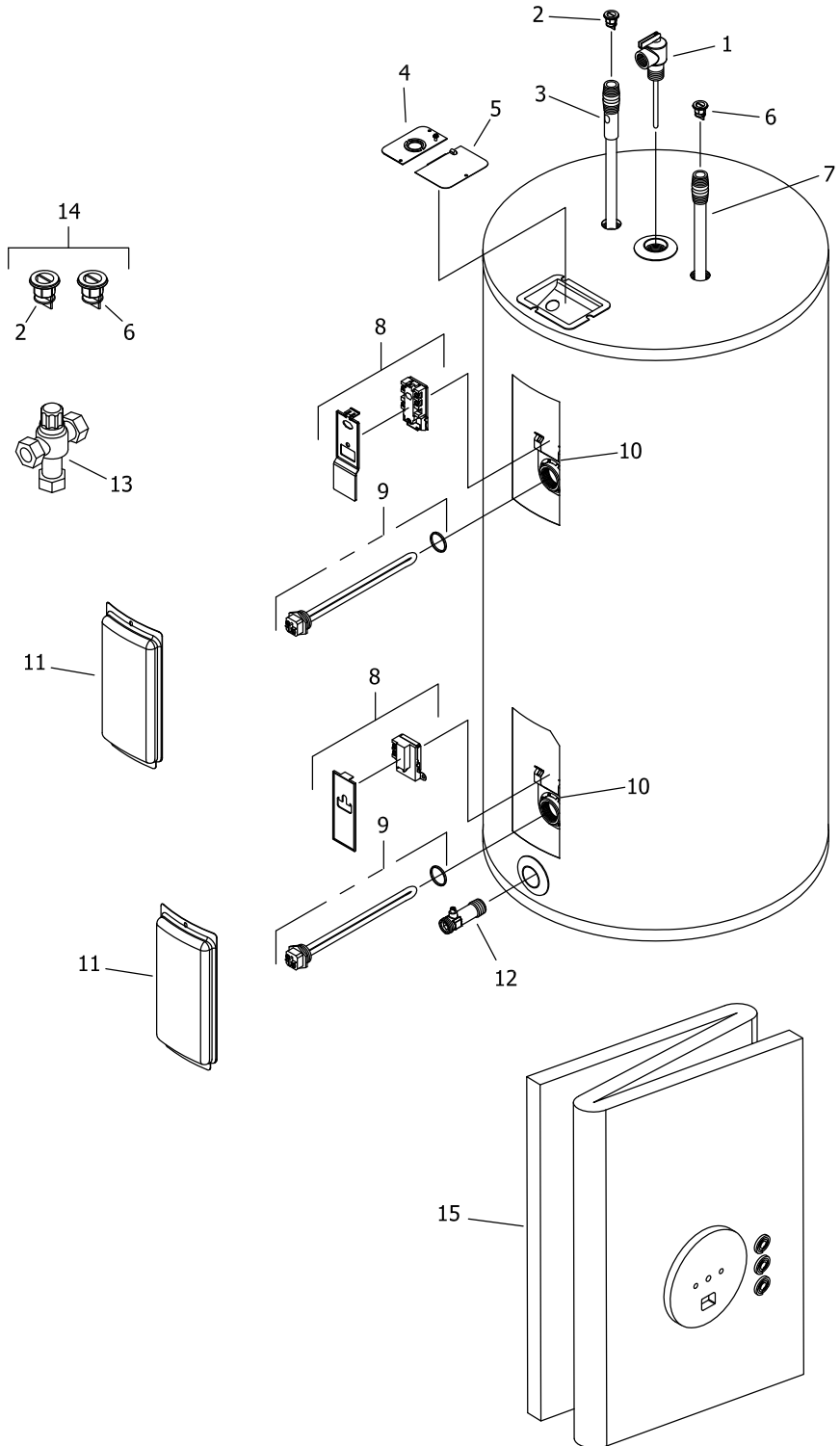
BOTTOM LOCATION

- Double element water heater, non-simultaneous single phase operation

59T



415-51046-00



Item	Description	Model RE240S	Model RE250S	Model RE330S	Model RE340S	Model RE350S
1	T&P Relief Valve	415-40594-02	415-40594-02	415-40594-02	415-40594-02	415-40594-02
2	Heat Trap Insert (Outlet)	415-45167-00	415-45167-00	415-45167-00	415-45167-00	415-45167-00
3	Hot Water Outlet Anode (Magnesium) ♦#	415-47776-19	415-47776-19	415-47776-19	415-47776-19	415-47776-19
	Hot Water Outlet Anode (Aluminum) ♦#	415-32999-28	415-32999-28	415-32999-28	415-32999-28	415-32999-28
	Hot Water Outlet Anode (A420 Aluminum) ♦#	415-49560-10	415-49560-10	415-49560-10	415-49560-10	415-49560-10
4	Cover Conduit/Ground w/ Ground Screw	239-55386-00	239-55386-00	239-55386-00	239-55386-00	239-55386-00
5	Cover Junction Box	243-39452-00	243-39452-00	243-39452-00	243-39452-00	243-39452-00
6	Heat Trap Insert (Inlet)	415-51556-00	415-51556-00	415-51556-00	415-51556-00	415-51556-00
7	Cold Water Inlet Tube PEX ♦♦	415-51230-21	415-51230-21	415-51230-21	415-51230-21	415-51230-21
8	Upper Thermostat with High Limit (59T66) & Protector ▲■	415-51046-00	415-51046-00	415-51046-00	415-51046-00	415-51046-00
	Lower Thermostat (59T66) w/ Protector ▲■	415-51046-00	415-51046-00	415-51046-00	415-51046-00	415-51046-00
	Lower Thermostat with High Limit (59T66) ▲	415-50691-00	415-50691-00	415-50691-00	415-50691-00	415-50691-00
9	Heating Element 240V 4500W w/ Gasket μ	415-48642-00	415-48642-00	415-48642-00	415-48642-00	415-48642-00
10	Thermostat Mounting Bracket	415-50689-00	415-50689-00	415-50689-00	415-50689-00	415-50689-00
11	Access Cover	243-36618-02	243-36618-02	243-36618-02	243-36618-02	243-36618-02
12	Drain Valve	415-51684-01	415-51684-01	415-51684-02	415-51684-02	415-51684-02
13	ASSE Approved Mixing Valve	239-51778-00	239-51778-00	239-51778-00	239-51778-00	239-51778-00
14	Kit-Heat Trap Insert (PEX)	265-51572-00	265-51572-00	265-51572-00	265-51572-00	265-51572-00
15	Blanket Kit	239-50210-01	239-50210-02	---	---	---

♦ Order with item 2.

♦♦ Order with item 6.

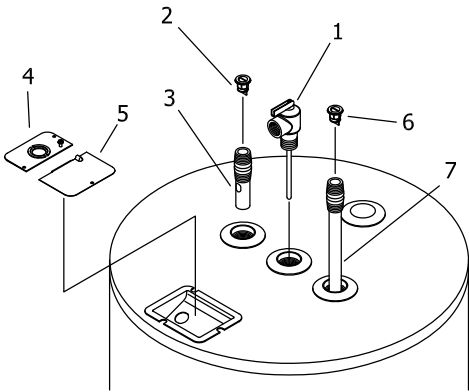
▲ Thermostat protector provided with thermostat. The thermostat mounting bracket is also provided with the thermostat.

μ For other voltage and wattage combinations, refer to heating elements on page 11 & 12.

■ Upper and lower thermostats are packaged together.

Anode may need to be cut to length, please see page 13 for reference chart of anode length by model.

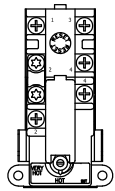
RE250T ALTERNATE CONSTRUCTION*



TOP LOCATION

- Double element water heater, non-simultaneous single phase and three phase operation.

59T66T



415-51046-00

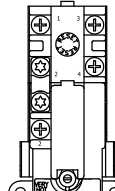
TOP LOCATION

- Double element water heater, simultaneous operation.

BOTTOM LOCATION

- Single element water heater.
- Double element water heater, non-simultaneous three phase operation.
- Double element water heater, simultaneous operation.

59T66T

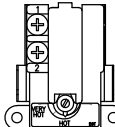


415-50691-00

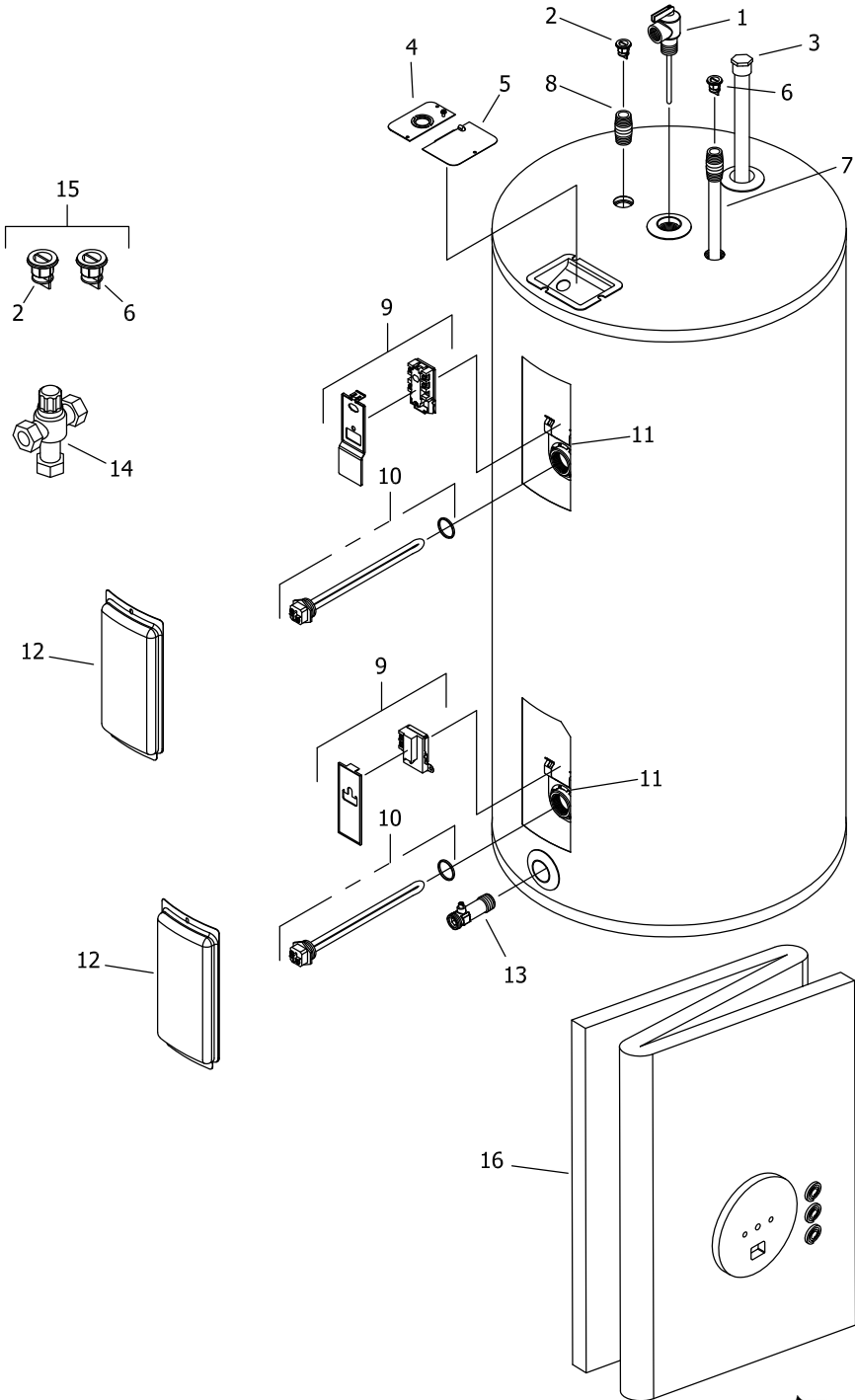
BOTTOM LOCATION

- Double element water heater, non-simultaneous single phase operation

59T



415-51046-00



Item	Description	Model	Model
		RE250T	RE250T Alternate*
1	T&P Relief Valve	415-40594-02	415-40594-02
2	Heat Trap Insert (Outlet)	415-45167-00	415-45167-00
3	Hot Water Outlet Anode (Magnesium) ♦#	---	415-47776-19
	Hot Water Outlet Anode (Aluminum) ♦#	---	415-32999-28
	Hex head Sacrificial Anode (Aluminum) ♦#	415-38508-07	---
	Hot Water Outlet Anode (A420 Aluminum) ♦#	---	415-49560-10
4	Cover Conduit/Ground w/ Ground Screw	239-55386-00	239-55386-00
5	Cover Junction Box	243-39452-00	243-39452-00
6	Heat Trap Insert (Inlet)	415-51556-00	415-51556-00
7	Cold Water Inlet Tube PEX ♦♦	229-51718-05	229-51718-05
8	Nipple outlet	229-50053-06	---
9	Upper Thermostat with High Limit (59T66) & Protector ▲■	415-51046-00	415-51046-00
	Lower Thermostat (59T) w/ Protector ▲■	415-51046-00	415-51046-00
	Lower Thermostat with High Limit (59T66) ▲	415-50691-00	415-50691-00
10	Heating Element 240V 4500W w/ Gasket μ (qty 2)	415-48642-00	415-48642-00
11	Thermostat Mounting Bracket	415-50689-00	415-50689-00
12	Access Cover	243-36618-02	243-36618-02
13	Brass Drain Valve	415-51684-01	415-51684-01
14	ASSE Approved Mixing Valve	239-51778-00	239-51778-00
15	Kit-Heat Trap Insert (PEX)	265-51572-00	265-51572-00
16	Blanket Kit	---	---

♦ Order with item 2.

♦♦ Order with item 6.

▲ Thermostat protector provided with thermostat. The thermostat mounting bracket is also provided with the thermostat.

μ For other voltage and wattage combinations, refer to heating elements on page 12 & 13.

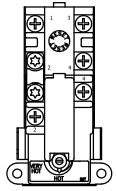
■ Upper and lower thermostats are packaged together.

Anode may need to be cut to length, please see page 14 for reference chart of anode length by model.

* See RE250T alternate construction on page 4.

TOP LOCATION

- Double element water heater, non-simultaneous single phase and three phase operation.



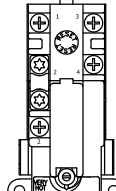
59T66T
415-51046-00

TOP LOCATION

- Double element water heater, simultaneous operation.

BOTTOM LOCATION

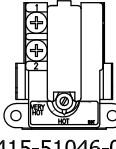
- Single element water heater.
- Double element water heater, non-simultaneous three phase operation.
- Double element water heater, simultaneous operation.



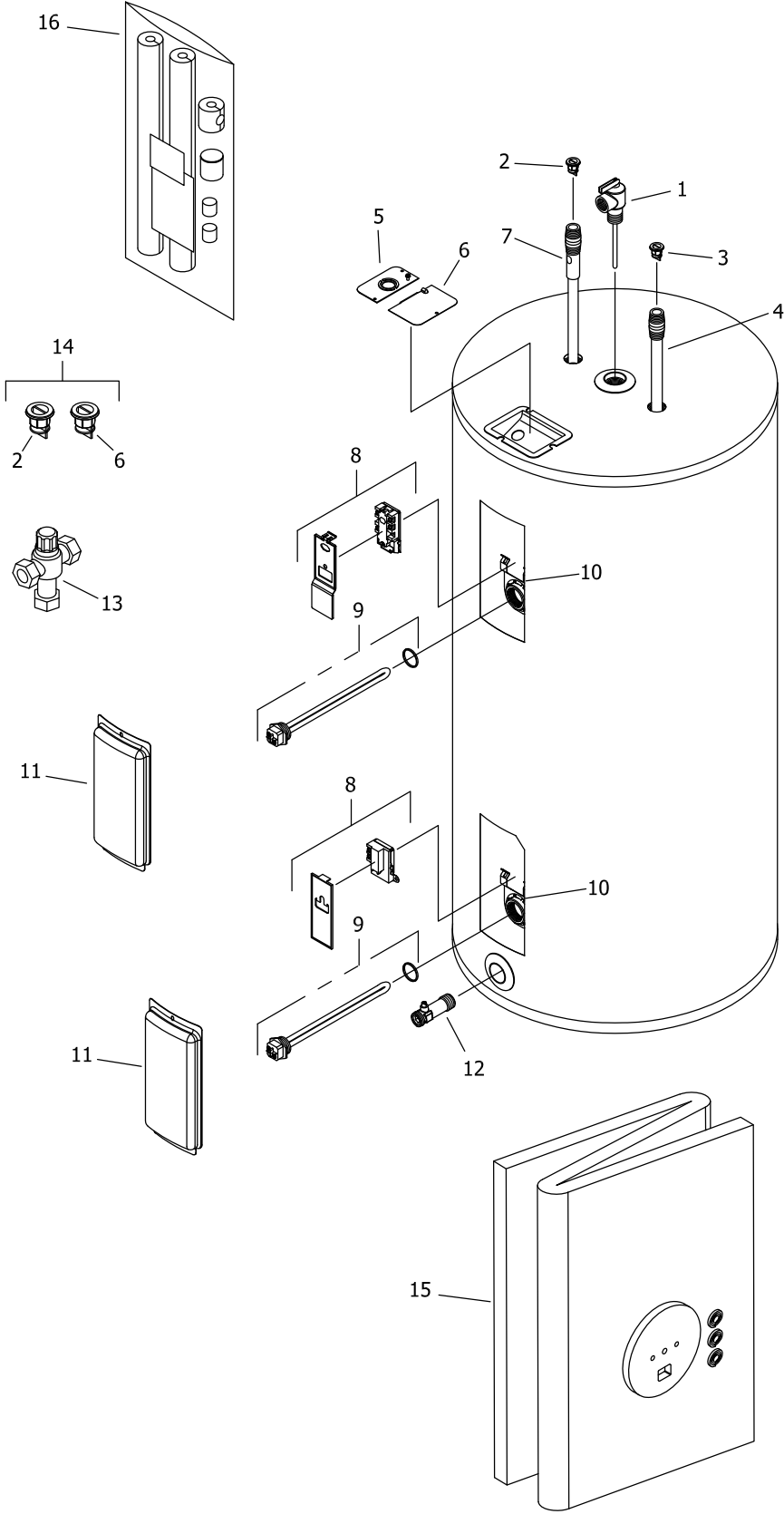
59T66T
415-50691-00

BOTTOM LOCATION

- Double element water heater, non-simultaneous single phase operation



59T
415-51046-00



Item	Description	Model RE240L
1	T&P Relief Valve	415-40594-02
2	Heat Trap Insert (Inlet)	415-51556-00
3	Heat Trap Insert (Outlet)	415-45167-00
4	Hot Water Outlet Anode (Magnesium) ♦#	415-47776-19
	Hot Water Outlet Anode (Aluminum) ♦#	415-32999-28
	Hot Water Outlet Anode (A420 Aluminum) ♦#	415-49560-10
5	Cover Conduit/Ground w/ Ground Screw	239-55386-00
6	Cover Junction Box	243-39452-00
7	Cold Water Inlet Tube Pex ♦♦	229-51415-27
8	Upper Thermostat with High Limit (59T66) w/ Protector ▲■	415-51046-00
	Lower Thermostat (59T) w/ Protector ▲■	415-51046-00
	Lower Thermostat with High Limit (59T66) ▲	415-50691-00
9	Heating Element 240V 4500W w/ Gasket μ (qty 2)	415-48642-00
10	Thermostat Mounting Bracket	415-50689-00
11	Access Cover	243-36618-02
12	Drain Valve	415-51684-01
13	ASSE Approved Mixing Valve	239-51778-00
14	Kit-Heat Trap Insert (PEX)	265-51572-00
15	Blanket Kit	239-54891-00
16	Insulation Kit	239-48949-00

▲ Thermostat protector provided with thermostat. The thermostat mounting bracket is also provided with the thermostat.

μ For other voltage and wattage combinations, refer to heating elements on page 12 & 13.

■ Upper and lower thermostats are packaged together.

Anode may need to be cut to length, please see page 14 for reference chart of anode length by model.

TOP LOCATION

- RE250L(N) & RE255T water heater, non-simultaneous single phase and three phase operation.

59T66T

415-54052-00

TOP LOCATION

- Double element water heater, non-simultaneous single phase and three phase operation except RE250L(N) & RE255T.

59T66T

415-51046-00

TOP LOCATION

- Double element water heater, simultaneous operation.

BOTTOM LOCATION

- Single element water heater.
- Double element water heater, non-simultaneous three phase operation.
- Double element water heater, simultaneous operation.

59T66T

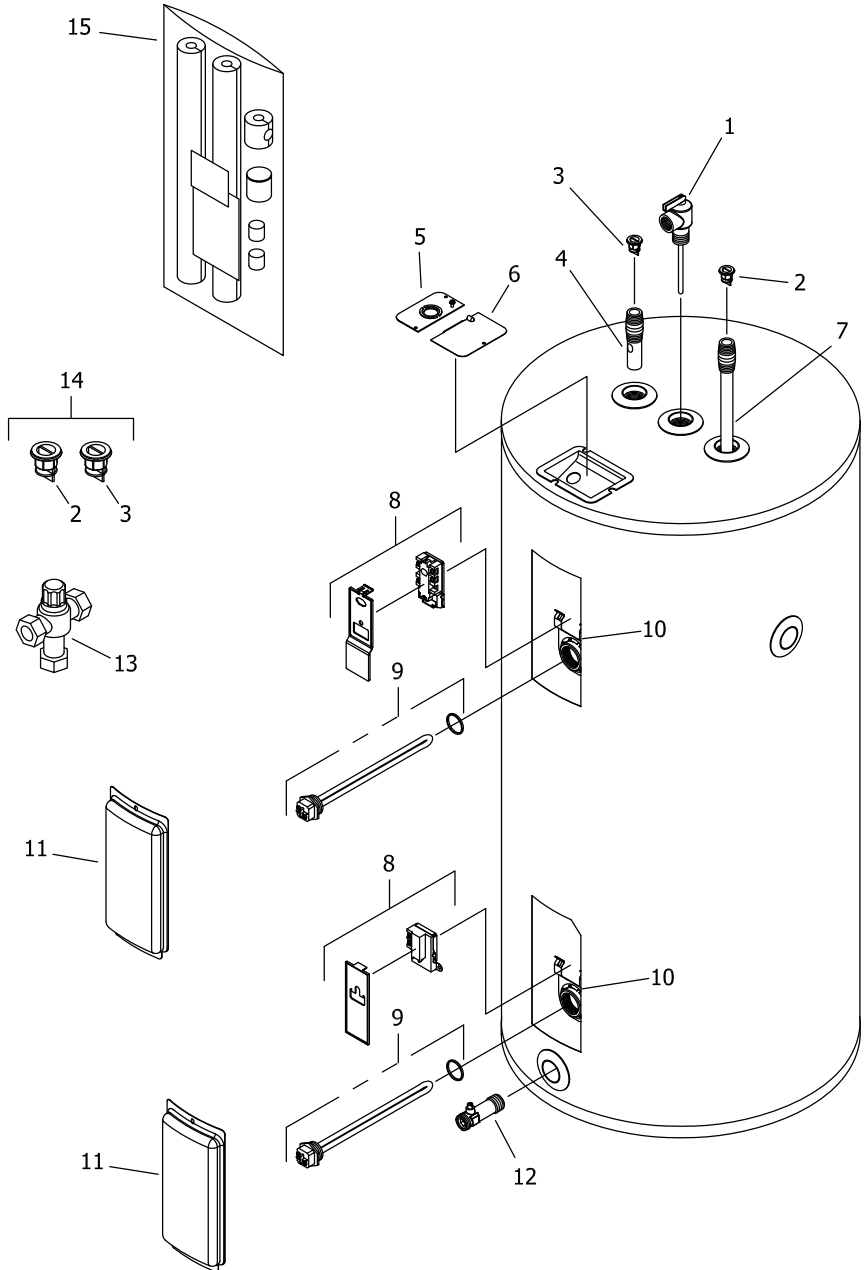
415-50691-00

BOTTOM LOCATION

- Double element water heater, non-simultaneous single phase operation

59T

415-51046-00



Item	Description	Model RE120L	Model RE130L	Model RE230LN	Model RE240LN	Model RE250L(N)	Model RE255T
1	T&P Relief Valve	415-40594-02	415-40594-02	415-40594-02	415-40594-02	415-40594-02	415-40594-04
2	Heat Trap Insert (Inlet)	---	415-51556-00	415-51556-00	415-51556-00	415-51556-00	415-51556-00
3	Heat Trap Insert (Outlet)	---	415-45167-00	415-45167-00	415-45167-00	415-45167-00	415-45167-00
4	Hot Water Outlet Device ♦	---	229-51995-00	229-51995-00	229-51858-00	229-51858-00	229-50053-06
5	Cover Conduit/Ground w/ Ground Screw	239-55386-00	239-55386-00	239-55386-00	239-55386-00	239-55386-00	239-55386-00
6	Cover Junction Box	243-39452-00	243-39452-00	243-39452-00	243-39452-00	243-39452-00	243-39452-00
7	Cold Water Inlet Tube PEX ♦	415-51230-01	229-51718-03	229-51718-03	229-52007-01	229-51718-02	229-51718-05
8	Hex head Sacrificial Anode (Magnesium) #	415-47782-08	415-47782-08	415-47782-08	415-47782-08	415-47782-08	415-47782-08
	Hex head Sacrificial Anode (Aluminum) #	415-38508-10	415-38508-10	415-38508-10	415-38508-10	415-38508-10	415-38508-10
	Hex head Sacrificial Anode (A420 Aluminum) #	415-49559-04	415-49559-04	415-49559-04	415-49559-04	415-49559-04	415-49559-04
9	Upper Thermostat with High Limit (59T66) & Protector ▲■	415-51046-00	415-51046-00	415-51046-00	415-51046-00	415-54052-00	415-54052-00
	Lower Thermostat (59T) w/ Protector ▲■	415-51046-00	415-51046-00	415-51046-00	415-51046-00	415-54052-00	415-54052-00
	Lower Thermostat with High Limit (59T66) ▲	415-50691-00	415-50691-00	415-50691-00	415-50691-00	415-50691-00	415-50691-00
10	Heating Element 240V 4500W w/ Gasket μ (qty 2)	415-48642-00	415-48642-00	415-48642-00	415-48642-00	415-48642-00	415-48642-00
11	Thermostat Mounting Bracket	415-50689-00	415-50689-00	415-50689-00	415-50689-00	415-50689-00	415-50689-00
12	Access Cover	243-36618-02	243-36618-02	243-36618-02	243-36618-02	243-36618-02	243-36618-02
13	Brass Drain Valve	415-42351-02	415-42351-02	415-51684-02	415-51684-02	415-51684-01	415-51684-02
14	ASSE Approved Mixing Valve	239-51778-00	239-51778-00	239-51778-00	239-51778-00	239-51778-00	239-51778-00
15	Kit-Heat Trap Insert (PEX)	---	265-51875-00	265-51875-00	265-51875-00	265-51875-00	265-51572-00
16	Blanket Kit	---	239-54890-00	---	---	---	---
17	Insulation Kit	---	239-48949-00	239-48949-00	239-48949-00	239-48949-00	---

♦ Order with item 2.

▲ Thermostat protector provided with thermostat. The thermostat mounting bracket is also provided with the thermostat.

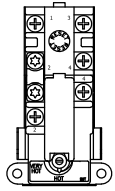
μ For other voltage and wattage combinations, refer to heating elements on page 12 & 13.

■ Upper and lower thermostats are packaged together.

Anode may need to be cut to length, please see page 14 for reference chart of anode length by model.

TOP LOCATION

- Double element water heater, non-simultaneous single phase and three phase operation.



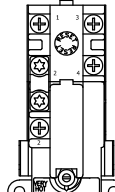
59T66T
415-51046-00

TOP LOCATION

- Double element water heater, simultaneous operation.

BOTTOM LOCATION

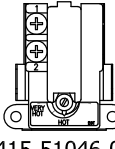
- Single element water heater.
- Double element water heater, non-simultaneous three phase operation.
- Double element water heater, simultaneous operation.



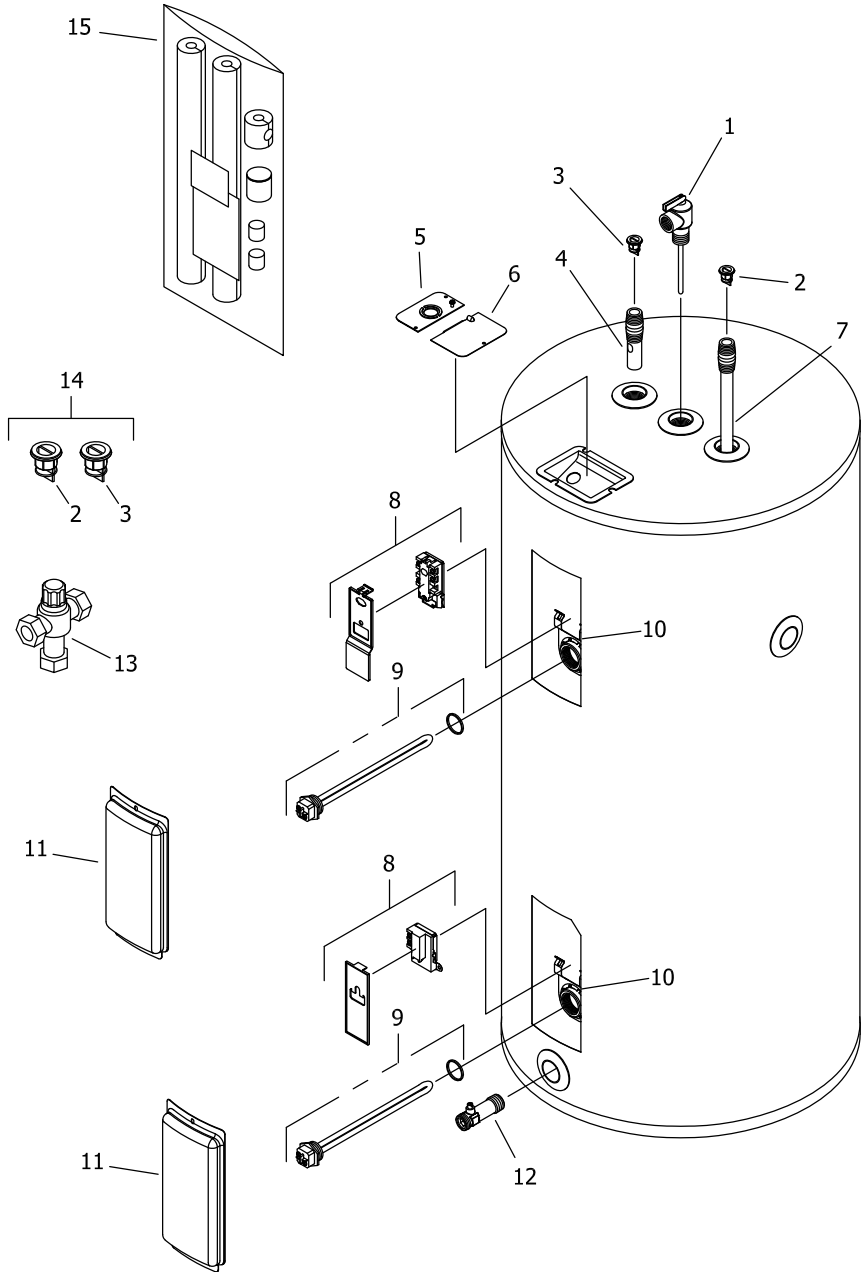
59T66T
415-50691-00

BOTTOM LOCATION

- Double element water heater, non-simultaneous single phase operation



59T
415-51046-00



Item	Description	Model RE340T	Model RE350T	Model RE380T	Model RE3120T
1	T&P Relief Valve	415-40594-02	415-40594-02	415-40594-02	415-40594-02
2	Heat Trap Insert (Outlet)	415-45167-00	415-45167-00	415-45167-00	415-45167-00
3	Hot Water Outlet Anode (Magnesium) ♦#	415-47776-19	415-47776-25	224-47776-27	415-47780-01
	Hot Water Outlet Anode (Aluminum) ♦#	415-32999-28	415-32999-43	415-32999-28	415-32999-28
	Hot Water Outlet Anode (A420 Aluminum) ♦#	415-49560-10	415-49560-11	415-49560-10	222-49560-10
4	Cover Conduit/Ground w/ Ground Screw	239-55386-00	239-55386-00	239-55386-00	239-55386-00
5	Cover Junction Box	243-39452-00	243-39452-00	243-39452-00	243-39452-00
6	Heat Trap Insert (Inlet)	415-51556-00	415-51556-00	415-51556-00	415-51556-00
7	Cold Water Inlet Tube PEX ♦♦	229-51415-28	229-51718-05	229-51230-33	229-45032-01
8	Upper Thermostat with High Limit (59T66) & Protector ▲■	415-51046-00	415-51046-00	415-51046-00	415-51046-00
	Lower Thermostat (59T) w/ Protector ▲■	415-51046-00	415-51046-00	415-51046-00	415-51046-00
	Lower Thermostat with High Limit (59T66) ▲	415-50691-00	415-50691-00	415-50691-00	415-50691-00
9	Heating Element 240V 4500W w/ Gasket μ (qty 2)	415-48642-00	415-48642-00	415-48642-00	415-48642-00
10	Thermostat Mounting Bracket	415-50689-00	415-50689-00	415-50689-00	415-50689-00
11	Access Cover	243-36618-02	243-36618-02	243-36618-02	243-36618-02
12	Brass Drain Valve	415-51684-02	415-51684-02	415-42351-04	415-42351-04
13	ASSE Approved Mixing Valve	239-51778-00	239-51778-00	239-51778-00	239-51778-00
14	Kit-Heat Trap Insert (PEX)	265-51572-00	265-51572-00	265-51572-00	265-51572-00
15	Insulation Kit	---	---	239-48949-00	239-48949-00

♦ Order with item 2.

♦♦ Order with item 6.

▲ Thermostat protector provided with thermostat. The thermostat mounting bracket is also provided with the thermostat.

μ For other voltage and wattage combinations, refer to heating elements on page 12 & 13.

■ Upper and lower thermostats are packaged together.

Anode may need to be cut to length, please see page 14 for reference chart of anode length by model.

**Heating Elements (Copper) for:
Residential Series (RE)
Light Duty (LE) Commercial Series
Medium Duty (E32) Commercial Series
Commercial (MII) Series**

Wattage	120 Volt	208 Volt	240 Volt	277 Volt	380 Volt
1000W ▲	415-42540-01	415-42544-01	415-42546-01	N/A	N/A
1250W ▲	N/A	N/A	415-42544-13	N/A	N/A
1500W ▲	415-42540-02	415-42544-03	415-42544-01	N/A	N/A
1500W (LWD)▲	415-42540-03	N/A	415-42544-02	N/A	N/A
2000W ▲	415-42540-04	415-42544-04	415-42544-03	N/A	N/A
2500W ▲	415-42540-05	415-42544-06	415-42544-04	N/A	N/A
3000W ▲	415-42540-07	415-42544-14	415-42544-05	N/A	N/A
3500W ▲▲	N/A	415-42544-08	415-42544-06	N/A	N/A
3800W ▲▲	N/A	N/A	415-42546-10	N/A	N/A
4000W ▲▲	N/A	415-42544-16	415-42544-14	N/A	N/A
4500W ▲▲	N/A	415-42544-12	415-42544-08	N/A	N/A
4500W (LWD) ▲▲	N/A	N/A	415-51333-09	N/A	N/A
5000W ▲▲	N/A	N/A	415-42544-10	N/A	N/A
5500W ▲▲	N/A	N/A	415-42544-16	N/A	N/A
6000W ▲▲	N/A	N/A	415-42544-12	N/A	N/A
Element gasket ^	223-34019-00	223-34019-00	223-34019-00	223-34019-00	223-34019-00
Element plug	223-34020-00	223-34020-00	223-34020-00	223-34020-00	223-34020-00

(LWD) = Low Watt Density

- ▲ For 12" Diameter tanks and above.
- ▲▲ For 14" Diameter tanks and above.
- * For 16" Diameter tanks and above.
- ** For 18" Diameter tanks and above.
- ^ Element gaskets included with elements.

**Heating Elements (Incoloy) for:
Residential Series (RE)
Light Duty (LE) Commercial Series
Medium Duty (E32) Commercial Series
Commercial (MII) Series**

Wattage	120 Volt	208 Volt	240 Volt	277 Volt	380 Volt
1000W ▲	N/A	415-42545-17	415-42547-10	N/A	N/A
1250W ▲	N/A	N/A	N/A	N/A	N/A
1500W ▲	415-42541-02	415-42545-02	415-42545-13	415-42547-10	415-42551-12
1500W (LWD)▲	N/A	N/A	N/A	N/A	N/A
2000W ▲	N/A	415-42545-14	415-42545-02	415-42547-07	415-42549-04
2500W ▲	N/A	415-42545-11	415-42545-14	415-42547-11	415-42551-13
3000W ▲	N/A	415-42545-12	415-42545-15	415-42547-08	415-42551-10
3500W ▲▲	N/A	415-42545-16	415-42545-11	N/A	415-42551-14
3800W ▲▲	N/A	N/A	415-42547-15	N/A	N/A
4000W ▲▲	N/A	415-42545-17	415-42545-12	415-42547-03	415-42551-16
4500W ▲▲	N/A	415-42545-19	415-42545-16	415-42547-12	415-42551-17
4500W (LWD) ▲▲	N/A	N/A	N/A	N/A	N/A
5000W ▲▲	N/A	415-42543-04	415-42545-18	415-42547-15	415-42553-11
5500W ▲▲	N/A	415-42543-05	415-42545-17	415-42547-13	415-42549-06
6000W ▲▲	N/A	415-42543-06	415-42545-19	415-42547-14	415-42549-05
Element gasket ^	223-34019-00	223-34019-00	223-34019-00	223-34019-00	223-34019-00
Element plug	223-34020-00	223-34020-00	223-34020-00	223-34020-00	223-34020-00

(LWD) = Low Watt Density

Element wrench *** 415-35897-12

Adapt-a-flange kit *** 265-36968-12

*** For use with residential, LD, E32, and MII series heating elements only. Not for use with commercial "A" series heating elements.

▲ For 12" Diameter tanks and above.

▲▲ For 14" Diameter tanks and above.

* For 16" Diameter tanks and above.

** For 18" Diameter tanks and above.

^ Element gaskets included with elements.

Reference Chart of Anode Length by Model

Model	AOD Anode Cut (End to end)		Hex Head Anode Cut Length (End to end)	
	Inches	Millimeters	Inches	Millimeters
RE240S	39.13	994	---	---
RE250S	39.13	994	---	---
RE330S	39.13	994	---	---
RE340S	39.13	994	---	---
RE350S	39.13	994	---	---
RE250T	44.63	1133.6	43.5	1105
RE255T	---	---	47	1194
RE120L	20.63	524	---	---
RE130L	---	---	23	584
RE230LN	---	---	23	584
RE240L(N)	---	---	23	584
RE250L(N)	---	---	23	584
RE340T	44.63	1133.6	---	---
RE350T	44.63	1133.6	---	---
RE380T	51.63	1316	---	---
RE3120T	50.81	1291	---	---



United States

Sales 1-800-523-2931
Technical Support 1-800-334-3393
Email techsupport@bradfordwhite.com
Warranty 1-800-531-2111
Email warranty@bradfordwhite.com
Service Parts 1-800-538-2020
Email parts@bradfordwhite.com

Canada

Sales 1-866-690-0961 1-905-203-0600
Fax 905-636-0666
Warranty 1-800-531-2111
Email warranty@bradfordwhite.com
Technical Support 1-800-334-3393
Email techsupport@bradfordwhite.com
Orders ca.orders@bradfordwhite.com
Service Parts bwccwarranty@bradfordwhite.com

For U.S. and Canada field service, contact your professional installer or local Bradford White sales representative.

International

General Contact international@bradfordwhite.com