

# 1518-MC19

## 19" Medicine Cabinet

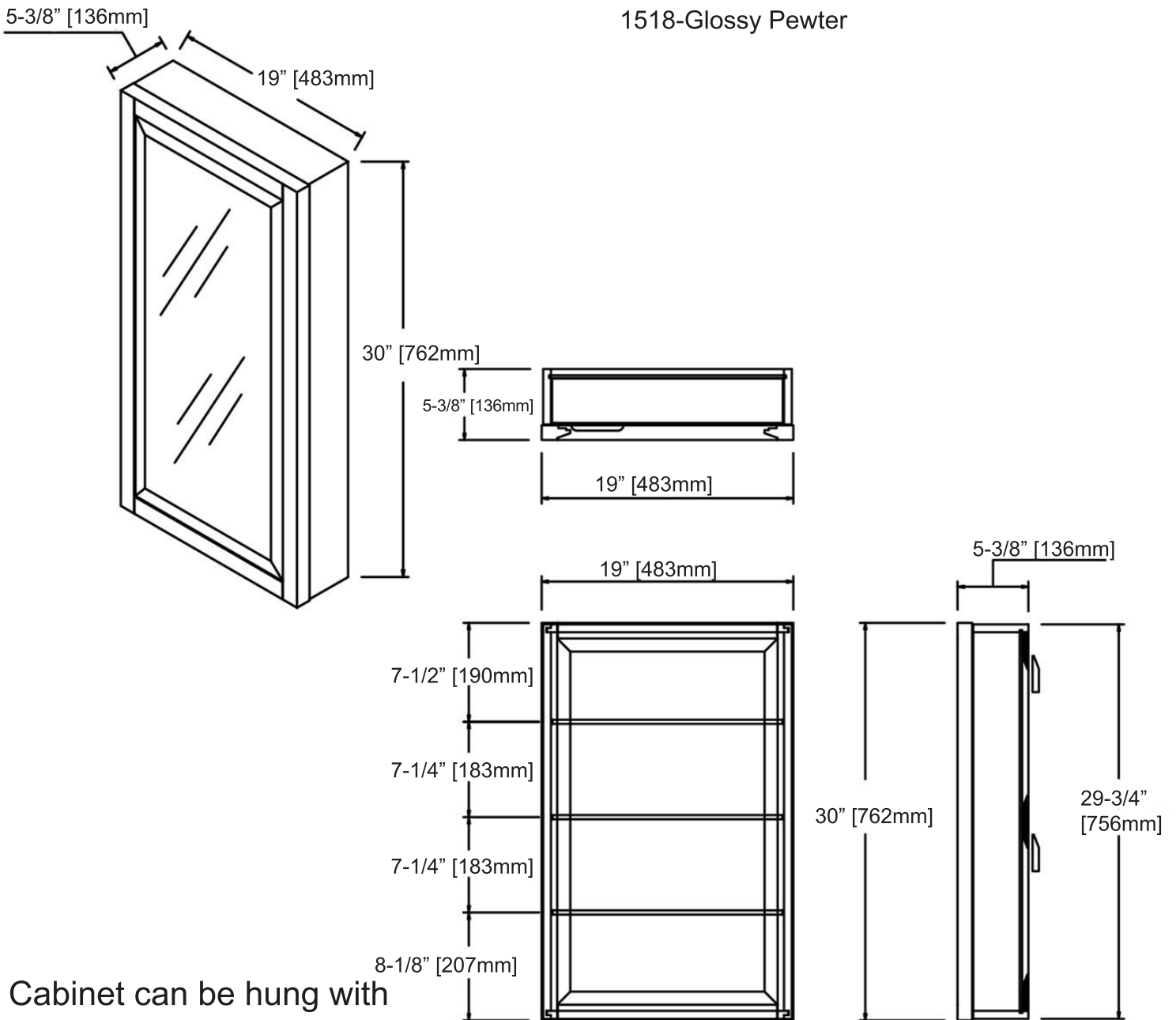
SPECIFICATION SHEET

**Features**

Materials: Poplar Solids  
 Door: 1 (hinge-reversible)  
 Shelf: 3 (adjustable)  
 Mirror: No bevel  
 Mounting: Cleat

**Colors / Finish**

1518-Glossy Pewter



\* Cabinet can be hung with door hinge right or left.

Date: 05/01/2018