
REPLACEMENT PARTS MANUAL

WALL MOUNTED PACKAGED HEAT PUMP

Models:

W30H2-A W30H2DA W36H2-A W36H2DA
W30H2-B W30H2DB W36H2-B W36H2DB
W30H2-C W30H2DC W36H2-C W36H2DC

General Notes

- Revised and/or additional pages may be issued from time to time.
- A complete and current manual consists of pages shown in the following contents section.

Important

- Contact the installing and/or local Bard distributor for all parts requirements. Be sure to have the complete model and serial number available from the unit rating plates.

Contents

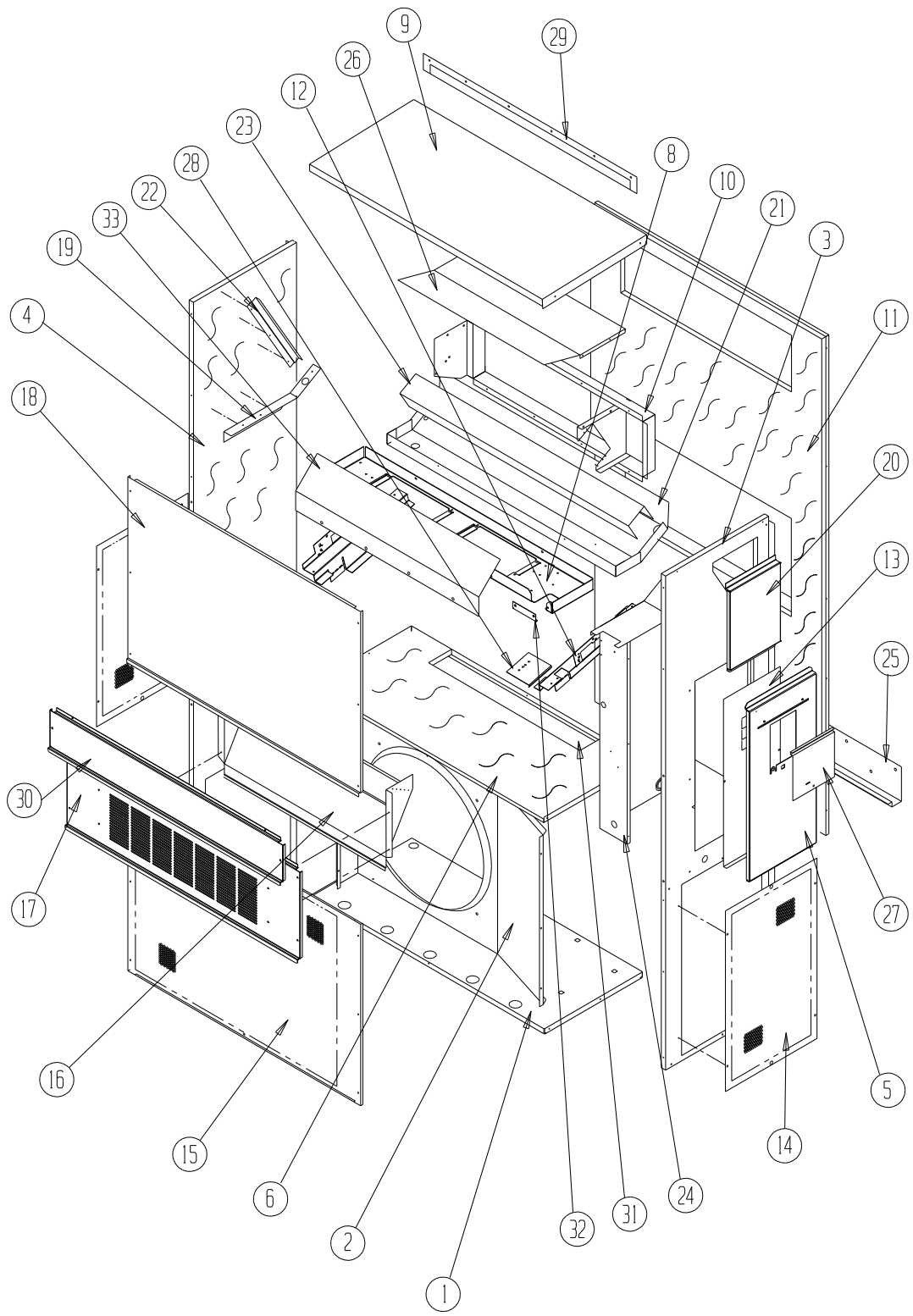
<u>Description</u>	<u>Page</u>
Cabinet Components	
♦ Exploded View	2
♦ Usage List	3
Functional Components	
♦ Exploded View	4
♦ Usage List	5
♦ Usage List – Dehum. Models	6
Control Panel	
♦ Layout View	8
♦ Usage List	9
Control Panel – Dehum. Models	
♦ Layout View	10
♦ Usage List	11
Blower Assembly	
♦ Exploded View	12
♦ Usage List	12



Bard Manufacturing Company, Inc.
Bryan, Ohio 43506
www.bardhvac.com

Manual: 2110-596F
Supersedes: 2110-596E
Date: 11-18-16

CABINET COMPONENTS



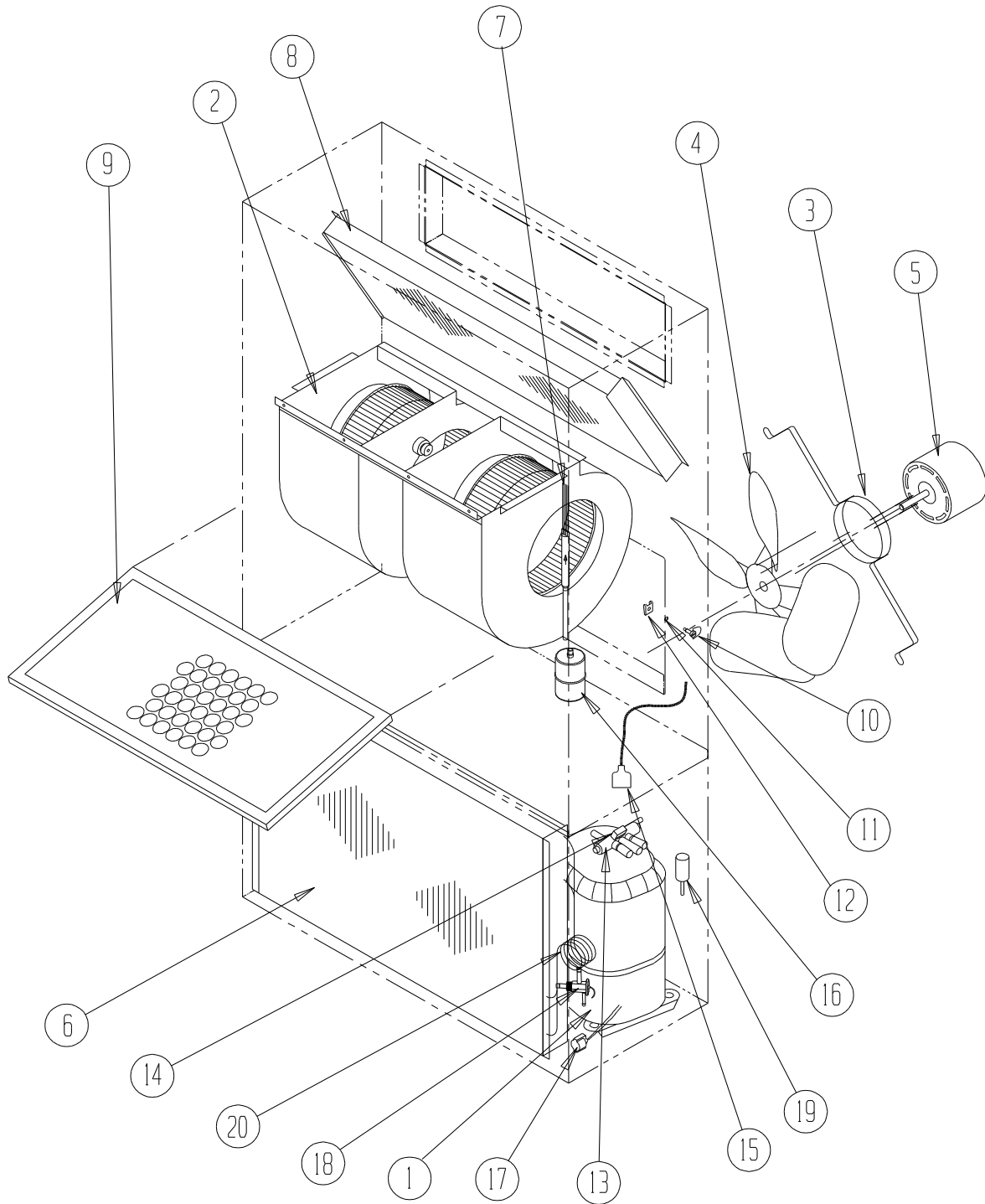
SEXP-688

CABINET COMPONENTS

Dwg No.	Part Number	Description	W30H2-A, B	W30H2-C	W30H2DA, B	W30H2DC	W36H2-A, B	W36H2-C	W36H2DA, B	W36H2DC
1	127-471	Lower Base	X	X	X	X	X	X	X	X
1	127-440 ③	Lower Base	X	X	X	X	X	X	X	X
2	125-022	Fan Shroud	X	X	X	X	X	X	X	X
2	125-057 ③	Fan Shroud	X	X	X	X	X	X	X	X
3	S501-684-* ①	Right Side	X	X	X	X	X	X	X	X
3	S501-722 ②	Right Side	X	X	X	X	X	X	X	X
3	S501-720 ③	Right Side	X	X	X	X	X	X	X	X
4	S501-711-* ①	Left Side	X	X	X	X	X	X	X	X
4	S501-723 ②	Left Side	X	X	X	X	X	X	X	X
4	S501-721 ③	Left Side	X	X	X	X	X	X	X	X
5	S533-228 ①	Control Panel Cover (Outer)	X	X	X	X	X	X	X	X
5	S533-236 ②	Control Panel Cover (Outer)	X	X	X	X	X	X	X	X
5	S533-235 ③	Control Panel Cover (Outer)	X	X	X	X	X	X	X	X
6	S521X384	Condenser Partition	X	X	X	X	X	X	X	X
8	121X182	Blower Partition	X	X	X	X	X	X	X	X
9	S507-308-* ①	Top	X	X	X	X	X	X	X	X
9	S507-320 ②	Top	X	X	X	X	X	X	X	X
9	S507-319 ③	Top	X	X	X	X	X	X	X	X
10	S111X030	Outlet Air Frame Assembly	X	X	X	X	X	X	X	X
11	S508-088	Back	X	X	X	X	X	X	X	X
11	S509-290 ②	Back	X	X	X	X	X	X	X	X
11	S508-222 ③	Back	X	X	X	X	X	X	X	X
12	113X480	Filter Bracket	2	2	2	2	2	2	2	2
13	S132-104	Control Panel Cover (Inner)	X		X		X		X	
13	S132-172	Control Panel Cover (Inner)		X		X		X		X
14	118-056-* ①	Side Grille	2	2	2	2	2	2	2	2
14	118-060 ②	Side Grille	2	2	2	2	2	2	2	2
14	118-067 ③	Side Grille	2	2	2	2	2	2	2	2
15	118-059-* ①	Condenser Grille	X	X	X	X	X	X	X	X
15	118-061 ②	Condenser Grille	X	X	X	X	X	X	X	X
15	118-066 ③	Condenser Grille	X	X	X	X	X	X	X	X
16	BFAD-3	Fresh Air Damper Assembly	X	X	X	X	X	X	X	X
17	S553-523-* ①	Vent Option Door	X	X	X	X	X	X	X	X
17	S553-540 ①	Vent Option Door with ERV	X	X	X	X	X	X	X	X
17	S553-550 ②	Vent Option Door	X	X	X	X	X	X	X	X
17	S553-549 ③	Vent Option Door	X	X	X	X	X	X	X	X
18	S514-241-* ①	Upper Front	X	X	X	X	X	X	X	X
18	S515-239 ②	Upper Front	X	X	X	X	X	X	X	X
18	S514-238 ③	Upper Front	X	X	X	X	X	X	X	X
19	105X850	Side Support	X	X	X	X	X	X	X	X
20	S543-175-* ①	Right Side Cover Plate (Outer)	X	X	X	X	X	X	X	X
20	S543-184 ②	Right Side Cover Plate (Outer)	X	X	X	X	X	X	X	X
20	S543-185 ③	Right Side Cover Plate (Outer)	X	X	X	X	X	X	X	X
21	S123-127	Drain Pan	X	X	X	X	X	X	X	X
21	S123-141 ③	Drain Pan	X	X	X	X	X	X	X	X
22	147-044	Evaporator Support	X	X	X	X	X	X	X	X
23	137-685	Bottom Evaporator Fill	X	X			X	X		
23	137-722	Bottom Evaporator Fill			X	X			X	X
24	Control Panel Assembly	See Control Panel Assy. Drawing & Parts List Assy.	X	X	X	X	X	X	X	X
25	113-140	Bottom Mounting Bracket	X	X	X	X	X	X	X	X
26	135X123	Heat Shield	X	X	X	X	X	X	X	X
27	S153-218 ①	Disconnect Access Door	X	X	X	X	X	X	X	X
27	S153-387 ②	Disconnect Access Door	X	X	X	X	X	X	X	X
27	S153-405 ③	Disconnect Access Door	X	X	X	X	X	X	X	X
28	137-259	Fill Plate	X	X	X	X	X	X	X	X
29	113-149-* ①	Top Rain Flashing	X	X	X	X	X	X	X	X
29	113-360 ②	Top Rain Flashing	X	X	X	X	X	X	X	X
30	S553-524-* ①	Filter Door	X	X	X	X	X	X	X	X
30	S553-554 ②	Filter Door	X	X	X	X	X	X	X	X
30	S553-553 ③	Filter Door	X	X	X	X	X	X	X	X
31	S536-498	Cond. Partition Block Off Plate	X	X	X	X	X	X	X	X
33	135-329	Air Baffle	X	X	X	X	X	X	X	X

- ① Exterior cabinet parts are manufactured with various paint color options. To ensure the proper paint color is received, please reference the following codes: Beige -X, White -1, Buckeye Gray -4, Desert Brown -5, Dark Bronze -8
- ② Exterior cabinet parts are manufactured for Code "A" aluminum cabinets
- ③ Exterior cabinet parts are manufactured for Code "S" stainless steel cabinets

FUNCTIONAL COMPONENTS



SEXP-529

FUNCTIONAL COMPONENTS

Dwg No.	Part Number	Description	W30H2-A	W30H2-B	W30H2-C	W36H2-A	W36H2-B	W36H2-C
1	8000-298	Compressor	X					
1	8000-299	Compressor		X				
1	8000-300	Compressor			X			
1	8000-309	Compressor				X		
1	8000-310	Compressor					X	
1	8000-311	Compressor						X
2	S900-231	Blower Assembly	X	X		X	X	
2	S900-232	Blower Assembly			X			X
3	8200-001	Fan Motor Mount	X	X	X	X	X	X
4	5151-045	Fan Blade	X	X	X	X	X	X
5	8103-013	Condenser Motor	X	X		X	X	
5	8103-020	Condenser Motor			X			X
6	5051-112BX	Condenser Coil				X	X	X
6	5051-157BX	Condenser Coil	X	X	X			
7	800-0649	Cooling Distributor Assembly				X	X	X
7	800-0648	Cooling Distributor Assembly	X	X	X			
8	5060-064BX	Evaporator Coil	X	X	X			
8	5060-136BX	Evaporator Coil				X	X	X
9	7004-019	Air Filter 1" Throw-Away	X	X	X	X	X	X
9	7003-031	Air Filter 1" Washable ①	X	X	X	X	X	X
9	7004-026	Air Filter 2" Pleated ①	X	X	X	X	X	X
10	1171-022	1/4" Turn Fastener	X	X	X	X	X	X
11	1171-024	1/4" Turn Retainer	X	X	X	X	X	X
12	1171-023	1/4" Receptacle	X	X	X	X	X	X
13	5650-039	Reversing Valve with 24V Solenoid Coil	X	X	X	X	X	X
14	5650-042	Rev. Valve Solenoid, Red Casing (Ranco)	X	X	X	X	X	X
14	5650-043	Rev. Valve Solenoid, Black Casing (Wilspec)	X	X	X	X	X	X
14	5650-046	Rev. Valve Solenoid, Black Casing (San Hua)	X	X	X	X	X	X
15	5650-037	Molded Plug 36" Lead	X	X	X	X	X	X
16	5201-009	Filter Drier	X	X	X	X	X	X
17	8620-224	Defrost Sensor	X	X	X	X	X	X
18	5651-177	Heating TXV Thermal Expansion Valve	X	X	X	X	X	X
19	8406-142	High Pressure Switch, Screw On, 650 PSIG	X	X	X	X	X	X
20	800-0378	Heating Distributor Assembly				X	X	X
20	800-0379	Heating Distributor Assembly	X	X	X			
NS	8406-135	Low Pressure Switch, Screw On, 14 PSIG	X	X	X	X	X	X
NS	CMA-28	Low Ambient Control (Flare) ①	X	X	X	X	X	X
NS	3000-1276	Compressor Wire Harness	X			X		
NS	3000-1244	Compressor Wire Harness		X	X		X	X
NS	6031-009	Coremax Valve Core	2	2	2	2	2	2
NS	CMH-14A	Outdoor Thermostat	X	X	X	X	X	X

NS = Not Shown

① = Optional

FUNCTIONAL COMPONENTS – DEHUM. MODELS

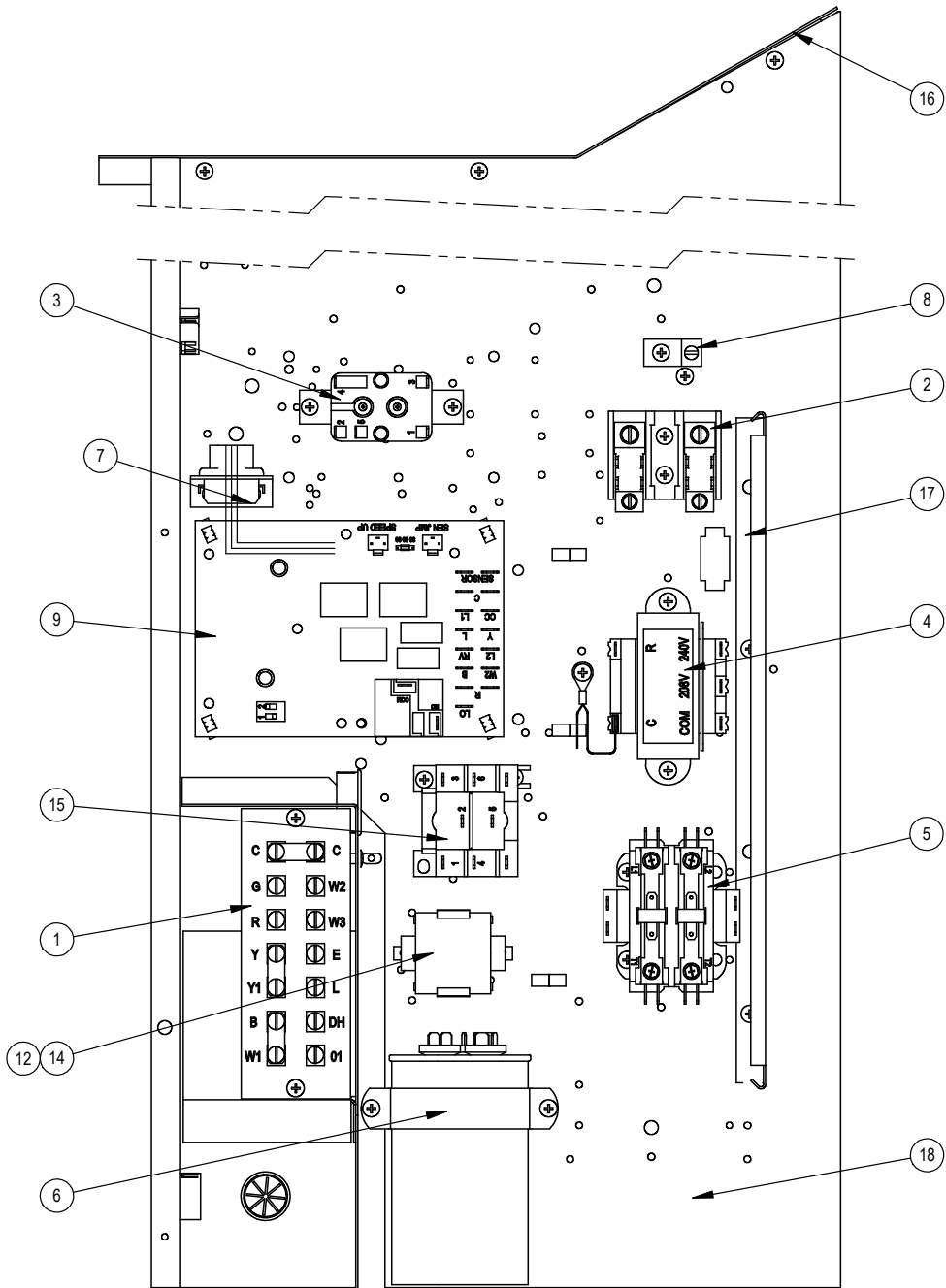
Dwg No.	Part Number	Description	W30H2DA	W30H2DB	W30H2DC	W36H2DA	W36H2DB	W36H2DC
1	8000-298	Compressor	X					
1	8000-299	Compressor		X				
1	8000-300	Compressor			X			
1	8000-309	Compressor				X		
1	8000-310	Compressor					X	
1	8000-311	Compressor						X
2	S900-231	Blower Assembly	X	X		X	X	
2	S900-232	Blower Assembly			X			X
3	8200-001	Fan Motor Mount	X	X	X	X	X	X
4	5151-045	Fan Blade	X	X	X	X	X	X
5	8103-013	Condenser Motor	X	X		X	X	
5	8103-020	Condenser Motor			X			X
6	5051-112BX	Condenser Coil				X	X	X
6	5051-157BX	Condenser Coil	X	X	X			
7	5651-233	Cooling Expansion Valve	X	X	X			
7	5651-211	Cooling Expansion Valve				X	X	X
7	800-0392	Cooling Distributor Assembly	X	X	X			
7	800-0393	Cooling Distributor Assembly				X	X	X
8	917-0043BX	Evaporator Coil Assembly	X	X	X			
8	917-0123BX	Evaporator Coil Assembly				X	X	X
9	7004-019	Air Filter 1" Throw-Away	X	X	X	X	X	X
9	7003-031	Air Filter 1" Washable ①	X	X	X	X	X	X
9	7004-026	Air Filter 2" Pleated ①	X	X	X	X	X	X
10	1171-022	1/4" Turn Fastener	X	X	X	X	X	X
11	1171-024	1/4" Turn Retainer	X	X	X	X	X	X
12	1171-023	1/4" Receptacle	X	X	X	X	X	X
13	5650-039	Reversing Valve with 24V Solenoid Coil	X	X	X	X	X	X
14	5650-042	Rev. Valve Solenoid, Red Casing (Ranco)	X	X	X	X	X	X
14	5650-043	Rev. Valve Solenoid, Black Casing (Wilspec)	X	X	X	X	X	X
14	5650-046	Rev. Valve Solenoid, Black Casing (San Hua)	X	X	X	X	X	X
15	5650-037	Molded Plug 3/6" Lead	X	X	X	X	X	X
16	5201-009	Filter Drier	X	X	X	X	X	X
17	8620-224	Defrost Sensor	X	X	X	X	X	X
18	5651-177	Heating TXV Thermal Expansion Valve	X	X	X	X	X	X
19	8406-142	High Pressure Switch, Screw On, 650 PSIG	X	X	X	X	X	X
20	800-0378	Heating Distributor Assembly				X	X	X
20	800-0186	Heating Distributor Assembly	X	X	X			
NS	3000-1276	Compressor Wire Harness	X			X		
NS	3000-1244	Compressor Wire Harness		X	X		X	X
NS	5651-146	Check Valve	X	X	X	X	X	X
NS	8406-135	Low Pressure Switch, Screw On, 14 PSIG	X	X	X	X	X	X
NS	CMA-28	Low Ambient Control (Flare) ①	X	X	X	X	X	X
NS	5650-042	Rev. Valve Solenoid, Red Casing (Ranco)	X	X	X	X	X	X
NS	5650-046	Rev. Valve Solenoid, Black Casing (San Hua)	X	X	X	X	X	X
NS	5650-045	3-Way Valve with 24V Solenoid Coil	X	X	X	X	X	X
NS	5650-043	Flow Control (Orifice)	X	X	X	X	X	X
NS	6031-009	Coremax Valve Core	2	2	2	2	2	2
NS	CMH-14A	Outdoor Thermostat	X	X	X	X	X	X

NS = Not Shown

① = Optional

This page intentionally left blank.

CONTROL PANEL



SEXP-530 B

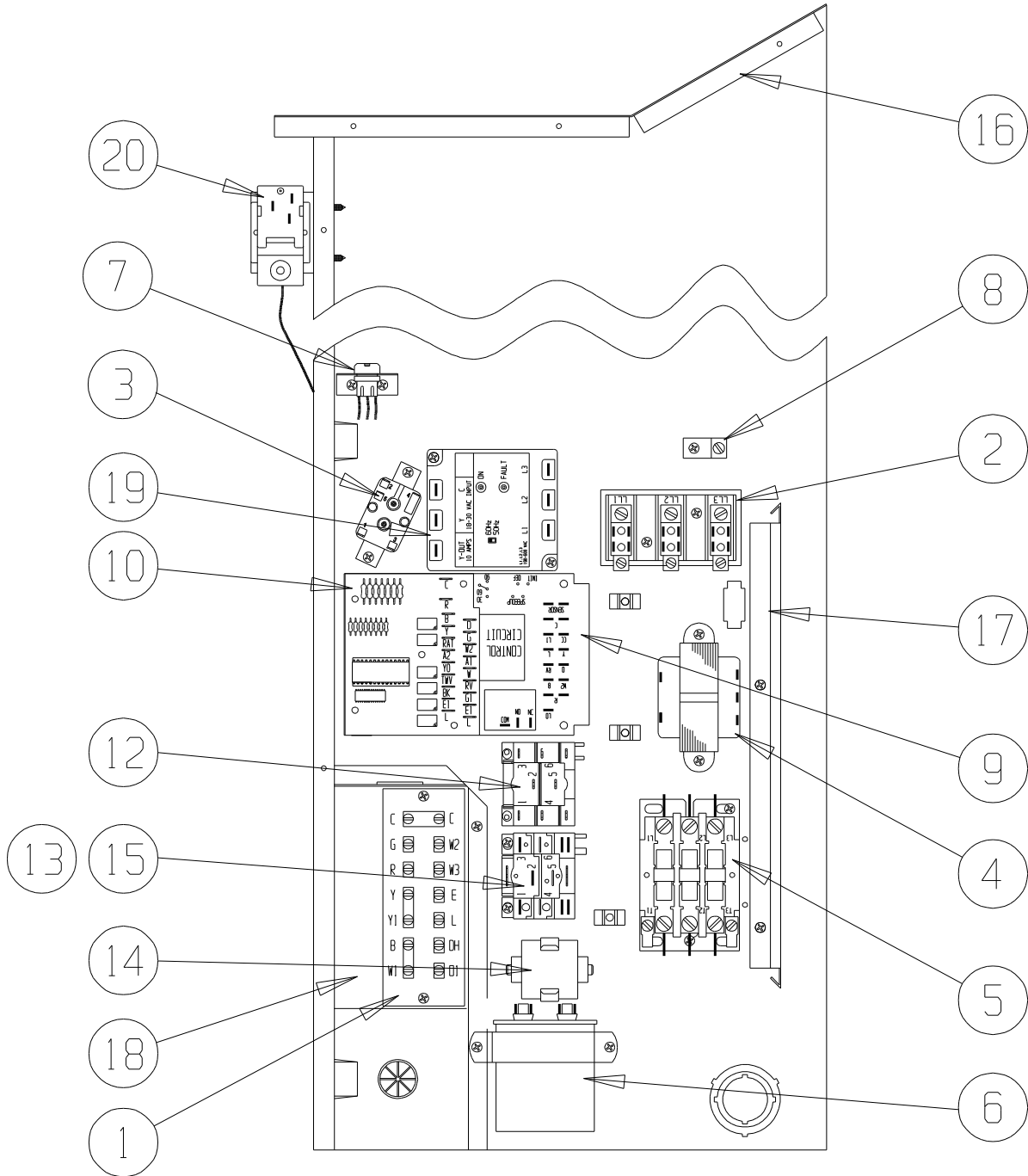
CONTROL PANEL

Dwg No.	Part Number	Description	W30H2-A	W30H2-B	W30H2-C	W36H2-A	W36H2-B	W36H2-C
1	8607-019	Low Voltage Terminal Strip	X	X	X	X	X	X
2	8607-013	Terminal Block 2 Pole	X			X		
2	8607-014	Terminal Block 3 Pole		X	X		X	X
2	8607-015	Phenolic Insulator			X			X
3	8201-009	Blower Control Relay	X	X		X	X	
3	8201-032	Blower Control Relay			X			X
4	8407-035	Transformer	X	X		X	X	
4	8407-042	Transformer			X			X
5	8401-006	Compressor Contactor	X			X		
5	8401-002	Compressor Contactor		X	X		X	X
6	8552-052	Compressor Capacitor	X			X		
6	8552-002	Outdoor Motor Capacitor		X	X		X	X
7	3000-1284	Wire Assembly	X	X	X	X	X	X
8	8611-006	Ground Terminal	X	X	X	X	X	X
9	8620-223	Heat Pump Control Board	X	X	X	X	X	X
12	8201-086	Low Ambient Bypass Relay ①	X	X	X	X	X	X
14	8551-004	Start Device (PTCR) ①	X			X		
15	8201-032	Outdoor Fan Relay			X			X
16	117X137	Control Panel Top	X	X	X	X	X	X
17	135-122	Wire Shield	X	X	X	X	X	X
18	117X232	Control Panel	X	X	X	X	X	X
NS	4096-140	Wiring Diagram	X			X		
NS	4096-242	Wiring Diagram		X			X	
NS	4096-341	Wiring Diagram			X			X
NS	8201-126	3-Phase Line Monitor		X	X		X	X
NS	CMH-14A	ODT Kit	X	X	X	X	X	X
NS	8615-038	Circuit Breaker 35A 2-Pole	X					
NS	8615-051	Circuit Breaker 25A 3-Pole		X				
NS	8615-067	460V 40A Toggle Disconnect			X			X
NS	8615-055	Circuit Breaker 40A 2-Pole				X		
NS	8615-051	Circuit Breaker 25A 3-Pole					X	

NS = Not Shown

① = Optional

CONTROL PANEL - DEHUM. MODELS



SEXP-542

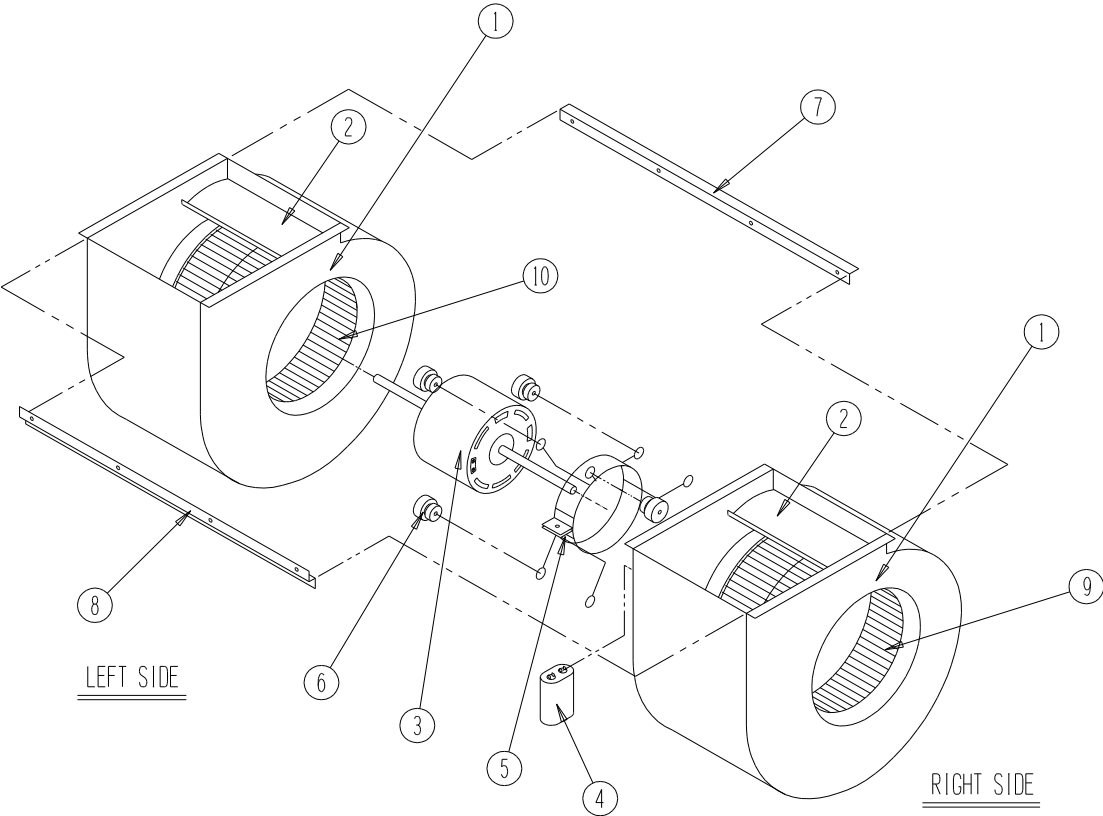
CONTROL PANEL – DEHUM. MODELS

Dwg No.	Part Number	Description	W30H2DA	W30H2DB	W30H2DC	W36H2DA	W36H2DB	W36H2DC
1	8607-019	Low Voltage Terminal Strip	X	X	X	X	X	X
2	8607-013	Terminal Block 2 Pole	X			X		
2	8607-014	Terminal Block 3 Pole		X	X		X	X
2	8607-015	Phenolic Insulator			X			X
3	8201-009	Blower Control Relay			X			X
3	8201-032	Blower Control Relay	X	X		X	X	
4	8407-065	Transformer 75VA	X	X		X	X	
4	8407-050	Transformer 75VA			X			X
5	8401-006	Compressor Contactor	X			X		
5	8401-002	Compressor Contactor		X	X		X	X
6	8552-052	Compressor Capacitor	X			X		
6	8552-002	Outdoor Motor Capacitor		X	X		X	X
7	3000-1285	6-Pin Wire Assembly	X	X	X	X	X	X
8	8611-006	Ground Terminal	X	X	X	X	X	X
9	8620-223	Heat Pump Control Board	X	X	X	X	X	X
10	8201-113	Dehumidification Logic Board ①	X	X	X	X	X	X
12	8201-086	Low Ambient Bypass Relay ①	X	X	X	X	X	X
13	8607-017	LAC Terminal Block ①	X	X	X	X	X	X
14	8551-004	Start Device (PTCR) ①	X			X		
15	8201-032	Outdoor Fan Relay			X			X
16	117X137	Control Panel Top	X	X	X	X	X	X
17	135-122	Wire Shield	X	X	X	X	X	X
18	117X232	Control Panel	X	X	X	X	X	X
19	8201-126	3-Phase Line Monitor		X	X		X	X
20	8408-037	Return Air Thermostat	X	X	X	X	X	X
NS	4096-143	Wiring Diagram	X			X		
NS	4096-244	Wiring Diagram		X			X	
NS	4096-342	Wiring Diagram			X			X
NS	CMH-14A	ODT Kit	X	X	X	X	X	X
NS	8615-038	Circuit Breaker 35A 2-Pole	X					
NS	8615-051	Circuit Breaker 25A 3-Pole		X				
NS	8615-067	460V 40A Toggle Disconnect			X			X
NS	8615-055	Circuit Breaker 40A 2-Pole				X		
NS	8615-051	Circuit Breaker 25A 3-Pole					X	

NS = Not Shown

① = Optional

BLOWER ASSEMBLY



SEXP-346

Dwg No.	Part Number	Description	S900-231	S900-232
1	151-111	Blower Housing	2	2
2	144-174	Diffuser	2	2
3	8105-029	Blower Motor (230/208)	X	
3	8105-033	Blower Motor (460)		X
4	8552-002	Capacitor	X	X
5	8200-031	Motor Mount	X	X
6	5451-011	Grommets	6	6
7	105-870	Back Brace	X	X
8	103-401	Front Brace	X	X
9	5152-090	Wheel CW	X	X
10	5152-091	Wheel CCW	X	X