



AR 400 742
Metal housing
600 CFM
Inside installation
Air extraction

400 series inline blower
AR 400

- Powerful blower for combination with 400 series ventilation systems such as AL 400 retractable downdraft, VL 414 downdraft and AW/AI 442 professional wall/island hood.
- Quiet blower with high-efficiency BLDC technology.

Output

3 performance output levels and intensive mode: Sound power and sound pressure depending on built-in situation.

Air extraction: 600 CFM.

Power levels depend on the ventilation system.

Features

3 electronically controlled power levels and one intensive mode.

Blower technology with highly Metal housing, zinc-plated.

Duct connection pieces on air intake side: 1x \varnothing 6" round, 4x \varnothing 6" round.

Duct connection piece on air output side: 1x \varnothing 6" round.

Spare cover to close an air intake included with the blower.

Retaining bracket for ceiling

installation or installation on the inner side of a cabinetry comes included with the blower.

Planning notes

AR400742 inline blower can only be combined with 400 series ventilation systems such as AL 400 retractable downdraft, VL 414 downdraft and AW/AI 442 professional wall/island hood.

Connection to the respective appliances via network cable.

Installation in the base cabinet: possible in areas with two cabinet drawers or on the floor with a cut-out in the base cabinet. Panel-free toe-kick possible.

Installation in a separate room, attic or crawl space allows for a reduced noise level in the kitchen.

Rating

Total rating: 210 W.

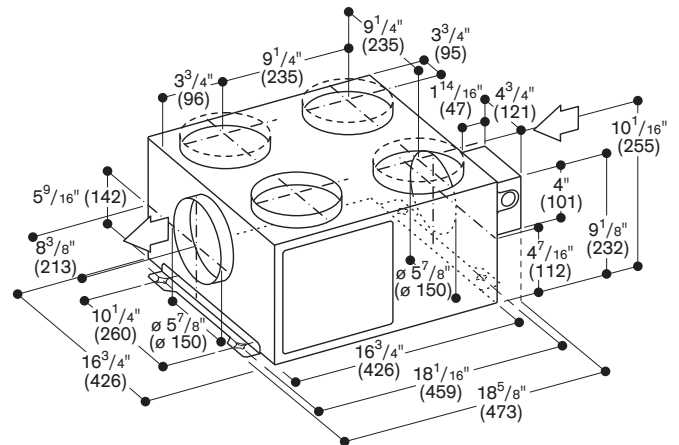
Total Amps: 2 A.

120 V / 60 Hz

Connecting cable not included. Hard wire required.

16' network cable included.

5x \varnothing 6" (\varnothing 150)
2 connecting pieces included



Numbers indicated
inside parenthesis () = mm