

American Standard

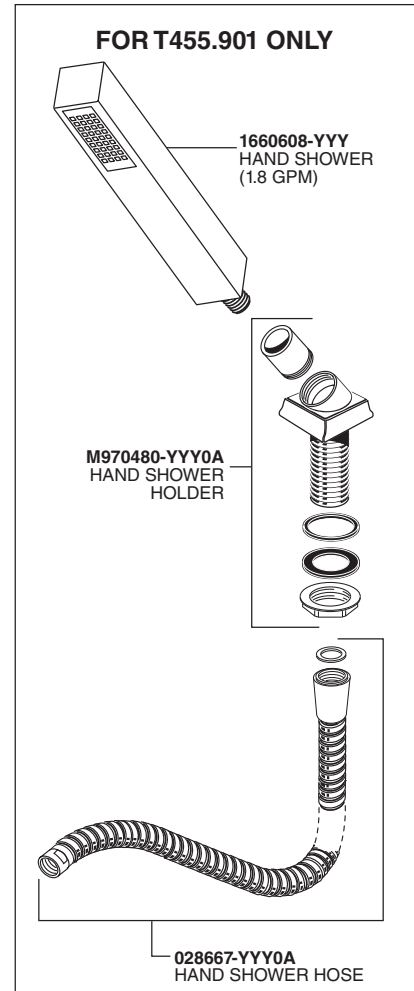
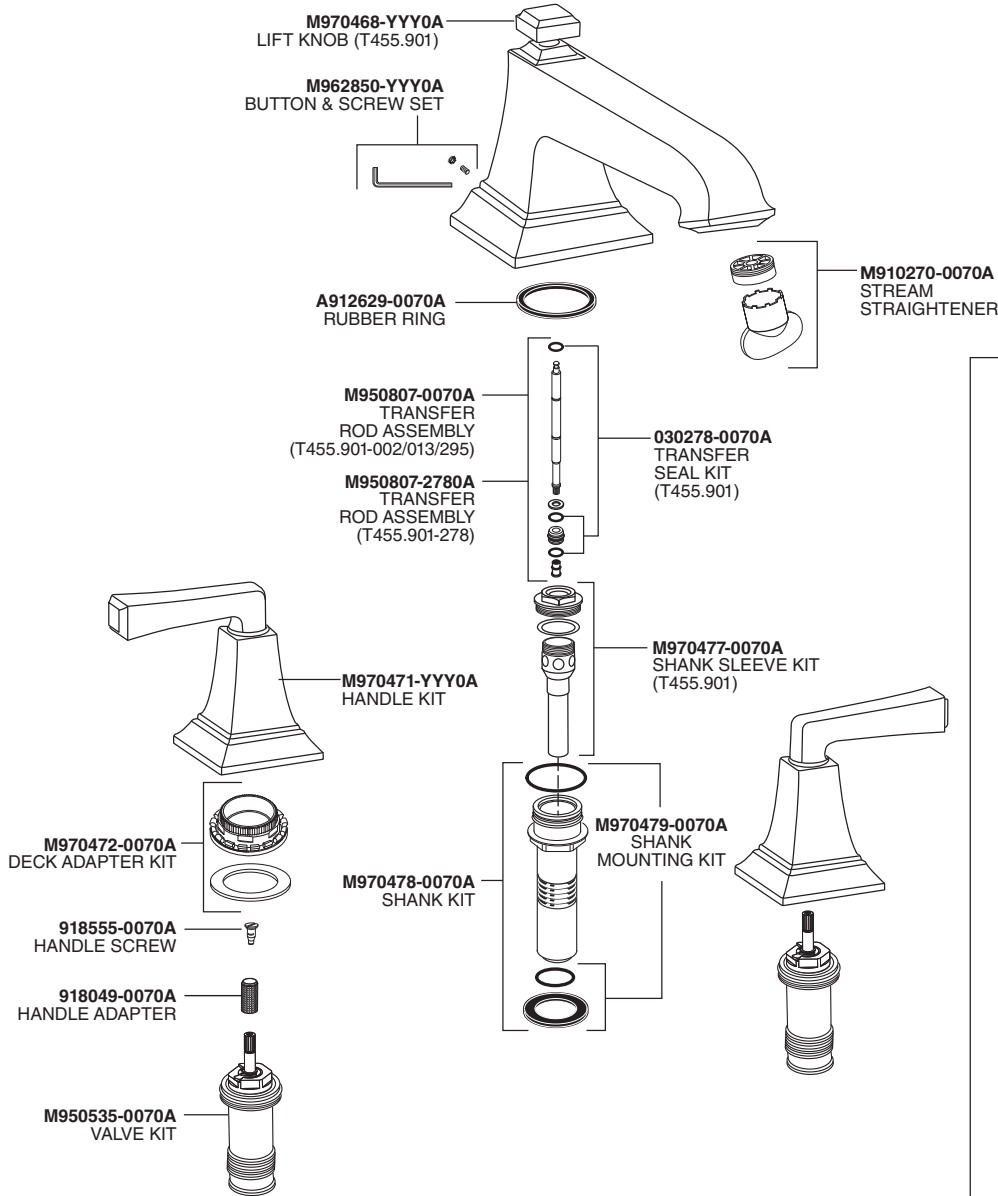
TOWN SQUARE® S DECK MOUNT TUB FILLER

MODEL NUMBER

T455900 / T455901

Replace the "YYY" with appropriate finish code

POLISHED CHROME	002
POLISH NICKEL	013
LEGACY BRONZE	278
BRUSHED NICKEL	295



PART OF LIXIL

HOT LINE FOR HELP

For toll-free information and answers to your questions, call:
1 (800) 442-1902

Mon. - Fri. 8:00 a.m. to 8:00 p.m. EST
Saturday 10:00 a.m. to 4:00 p.m. EST

IN CANADA 1-800-387-0369
(TORONTO 1-905-306-1093)

Weekdays 8:00 a.m. to 7:00 p.m. EST

IN MEXICO 01-800-839-1200

