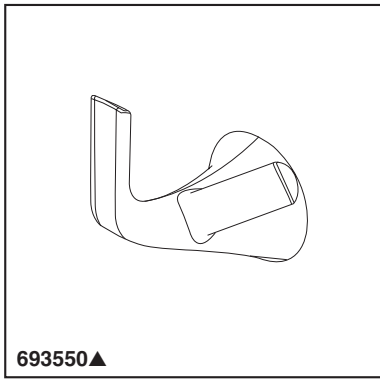


# BRIZO®

## ACCESSORIES

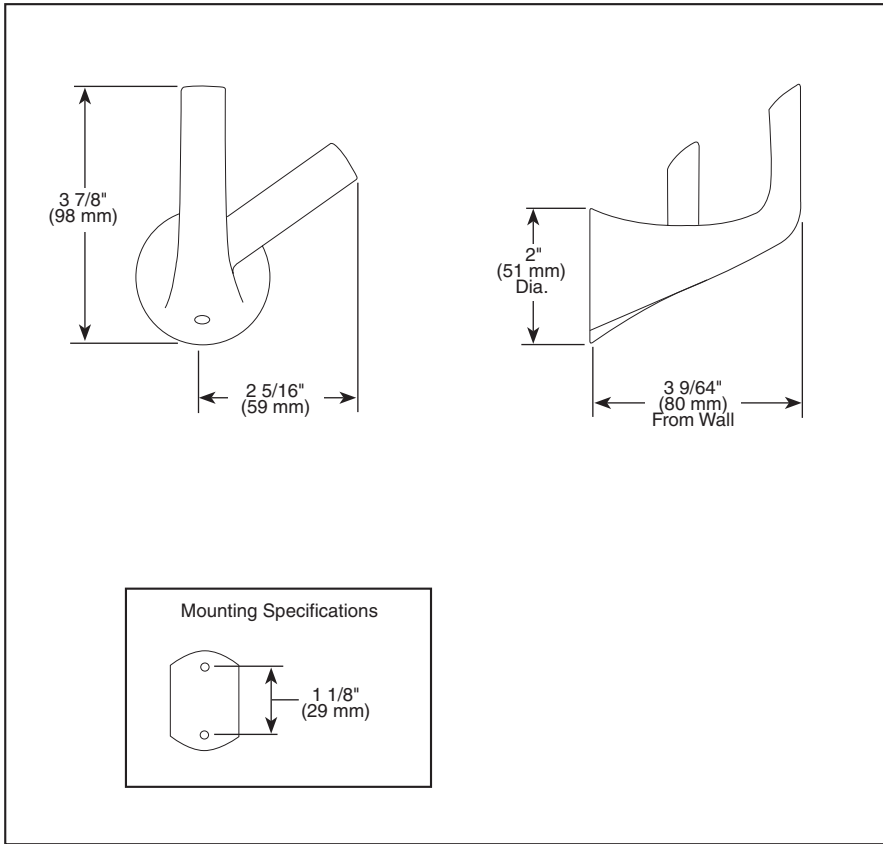
- Sotria™ Bath Collection
- Double Robe Hook



693550▲

Submitted Model No.: \_\_\_\_\_

Specific Features: \_\_\_\_\_



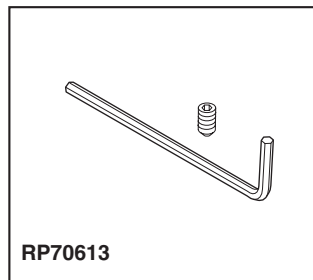
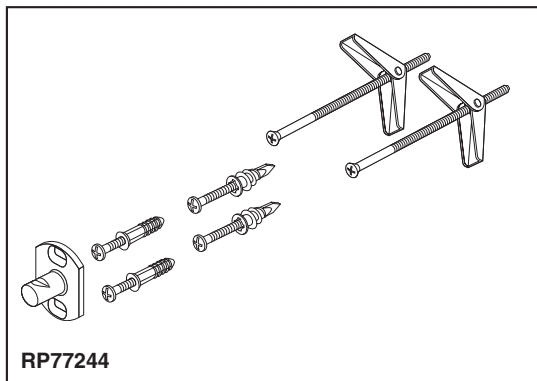
### STANDARD SPECIFICATIONS:

- Wood blocking is preferable behind all wall surfaces. If wood blocking is not available, try finding a wood stud to anchor this accessory.
- Mounting hardware and mounting instructions included with product.
- Note: Plastic anchors, screw, toggle bolts, and mounting brackets are included with the mounting hardware.

### WARRANTY

- Lifetime limited warranty on parts (other than electronic parts and batteries) and finishes: or, for commercial users, for 5 years from date of purchase.
- 5 year limited warranty on electronic parts (other than batteries); or, for commercial users, for 1 year from the date of purchase. No warranty is provided on batteries.

▲ Designate proper finish suffix



Delta reserves the right (1) to make changes in specifications and materials, and (2) to change or discontinue models, both without notice or obligation. Dimensions are for reference only. See current full-line price book or [www.brizo.com](http://www.brizo.com) for finish options and product availability.