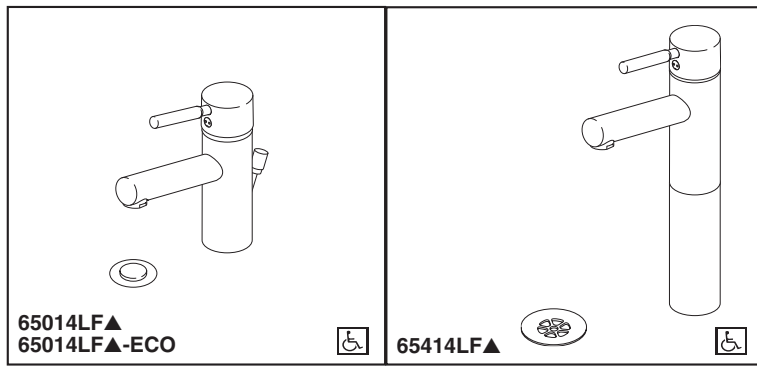


# BRIZO®

## LAVATORY FAUCETS

- Quiescence® Bath Collection
- Single Handle & Vessel Deck Mount



65014LF▲  
65014LF▲-ECO

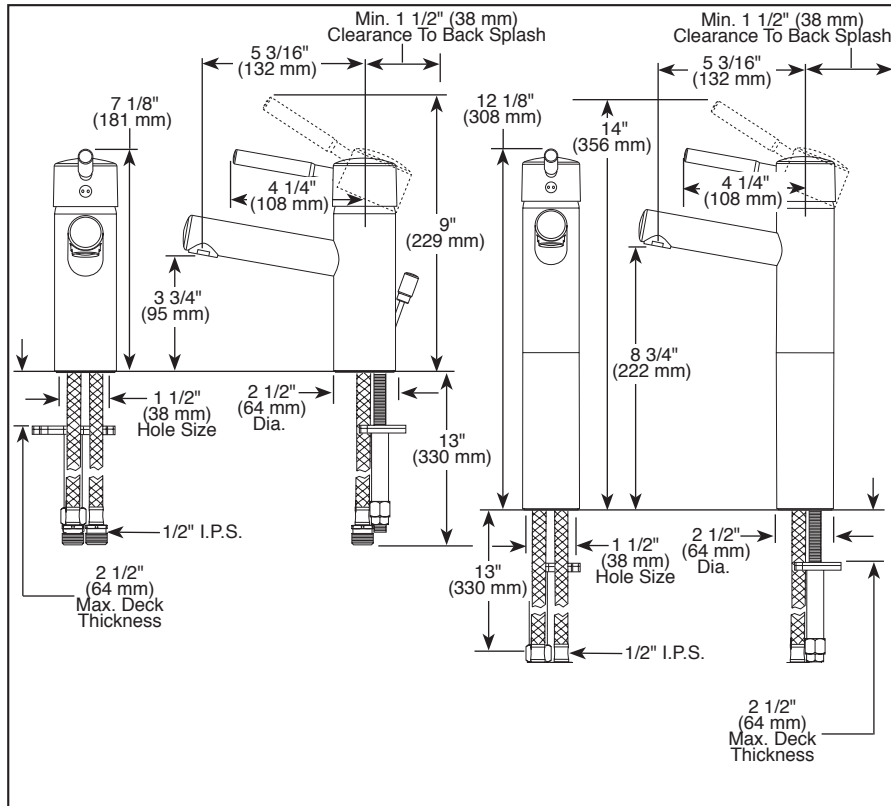




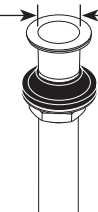


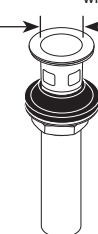
65414LF▲



Submitted Model No.: \_\_\_\_\_

Specific Features: \_\_\_\_\_



<p><b>RP72411▲</b> Grid Strainer Drain less overflow holes</p> 	<p><b>RP72413▲</b> Push Button Drain less overflow holes</p> 	<p><b>RP81627▲</b> Push Button Drain less overflow holes</p> 
<p><b>RP72412▲</b> Grid Strainer Drain (Included on 65414LF) with overflow holes</p> 	<p><b>RP72414▲</b> Push Button Drain with overflow holes</p> 	<p><b>RP81628▲</b> Push Button Drain with overflow holes</p> 

▲ Designate Proper Finish Suffix

### STANDARD SPECIFICATIONS:


- Max. 1.50 gpm @ 60 psi, 5.70 L/min @ 414 kPa
- Max. (ECO models only) 1.20 gpm @ 60 psi, 4.54 L/min @ 414 kPa
- Single hole mount
- Control mechanism shall be of the rotating ceramic cartridge type
- 65014LF metal drain has pop-up type fitting with plated flange and stopper (RP28653)
- The back edge of the faucet body must be at least 1 1/2" from the backsplash on wall in order to allow the lift rod to function properly
- 65014LF vessel deck model includes metal grid strainer with overflow (RP72412)

### WARRANTY

- Lifetime limited warranty on parts (other than electronic parts and batteries) and finishes: or, for commercial users, for 5 years from date of purchase.
- 5 year limited warranty on electronic parts (other than batteries); or, for commercial users, for 1 year from the date of purchase. No warranty is provided on batteries.



### COMPLIES WITH:

- ASME A112.18.1 / CSA B125.1
- ASME A112.18.2 / CSA B125.2
-  Indicates compliance to ICC/ANSI A117.1
- EPA WaterSense®
- Verified compliant with .25% weighted average Pb content regulations.

Brizo Kitchen & Bath Company reserves the right (1) to make changes in specifications and materials, and (2) to change or discontinue models, both without notice or obligation. Dimensions are for reference only. See current full-line price book or [www.brizo.com](http://www.brizo.com) for finish options and product availability.

BSP-L-65014LF Rev. G

Brizo Kitchen & Bath Company  
Indianapolis, Indiana 46280  
A Division of Masco Corporation of Indiana  
© 2016 Brizo Kitchen & Bath Company