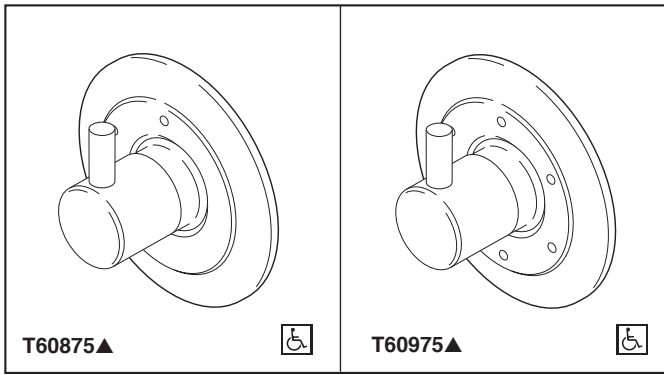


# BRIZO®

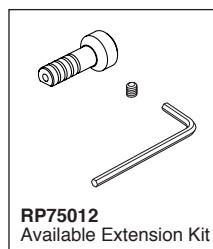
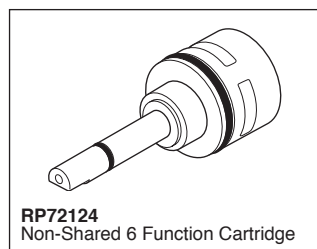
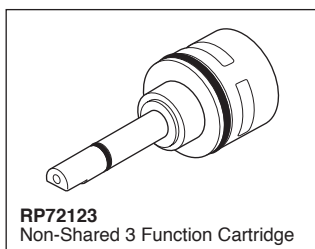
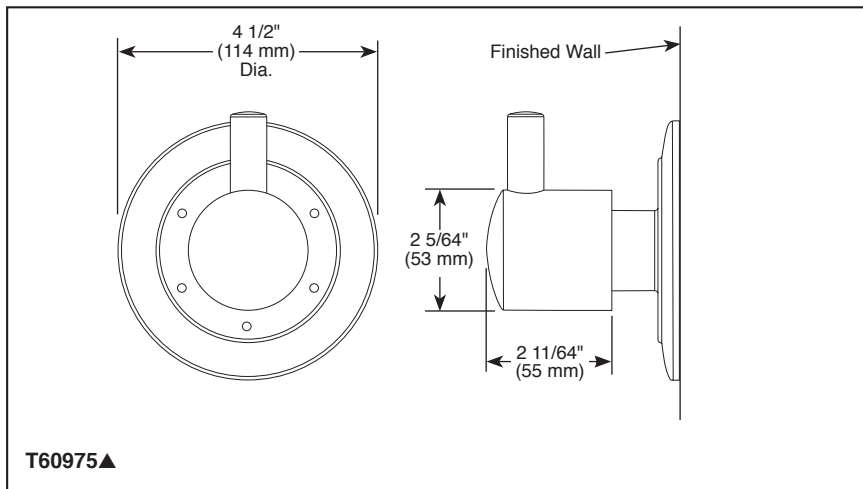
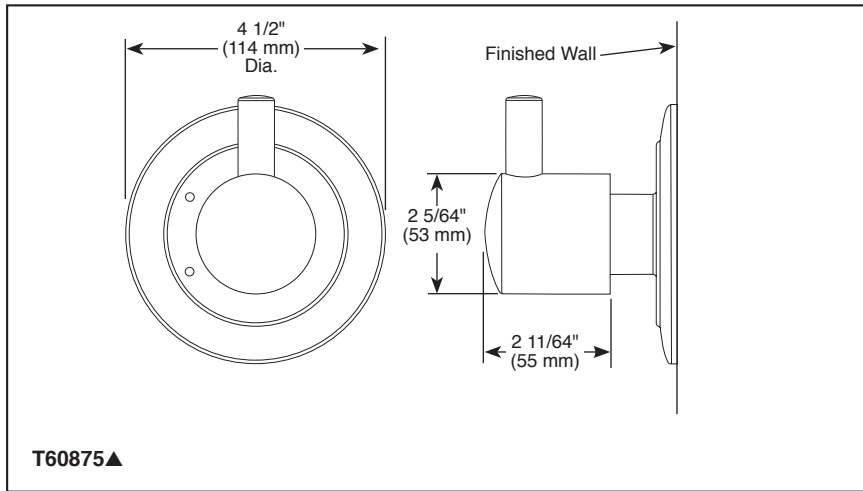
## CUSTOM SHOWER DIVERTER

- Odin™ Collection
- Three Function Diverter Trim (T60875)
- Six Function Diverter Trim (T60975)



Submitted Model No.: \_\_\_\_\_

Specific Features: \_\_\_\_\_



▲ Designate proper finish suffix

### STANDARD SPECIFICATIONS

- Three function diverter. 2 individual positions, 1 shared position
- Six function diverter. 3 individual positions, 3 shared positions
- Requires rough-in R60700 to complete installation
- Non shared 3 function cartridge (RP72123) and 6 function cartridge (RP72124) are available
- Rough extension kit (RP75012) available

### WARRANTY

- Lifetime limited warranty on parts (other than electronic parts and batteries) and finishes: or, for commercial users, for 5 years from date of purchase.
- 5 year limited warranty on electronic parts (other than batteries); or, for commercial users, for 1 year from the date of purchase. No warranty is provided on batteries.

### COMPLIES WITH:

- ASME A112.18.1 / CSA B125.1

 Indicates compliance to ICC/ANSI A117.1

Brizo Kitchen & Bath Company reserves the right (1) to make changes in specifications and materials, and (2) to change or discontinue models, both without notice or obligation. Dimensions are for reference only. See current full-line price book or [www.brizo.com](http://www.brizo.com) for finish options and product availability.

BSP-B-T60875 Rev. E

### Brizo Kitchen & Bath Company

55 E. 111th Street, Indianapolis, Indiana 46280  
350 South Edgeware Road, St. Thomas, ON N5P 4L1  
© 2018 Brizo Kitchen & Bath Company