

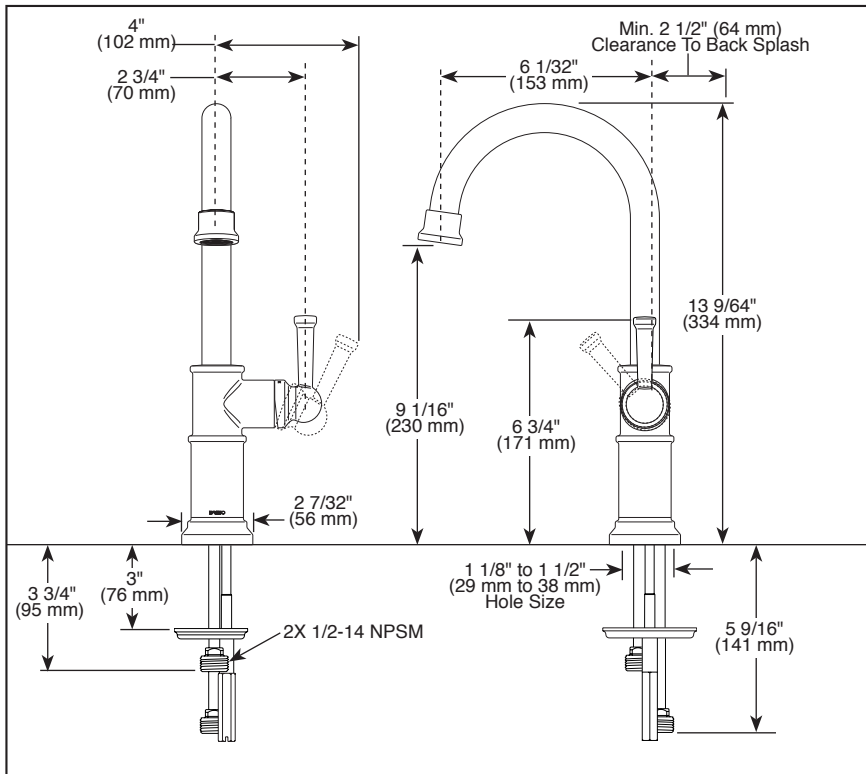


BRIZO® BAR SINK FAUCETS

- Arteso™ Collection
- Single Handle Deck Mount
- Single Hole Installation

Submitted Model No.: _____

Specific Features: _____



▲ Designate proper finish suffix


STANDARD SPECIFICATIONS:

- Solid brass fabricated body
- 360° rotating spout.
- Ceramic disc cartridge.
- 3" maximum deck thickness.
- 3/8" staggered copper supply lines with 1/2" adapters.
- ADA compliant lever handle.
- Order RP75675 for optional coordinating soap dispenser.
- Max. 1.80 gpm @ 60 PSI, 6.8 L/min @ 414 kPa

WARRANTY

- Lifetime limited warranty on parts (other than electronic parts and batteries) and finishes: or, for commercial users, for 5 years from date of purchase.
- 5 year limited warranty on electronic parts (other than batteries); or, for commercial users, for 1 year from the date of purchase. No warranty is provided on batteries.

COMPLIES WITH:

- ASME A112.18.1 / CSA B125.1
-  Indicates compliance to ICC/ANSI A117.1
- Verified compliant with .25% weighted average Pb content regulations.