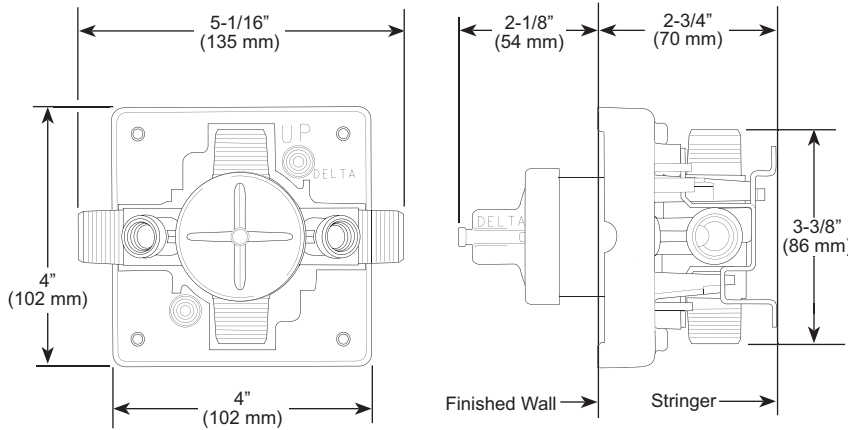


MultiChoice® Universal Rough Valve Body

TECK
COMMERCIAL

DELTA

R10000-UNWS



SPECIFICATION: (EXAMPLE)

R10700-UNWS

(R10000-UNWS with

Diverter Valve Rough-In)

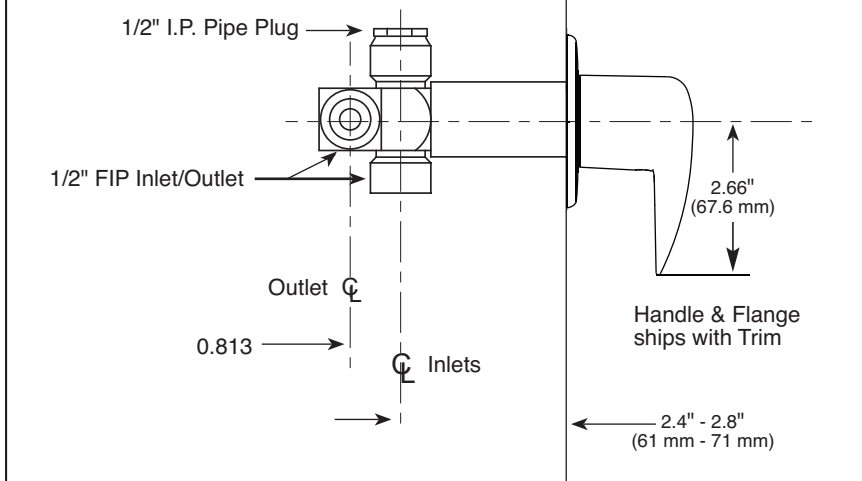
- MultiChoice® Universal Rough Valve Body (Includes Diverter Valve for Dual Showers)

R10000-UNWS

- Universal with stops.
- Forged brass body.
- Back-to-Back installation capabilities.
- Can be tested with air (200 PSI) or water (300 PSI) without valve using supplied test cap.
- Square plasterguard allows for right angle cuts.
- Thin wall mounting.
- For use with MultiChoice® Universal single or dual function trim. Cartridge ships with trim.
- 1/2" outlets and connections.

Note: "UN" indicates Universal type fitting and is 1/2" NPT male thread with 1/2" C.W.T. female sweat.

DIVERTER VALVE ROUGH-IN



DIVERTER VALVE ROUGH-IN

- For use with MultiChoice® Universal T13H and T17TH Series with diverter valve for dual showers.
- Handle and flange ships with trim.



COMPLIES WITH:

- ASME A112.18.1 / CSA B125.1

Refer to www.specselect.com for individual models.

Delta reserves the right (1) to make changes in specifications and materials, and (2) to change or discontinue models, both without notice or obligation. Dimensions are for reference only. See current full-line price book or www.specselect.com for finish options and product availability.

DSP-R10700 Rev. D