

FEATURED MODEL

441477 Bar Sink, 8" bowl depth, CINDER

ADDITIONAL MODELS

- 440202 Bar Sink, 8" bowl depth, CAFE BROWN
- 440203 Bar Sink, 8" bowl depth, METALLIC GRAY
- 440204 Bar Sink, 8" bowl depth, ANTHRACITE
- 440205 Bar Sink, 8" bowl depth, WHITE
- 441206 Bar Sink, 8" bowl depth, BISCUIT
- 441219 Bar Sink, 8" bowl depth, BISCOTTI
- 441295 Bar Sink, 8" bowl depth, TRUFFLE

Versatile dual deck design can be installed as a drop-in or undermount.

FEATURES

- Required outside cabinet: 15" (drop-in), 17" (undermount)
- 80% solid granite
- Heat resistant up to 536°F
- Unsurpassed cleanability backed by industry leading 7 patents!
- Resistant to scratches, stains and all household acids and alkali solutions
- Template provided
- Undermount clips NOT included
- 1/2" deck thickness
- Limited lifetime warranty

OPTIONAL ACCESSORIES

Cutting Board: 440226 (drop-in only)
 Sink Grid: 221012

CODE/STANDARDS COMPLIANCE

ANSI Z124.6-97
 IAPMO/UPC listed

WARRANTY

BLANCO'S SILGRANIT II Series sinks feature a LIMITED LIFETIME WARRANTY to be free of all manufacturing defects under normal use. See our complete warranty for details.

While BLANCO endeavors to provide accurate information, all dimensions are nominal, cannot be guaranteed, and are subject to change or cancellation. BLANCO assumes no responsibility for use of superseded or voided specifications.

JOB INFORMATION

Job Name: _____
 Contact: _____
 Date Specified: _____
 Specifier: _____
 Contractor: _____

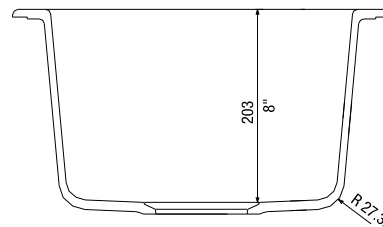
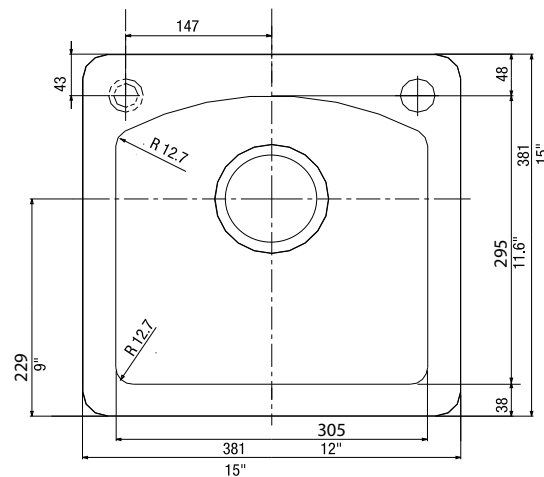


NOMINAL DIMENSIONS

Model 440205 shown

OVERALL	CUT OUT SIZE	BOWL DEPTHS	DRAIN
15" x 15"	14-1/4" x 14-1/4"	8"	3-1/2"

DXF cutout templates available on our website.



BLANCO AMERICA

800.451.5782
 www.blancoamerica.com

© 2013 BLANCO AMERICA

6/13

SPEC-003