

Product information presented here reflects conditions at time of publication. Consult factory regarding discrepancies or inconsistencies.



**MAIL TO:** P.O. BOX 16347 • Louisville, KY 40256-0347  
**SHIP TO:** 3649 Cane Run Road • Louisville, KY 40211-1961  
**TEL:** (502) 778-2731 • 1 (800) 928-PUMP • **FAX:** (502) 774-3624

**Visit our web site:**  
[zoellerpumps.com](http://zoellerpumps.com)

## REPLACEMENT PARTS LIST FOR MODELS:

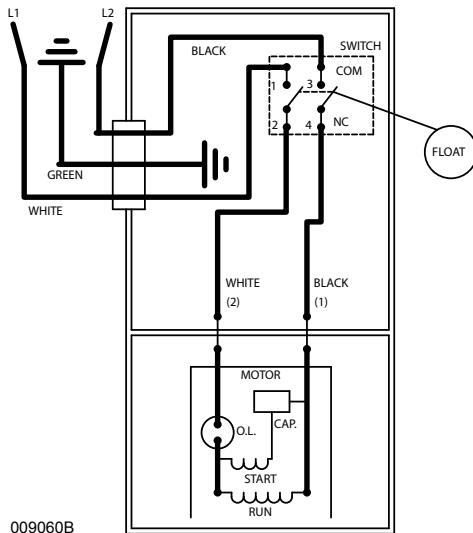
**M98 AUTOMATIC 115V**  
**D98 AUTOMATIC 230V**  
**N98 NONAUTOMATIC 115V**  
**E98 NONAUTOMATIC 230V**

Consult factory for all other models.

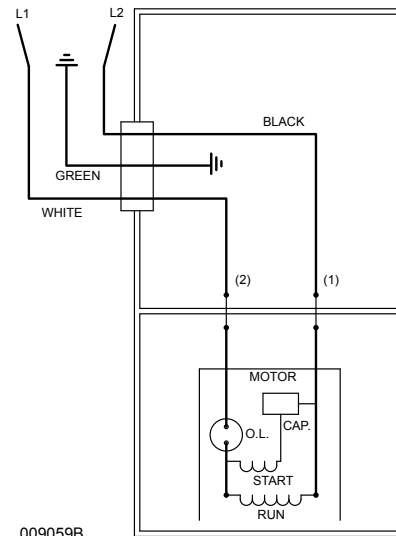
### TO ORDER REPLACEMENT PARTS:

#### PLEASE FURNISH THE FOLLOWING INFORMATION:

- Model Number.
- Part Number of Pump.
- Part Number and Description of part.



009060B  
WIRING DIAGRAM FOR MODELS  
"M98-A", "M98-B", "M98-C"  
"D98-A", "D98-B" and "D98-C"  
11/90 thru Current



009059B  
WIRING DIAGRAM FOR MODELS  
"N98-A", "N98-B", "N98-C"  
"E98-A", "E98-B" and "E98-C"  
11/90 thru Current

# REPLACEMENT PARTS LIST FOR MODELS "M98" & "D98"

See back page for "M98" and "D98" illustration.

REF. NO.	DESCRIPTION	QTY	NOTES	MODELS: M98-A			M98-B	M98-C	D98-A	D98-B	D98-C
				11/90 thru 11/95	12/95 thru 08/09	09/09 thru Current	11/90 thru 1/96	2/96 thru 08/09			
1	• Gasket,Case/Cover	1		034046	034046	034046			034046	034046	034046
2	• Clamp,Strain Relief-Red	1		004200	004200	N/A			004200	004200	N/A
3	• Seal,Cord-Asm	1		006923	006923	006923			006923	006923	006923
4	Cord Term & Seal 15'	1	3	004723	004723	004723			004735	004735	004735
5	Stator w/Screws 115V/1Ph - GE	1	4, 5	N/A	010271	010271			N/A	N/A	N/A
	Stator w/Screws 230V/1Ph - GE			N/A	N/A	N/A			N/A	010272	010272
	Stator w/Screws 115V/1Ph - EMD			010463	N/A	N/A			N/A	N/A	N/A
	Stator w/Screws 230V/1Ph - EMD			N/A	N/A	N/A			010464	N/A	N/A
	Stator w/Screws 115V/1Ph - TPIC			N/A	012084	012084			N/A	N/A	N/A
6	Rotor Asm 115/230V/1Ph - GE	1	4	N/A	010270	010270			N/A	010270	010270
	Rotor Asm 115/230V/1Ph - EMD			010463	N/A	N/A			010464	N/A	N/A
	Rotor Asm 115/1Ph - TPIC			N/A	012085	012085			N/A	N/A	N/A
7	• Seal,Mtr Hsg	1		034007	034007	034007			034007	034007	
8	• Washer,Trst-Nyl.875X.504X.050"	1		002140	002140	002140			002140	002140	
9	• Oil,Dielectric (30.5 Oz Can)	1		007051	007051	007051			007051	007051	
10	Housing,Pump-Mach "98"	1		006107	006107	150149			006107	006107	150149
11	• Seal Asm,Shaft-Blister Pak	1		267027	267027	267027			267027	267027	267027
12	Impeller "98"	1		002570	002570	002570			002570	002570	002570
13	Base	1		006333	006333	006333			006333	006333	006333
14	Case Handle & Arm "98"	1		004725	004725	004725			004725	004725	004725
15	• Plug,Test-White	2		034090	034090	034090			034090	034090	034090
16	• Arm & Seal Asm	1		004704	004704	004704			004704	004704	004704
17	Case & Switch "98"	1		004724	004724	004724			004724	004724	004724
18	• Seal,Thru Wall Term	2		003402	003402	003402			003402	003402	003402
19	Guard "1098"	1		004645	004645	004645			004645	004645	004645
20	Housing,Mtr	1		004712	004712	004712			004712	004712	004712
21	Capacitor	1		007642	007642	007642			007642	007642	007642
22	Switch Asm	1		004705	004705	004705			004705	004705	004705
23	Float-Polypropylene	1		034019	034019	034019			034019	034019	034019
24	Rod,Float-Molded "98"	1		006215	006215	006215			006215	006215	006215
25	Guide Asm,Fit Rod	1		034086	034086	034086			034086	034086	034086
26	• Sem,10-24x.375HH-SI Tc.688Wash	1		002000	002000	002000			002000	002000	002000
27	• Screw,#10-24 X.75 RHM-SI SS	12		001885	001885	001885			001885	001885	001885
28	• Screw,#6-32x.25RHM SI Tc Stlgr	1		001877	001877	001877			001877	001877	001877
29	• Screw, Stator	2		001914	001914	150099			001914	001914	150099
30	• Screw,#6-32x.438RhsItpt"1"Stizi	2		004644	004644	004644			004644	004644	004644
□	Rebuild Kit "98"	1	5	006949	006949	006949			006949	006949	006949

• Items included in Rebuild Kit.

□ Not Shown in Illustration.

## NOTES:

- 1) See FM0160 Parts Price Sheet for listing of parts prices.
- 2) "NA" indicates, not applicable.
- 3) If an "X" follows Model No., or Date Mfg. on brass ID tag, consult factory for ordering of this part.
- 4) When ordering these parts, customer must identify G.E., EMD or TPIC.
- 5) Kits are supplied with two different length screws for mounting stators. During assembly verify length and ensure screws are seated properly.

# REPLACEMENT PARTS LIST FOR MODELS "N98" & "E98"

See back page for "N98" and "E98" illustration.

REF. NO.	DESCRIPTION	QTY	NOTES	MODELS: N98-A			N98-B	N98-C	E98-A	E98-B	E98-C
				11/90 thru 11/95	12/95 thru 08/09	09/09 thru Current	11/90 thru 1/96	2/96 thru 08/09			
1	• Gasket,Case/Cover	1		034046	034046	034046			034046	034046	034046
2	• Clamp,Strain Relief-Red	1		004200	004200	N/A			004200	004200	N/A
3	• Seal,Cord-Asm	1		006923	006923	006923			006923	006923	006923
4	Cord Term & Seal 15' NA	1	3	004736	004736	004736			004737	004737	004737
5	Stator w/Screws 115V/1Ph - GE	1	4, 5	N/A	010271	010271			N/A	N/A	N/A
	Stator w/Screws 230V/1Ph - GE			N/A	N/A	N/A			N/A	010272	010272
	Stator w/Screws 115V/1Ph - EMD			010463	N/A	N/A			N/A	N/A	N/A
	Stator w/Screws 230V/1Ph - EMD			N/A	N/A	N/A			010464	N/A	N/A
	Stator w/Screws 115V/1Ph - TPIC			N/A	012084	012084			N/A	N/A	N/A
6	Rotor Asm 115/230V/1Ph - GE	1	4	N/A	010270	010270			N/A	010270	010270
	Rotor Asm 115/230V/1Ph - EMD			010463	N/A	N/A			010464	N/A	N/A
	Rotor Asm 115/1Ph - TPIC			N/A	012085	012085			N/A	N/A	N/A
7	• Seal,Mtr Hsg	1		034007	034007	034007			034007	034007	
8	• Washer,Trst-Nyl.875X.504X.050"	1		002140	002140	002140			002140	002140	002140
9	• Oil,Dielectric (30.5 Oz Can)	1		007051	007051	007051			007051	007051	007051
10	Housing,Pump-Mach "98"	1		006107	006107	150149			006107	006107	150149
11	• Seal Asm,Shaft-Blister Pak	1		267027	267027	267027			267027	267027	267027
12	Impeller "98"	1		002570	002570	002570			002570	002570	002570
13	Base	1		006333	006333	006333			006333	006333	006333
14	Cover Handle "98"	1		002580	002580	002580			002580	002580	002580
15	• Plug,Test-White	2		034090	034090	034090			034090	034090	034090
16	• Seal,Thru Wall Term	2		003402	003402	003402			003402	003402	003402
17	Housing,Mtr	1		004712	004712	004712			004712	004712	004712
18	Capacitor	1		007642	007642	007642			007642	007642	007642
19	• Screw,#10-24 X.75 RHM-SI SS	12		001885	001885	001885			001885	001885	001885
20	• Sem,10-24x.375HH-SI Tc.688Wash	1		002000	002000	002000			002000	002000	002000
21	• Screw, Stator	2		001914	001914	150099			001914	001914	150099
22	• Screw,#6-32x.25RHM SI Tc Stlgr	1		001877	001877	001877			001877	001877	001877
▣	Rebuild Kit "98"	1	5	006949	006949	006949			006949	006949	006949

- Items included in Rebuild Kit.
- ▣ Not Shown in Illustration.

**NOTES:**

- 1) See FM0160 Parts Price Sheet for listing of parts prices.
- 2) "NA" indicates, not applicable.
- 3) If an "X" follows Model No., or Date Mfg. on brass ID tag, consult factory for ordering of this part.
- 4) When ordering these parts, customer must identify G.E., EMD or TPIC.
- 5) Kits are supplied with two different length screws for mounting stators. During assembly verify length and ensure screws are seated properly.

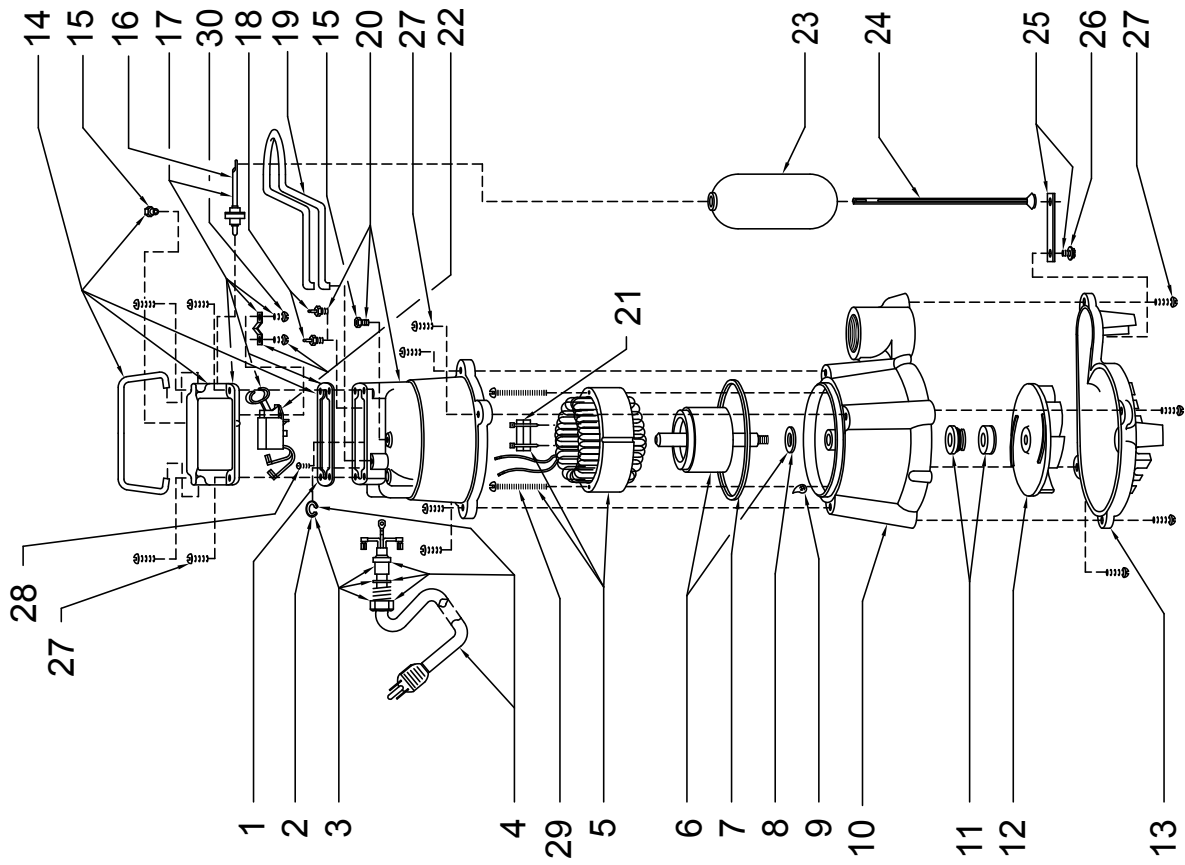


MAIL TO: P.O. BOX 16347 • Louisville, KY 40256-0347  
 SHIP TO: 3649 Cane Run Road • Louisville, KY 40211-1961  
 (502) 778-2731 • 1 (800) 928-PUMP • FAX (502) 774-3624

Visit our web site:  
[zoellerpumps.com](http://zoellerpumps.com)

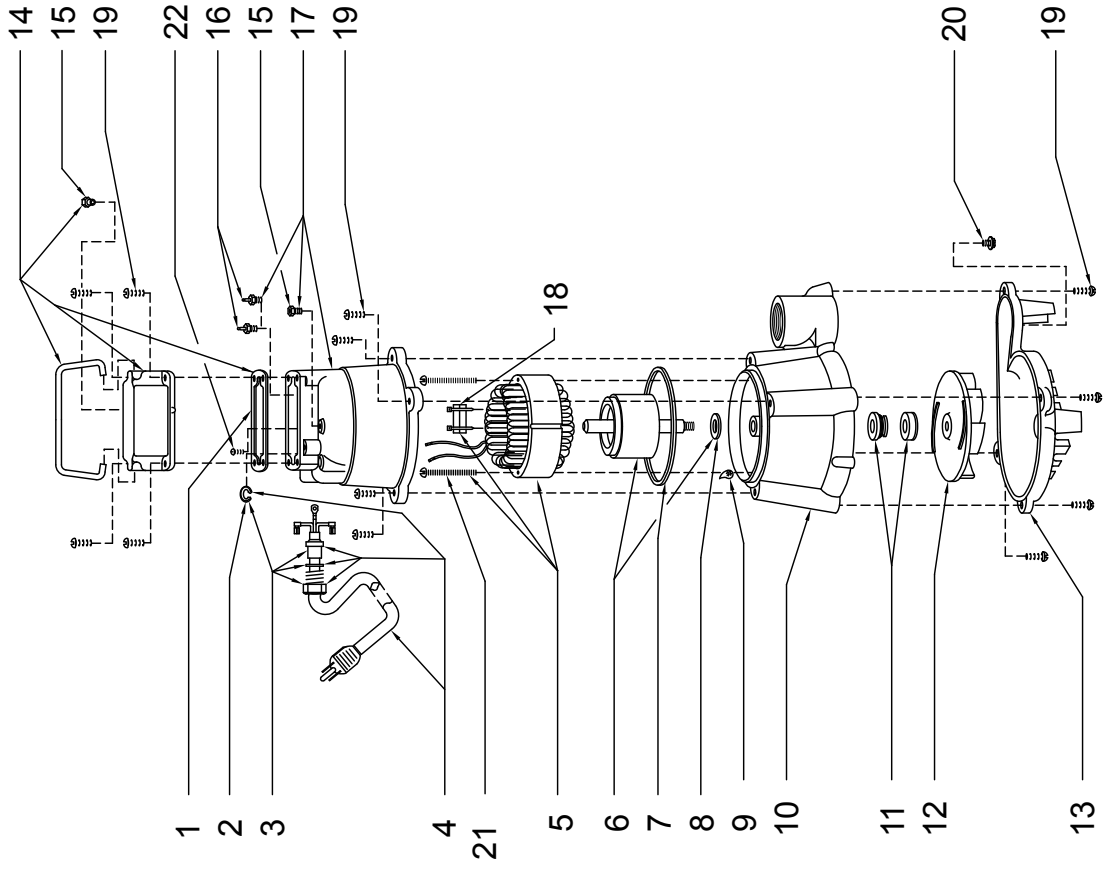
Trusted. Tested. Tough.™

REPLACEMENT PARTS ILLUSTRATION FOR MODELS "M98" AND "D98"



SK1112

REPLACEMENT PARTS ILLUSTRATION FOR MODELS "N98" AND "E98"



SK1113