

SPEAKMAN SAFETY PRODUCTS

Installation, Maintenance & Operation Instructions

SEF-9200 EYESAVER™ SERVICE SINK UNIT

DESCRIPTION

The SEF-9200 Eyesaver™ service sink unit is an independently operated wall mounted eyewash which attaches to a Speakman SC-5811 service sink fitting (not included). The eyewash offers twin sprays and flip top dust covers.

SPECIFICATIONS

OPERATION: Eyewash and sink fitting operate independently of each other

SUPPLY: Speakman SC-5811 service sink fitting (not included)

FINISH: Rough chrome plated brass

EYEWASH ACTIVATION: Squeeze valve with an automatic stay open device

EYEWASH SPRAYS: Dual spray faces

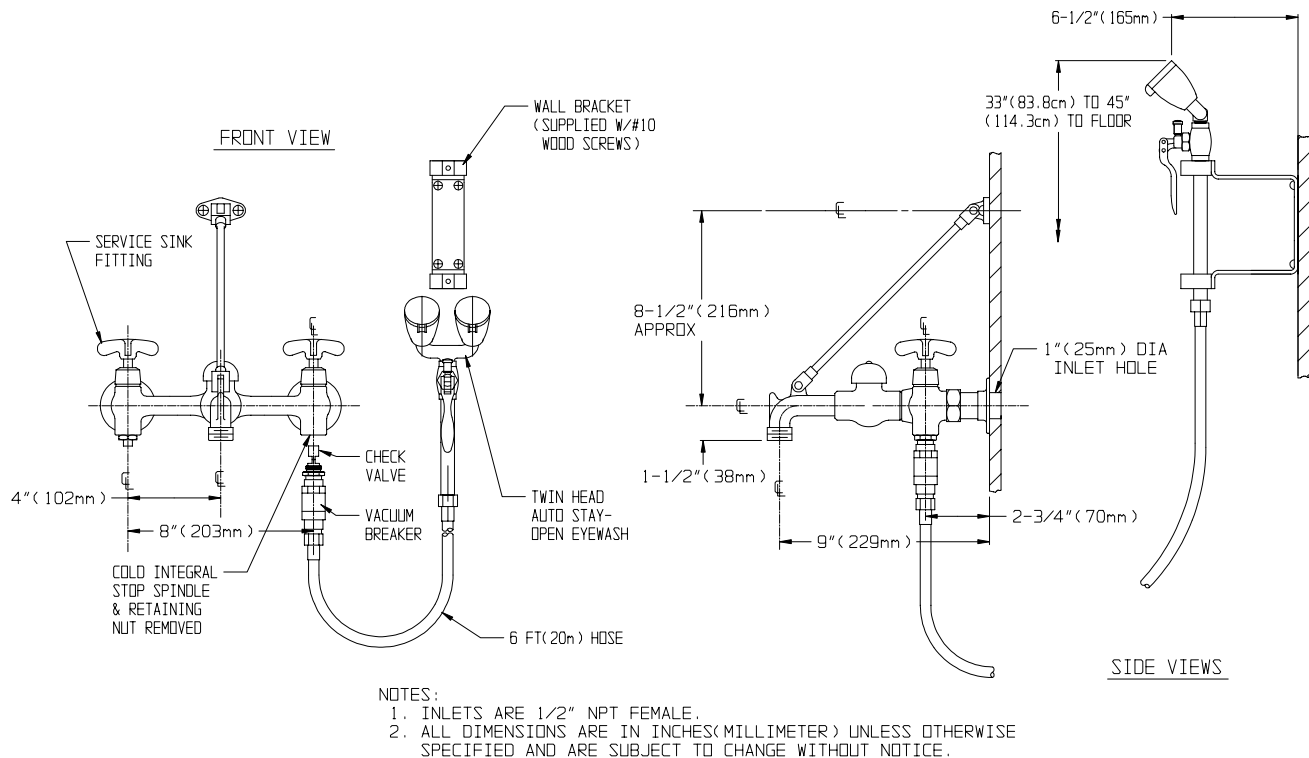
EYEWASH FLOW RATE: 2.4 GPM at 30 psi. flowing. See flow data chart on back for additional information.

PRESSURE: 30 psi. minimum flow pressure, 125 psi. maximum static pressure

APPROVALS: Meets ANSI Z358.1

SHIPPING WEIGHT: 5.7 LBS.

Note- The SEF-9200 Eyesaver™ service sink unit and the SC-5811-RCP service sink fitting can be purchased together as a SEF-9000 Eyesaver™ service sink fitting.



SPEAKMAN®

PO BOX 191 Wilmington, DE 19899

Phone 800-537-2107 Fax 800-977-2747

www.speakmancompany.com

11/02
92-2161

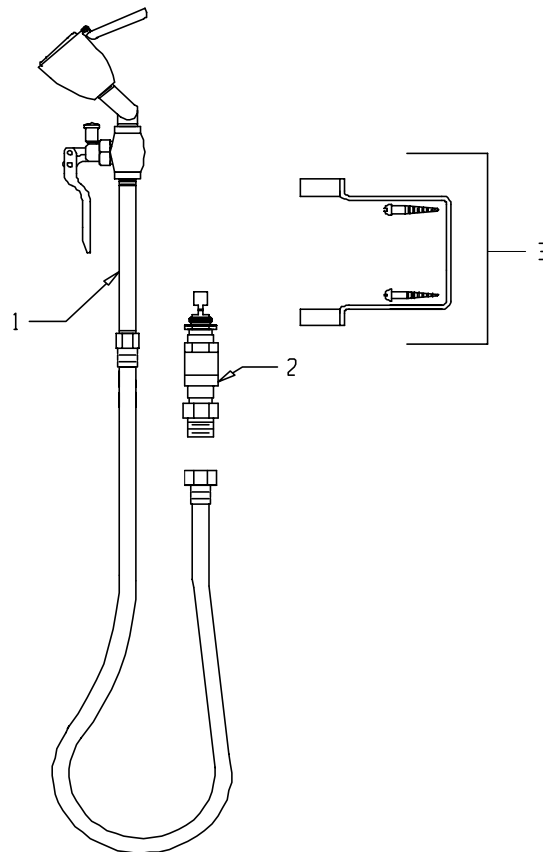
FLOW DATA

FLOW PRESSURE PSI (BAR)	30 (2.07)	40 (2.76)	50 (3.45)	60 (4.14)	70 (4.83)	80 (5.52)
EYEWASH ONLY: FLOW RATE GPM (LPM)	2.4 (9.1)	2.8 (10.6)	3.0 (11.4)	3.2 (12.1)	3.2 (12.3)	3.3 (12.6)
EYEWASH W/SINK FITTING FULL ON: FLOW RATE GPM (LPM)	2 (7.6)	2.4 (9.2)	2.7 (10.4)	3.0 (11.2)	3.1 (11.8)	3.2 (12.2)

IMPORTANT: The supply line for plumbed eyewash units shall provide an uninterrupted supply of flushing fluid at a minimum of 30 psi of flowing pressure. If a shut off valve is installed in the cold supply line of the sink fitting (which supplies the eyewash) for maintenance purposes, provisions shall be made to prevent unauthorized shut off.

PACKING LIST

Item	Description	Qty.	Item	Description	Qty.
1	Eyewash Assembly	1	3	Wall Bracket Group	1
2	Vacuum Breaker/Housing Assembly	1			



SPEAKMAN®

PO BOX 191 Wilmington, DE 19899

Phone 800-537-2107 Fax 800-977-2747

www.speakmancompany.com

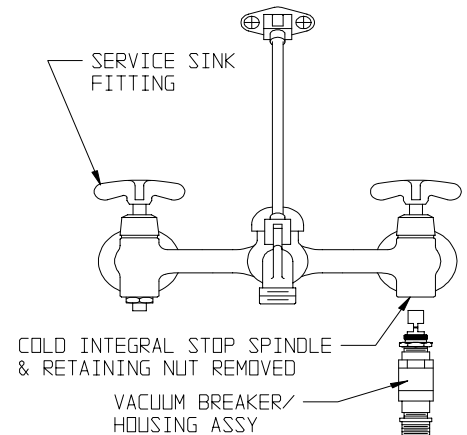
11/02
92-2161

INSTALLATION INSTRUCTIONS

Step 1: Sink Fitting Mounting Instructions- If sink fitting is not already installed, see separate installation instruction sheet located in the service sink box and install fitting.

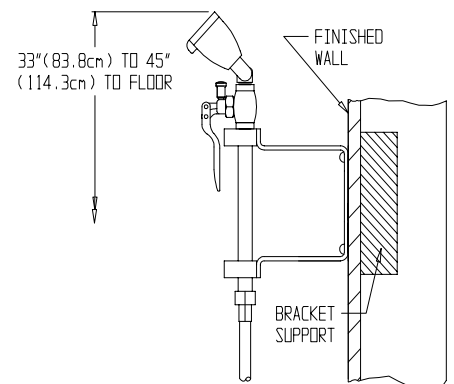
Step 2: Eyewash Mounting Instructions-

- a. With the cold water supply turned off, remove the cold stop spindle/nut from the sink fitting located on the cold water supply lines side of the fitting.
- b. Unscrew hose assembly from the eyewash vacuum breaker/housing assembly and set aside. Also remove protective sleeve from assembly.
- c. Lubricate the o-ring of the vacuum breaker/housing assembly with o-ring lube. Screw the assembly into the cold stop location of the sink fitting. Tighten with a wrench.
- d. Screw the hose assembly back onto the eyewash vacuum breaker. Hand tighten then wrench tighten $\frac{1}{2}$ to 1 turn.
- e. Place eyewash valve assembly into eyewash bracket.



Step 3: Eyewash Bracket Mounting Instructions- Bracket mounting location must be properly supported. Do not fasten bracket to a vertical wall stud. See the roughing-in for location requirements.

- a. Taking the eyewash/bracket, choose an accessible location to mount the bracket with no obstructions that may inhibit the immediate use of the unit. Make sure the location allows the hose to hang freely with no kinks.
- b. Once the location has been chosen, use a level and properly position the bracket against the wall. Mark the (4) mounting holes. Remove eyewash valve assembly from bracket.
- c. Drill necessary clearance and/or pilot holes for proper mounting hardware. If the installation is using a wood bracket support, (4) wood screws are provided. Fasten the bracket to the wall.
- d. Place eyewash valve assembly in bracket.
- e. Make sure the hose is hanging freely, with no twists. If the hose is hanging in an undesirable area, use the hose clip supplied to reposition it to a more desirable area.



Step 4: Unit Flushing-

- a. After the installation is complete, turn the hot and cold water supplies to sink fitting on and check for leaks.
- b. Turn both hot & cold control valves of the sink fitting FULL on to flush the system. Turn valves off.
- c. Taking the eyewash unit from the wall bracket, point the unit down in the sink and test unit. Place the unit back in the bracket.

IMPORTANT: The supply line for plumbed eyewash units shall provide an uninterrupted supply of flushing fluid at a minimum of 30 psi of flowing pressure. If a shut off valve is installed in the cold supply line of the sink fitting (which supplies the eyewash) for maintenance purposes, provisions shall be made to prevent unauthorized shut off.

OPERATION

Note- The sink fitting does not have to be turned on for the eyewash to operate.

Eyewash- The eyewash is activated by squeezing the handle until it locks into the ON position. Water will discharge from the twin spray outlets, and continue to flow until the handle is squeezed again, the stay-open plunger is pulled and held while the handle is released.

The flow of the individual spray heads is controlled by built-in flow controls. Each spray assembly is tested for flow and alignment in the factory.

TESTING PROGRAM

ANSI Z358.1 requires that all emergency equipment shall be tested weekly to verify proper operation and inspected annually to assure conformance with ANSI Z358.1 - 1998 requirement.

MAINTENANCE (CARE and CLEANING)

The eyewash valve has a rubber seat washer, which may require periodical maintenance. The eyewash unit can be cleaned by using mild soap and warm water. Rinse thoroughly and dry immediately with a soft, clean cloth for best results.

REPAIR PARTS LISTING

Part or Group Number	Description	Refer to Packing List Figure
RPG38-0390	Yellow spray head assembly	Part of item 1
RPG45-0033	Rubber seat washer and screw	Part of item 1