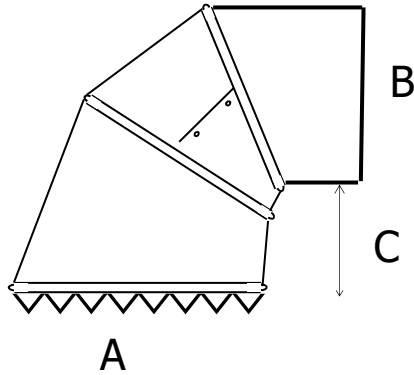


## ADHESIVE ADJUSTABLE TOP TAKEOFF TA30



Adhesive ring with adjustable collar

A	B	C	GA
B+1"	4"-8"	2"	28, 26

Galvanized Steel, G30/40 coating standard.

3 Section adjustable collar with 1" Adhesive Ring.

Riveted construction.

Round opening tapered.

Superb airflow characteristics.

### PART NUMBER DESIGNATIONS

**TA30xx**

**XX = Round Opening Diameter (B)**

PROJECT: \_\_\_\_\_ COMPANY: \_\_\_\_\_ DATE : \_\_\_\_\_

LOCATION: \_\_\_\_\_ SUBMITTED BY: \_\_\_\_\_