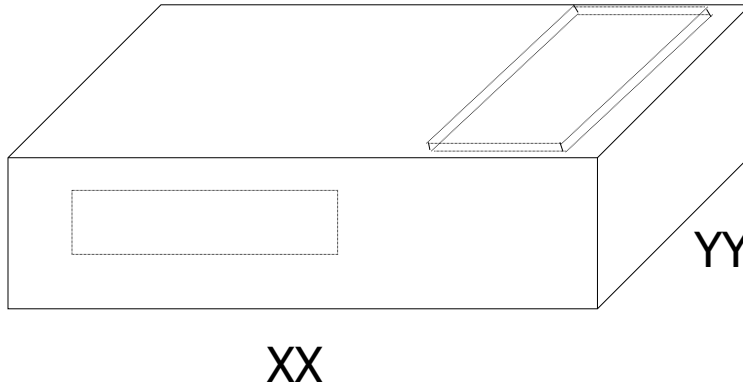


FURNACE SUPPORT BOXES - CA40



Solid = 12"H
Cutout Style = 10"H

YY Standard 26GA Galvanized
Pittsburg lock seams
Optional Drop cutout and 5"
filter tray shown

CONFIGURATIONS

Solid: **CA40xxyy**
Solid w/Filter Tray: **CA40xxyyz**
Solid w/Drop Cutout: **CA40xxyyaabbz**

Where:

xx = Length (inches)
yy = Depth (inches)
z = Filter size (inches)
aa = Cutout Length (inches)
bb = Cutout Width (inches)

Example: CA40362824105 36x28-10"H Support Box
w/24x10 Cutout and 5" Filter Tray

Options:

24GA, 26GA Standard
Drop Cutout
Filter Tray up to 5" Filter

| | | |
|-----------------|---------------------|--------------|
| PROJECT: _____ | COMPANY: _____ | DATE : _____ |
| LOCATION: _____ | SUBMITTED BY: _____ | |