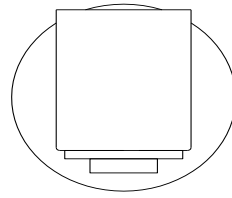
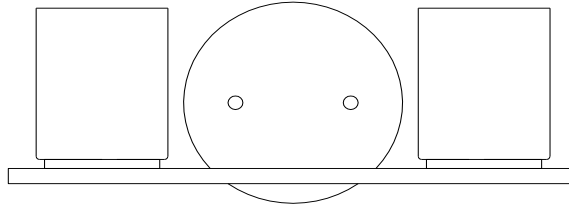


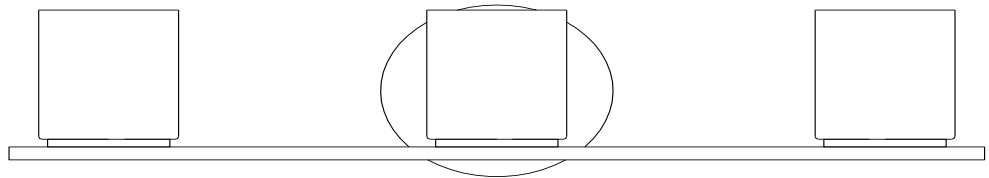
PARK HARBOR™



Skimino VANITY LIGHT



PHVL3101BN/PC
PHVL3102BN/PC
PHVL3103BN/PC



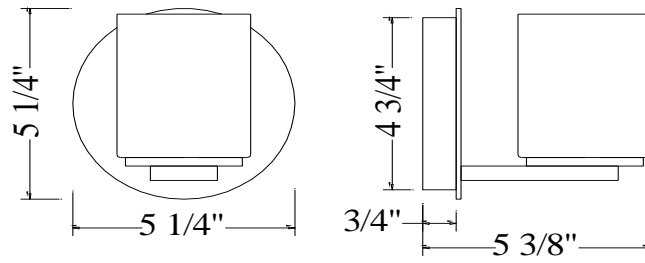
- 1,2 or 3- Light Vanity in Brushed Nickel or Polished Chrome
- Etched white inside/clear outside glass
- No special tools needed for assembly
- Dimmable: YES
- Compatible Dimmers - LUTRON: MACL-153M/DVL-153P/SCL-153P, LEVITON: IPL06-10Z/6674-POW
- Mount Way: Mount up & down
- ETL Listed: Yes
- ETL Rating: Damp location
- Wattage:

PHVL3101BN/PC: Uses one 5W G9 led lamp max

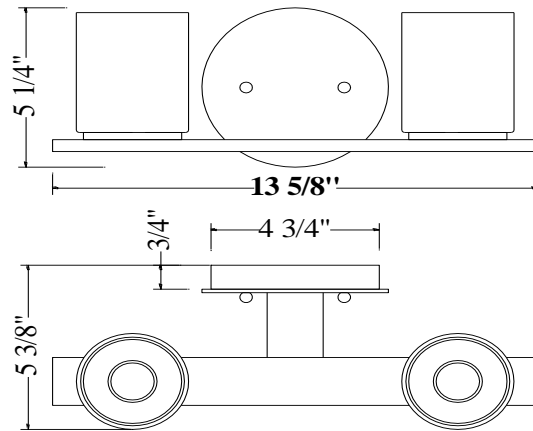
PHVL3102BN/PC: Uses two 5W G9 led lamp max

PHVL3103BN/PC: Uses three 5W G9 led lamp max

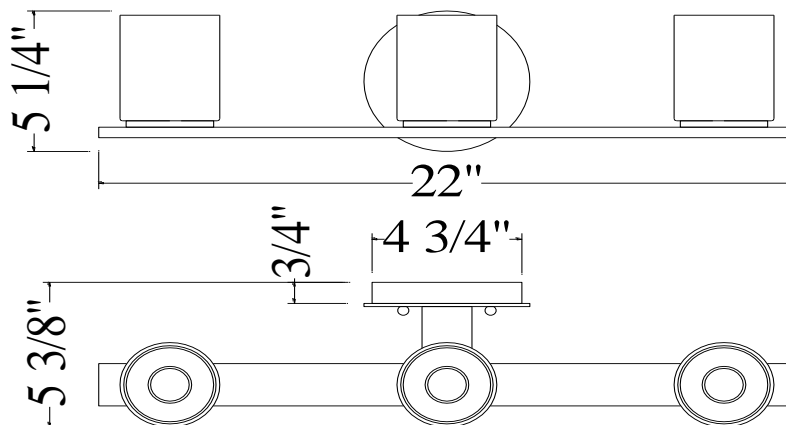
PARK HARBOR™



PHVL3101BN/PC



PHVL3102BN/PC



PHVL3103BN/PC