

## 36LF Series

Model PR-LF - Pressure Reducing Valve

### LEAD FREE



Job Name:	
Job Location:	
Engineer:	
Contractor:	
Tag:	
PO#:	
Rep:	
Wholesale Dist.:	

### DESCRIPTION

**Apollo® Model PR-LF (36LF Series) Pressure Reducing Valves** are designed to protect residential and commercial water distribution systems by controlling excessive pressures. The valves are built for long reliable service with proven ASTM grade materials including a lead free\* bronze body and stainless steel strainer.

### FEATURES

- Lead Free\* AB 1953 Certified
- Corrosion Resistant Bronze Body and Bonnet
- 100% Factory Tested, Preset to 50 psi (-01)
- Control Pressure Ranges:  
10-35 psi, 25-75 psi (Standard), 75-125 psi
- Integral SS Strainer
- Balanced Piston Design
- Internal Thermal Expansion Bypass
- Multiple Connection Options
- Optional Pressure Gauge or Tapping
- **100% Manufactured in USA**

### APPROVALS

- NSF/ANSI 372 Lead Free
- ASSE 1003
- CSA B356

### OPTIONS

- (P) - Tapped w/ Plug
- (G) - Tapped w/ Gauge
- (02) - 10-35 psig
- (03) - 75-125 psig
- (36) - with Standard Material for Non-Potable Applications

### STANDARD MATERIALS LIST

<b>BODY</b>	C89836 Lead Free* Bronze
<b>COVER</b>	Bronze, ASTM B584
<b>DIAPHRAGM</b>	FDA Grade Buna W/ Polyester
<b>SEAT DISC</b>	FDA Grade EPDM
<b>STEM</b>	C27450 Lead Free* Brass
<b>SPRING</b>	Stainless Steel
<b>O-RINGS</b>	NSF Grade EPDM

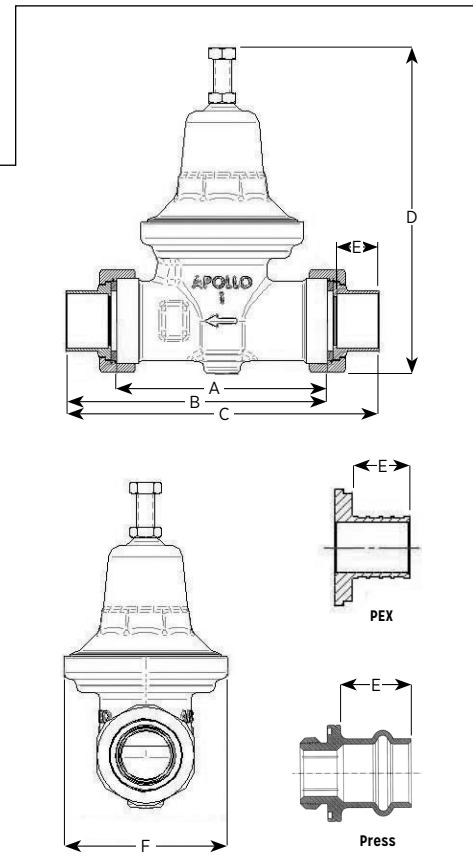
### PERFORMANCE RATING

- Maximum Supply Pressure up to 300 psig
- Temperature Range 33 °F - 180 °F

### DIMENSIONS

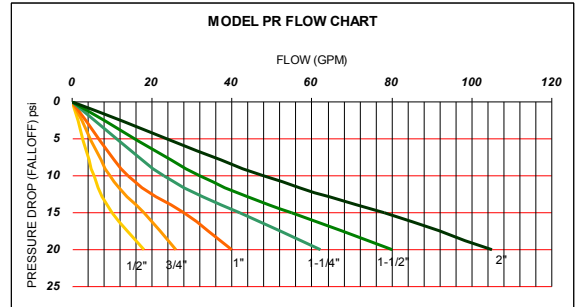
SIZE (IN.)	CONNECT TYPE	DIMENSIONS (IN.)						WT. (UNION) LB. EACH
		A	B	C	D	E	F	
1/2"	THREAD	4	4-7/8	5-5/8	5-7/8	5/8	2-3/4	3.5
	SOLDER	4	4-7/8	5-5/8	5-7/8	1/2	2-3/4	3.4
	PEX	4	5	5-3/4	5-7/8	5/8	2-3/4	3.3
	CPVC	4	4-5/8	5-1/4	5-7/8	1/2	2-3/4	3.1
3/4"	THREAD	3-7/8	4-7/8	5-5/8	5-7/8	5/8	2-3/4	3.4
	SOLDER	3-7/8	4-7/8	5-5/8	5-7/8	3/4	2-3/4	3.3
	PEX	3-7/8	5	5-3/4	5-7/8	5/8	2-3/4	3.2
	CPVC	3-7/8	4-7/8	5-5/8	5-7/8	5/8	2-3/4	3
1"	THREAD	4-3/8	5-1/2	6-3/8	6-7/8	5/8	3-3/8	4.5
	SOLDER	4-3/8	5-1/2	6-3/8	6-7/8	5/8	3-3/8	4.4
	PEX	4-3/8	5-1/2	6-5/8	6-7/8	7/8	3-3/8	4.3
	CPVC	4-3/8	5-3/4	7	6-7/8	3/4	3-3/8	4
1-1/4"	THREAD	5-3/8	6-1/2	7-1/2	8-7/8	7/8	4	10.2
	SOLDER	5-3/8	6-5/8	7-3/4	8-7/8	1	4	10.1
1-1/2"	THREAD	5-3/8	6-5/8	7-7/8	8-7/8	3/4	4	10.4
	SOLDER	5-3/8	6-3/4	8	8-7/8	1-1/8	4	10.3
2"	THREAD	7-1/8	8-1/2	9-7/8	11-1/2	1	5-3/4	22.5
	SOLDER	7-1/8	8-7/8	10-1/2	11-1/2	1-3/8	5-3/4	22.4

Nominal dimensions are shown. Allowances must be made for manufacturers' tolerances.



### FLOW CAPACITY

PIPE SIZE	FALL-OFF* (PSI)	PRESSURE DIFFERENTIAL (PSI)			PIPE SIZE	FALL-OFF* (PSI)	PRESSURE DIFFERENTIAL (PSI)		
		25	50	75			25	50	75
1/2"	5	1.7	2	2.3	1-1/4"	5	8.5	10	11.5
	10	4.3	5	5.8		10	19.6	23	26.5
	15	8.5	10	11.5		15	35.7	42	48.3
	20	15.3	18	20.7		20	53	62	71
3/4"	5	3.4	4	4.6	1-1/2"	5	12	14	16
	10	7.7	9	10.4		10	27	32	37
	15	14.5	17	19.6		15	48	56	64
	20	14.5	17	19.6		20	68	80	92
1"	5	5.1	6	6.9	2"	5	15	18	21
	10	11.9	14	16.1		10	39	46	53
	15	22.1	26	29.9		15	66	78	90
	20	34	40	46		20	94	110	127



Note: Flow curves are based on static conditions of 100psi inlet pressure and 50 psi outlet pressure.  
 Pressure differential is the difference between the supply pressure and adjusted outlet pressure measured in the static (closed) condition.  
 Pressure fall-off is the decrease in downstream regulated pressure as the flow increases.

### PART NUMBER MATRIX

36LF 36	X	X	X	X	X	X
SERIES	CONNECTION	OPTION	SIZE	GAUGE	PRESSURE RANGE	OPTION
36LF (LEAD FREE)	1 - SINGLE UNION NPT	0 - NO OPTION	3 - 1/2"	0 - NO GAUGE	1 - 25-75 PSIG	PR- PRESS
36	2 - NO UNION NPT	C - CPVC TAILPIECE	4 - 3/4"	P - W/ GAUGE PORT	2 - 10-35 PSIG	(APPLIES TO MODELS 36-20X
	3 - SINGLE UNION SOLDER X NPT	S - SEALED CAGE*	5 - 1"	G - W/ GAUGE	3 - 75-125 PSIG	AND 36LF20X ONLY)
	4 - DOUBLE UNION NPT	X - PEX F1807 TAILPIECE	6 - 1-1/4"			
	5 - DOUBLE UNION SOLDER		7 - 1-1/2"			
	6 - SINGLE UNION METER X NPT		8 - 2"			
	8 - DOUBLE UNION CPVC					
	9 - DOUBLE UNION PEX F1807					

\*S option = Sealed cage with stainless steel adjusting screw for vault installation.

### MODEL NUMBER MATRIX

PR	X	X	X	X	X	X	
	UNION	GAUGE	PRESSURE RANGE	MISC	SIZE	CONNECTION	LEAD FREE
	BLANK - SINGLE UNION	BLANK - NO GAUGE	BLANK - 25-75 PSIG	BLANK - NO OPTION	12 - 1/2"	BLANK - FNPT X FNPT	LF - LEAD FREE
	D - DOUBLE UNION	P - W/ GAUGE PORT	L - 10-35 PSIG	A - SEALED CAGE	34 - 3/4"	<b>SINGLE UNION ONLY</b>	BLANK - NON-LEAD FREE
	T - NO UNION	G - W/ GAUGE	H - 75-125 PSIG		1 - 1"	BLANK - FNPT X FNPT	
					114 - 1-1/4"	S - SOLDER X FNPT	
					112 - 1-1/2"	C - CPVC X FNPT	
					2 - 2"	X - PEX F1807 X FNPT	
						PR - PRESS X FNPT	
						<b>DOUBLE UNION ONLY</b>	
						S - SOLDER X SOLDER	
						C - PVC X CPVC	
						X - PEX F1807 X PEX F1807	
						B - BSPT X BSPT	
						SC - SOLDER X CPVC	
						SX - SOLDER X PEX F1807	
						CX - CPVC X PEX F1807	
						PR - PRESS X PRESS	